

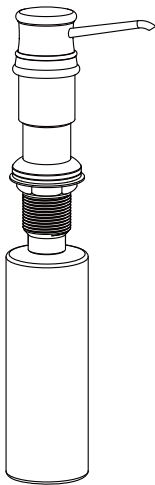
# Installation Instruction

## Stainless Steel Soap Dispenser

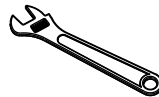


### Before Your Installation

Check to make sure you have the following parts indicated below:



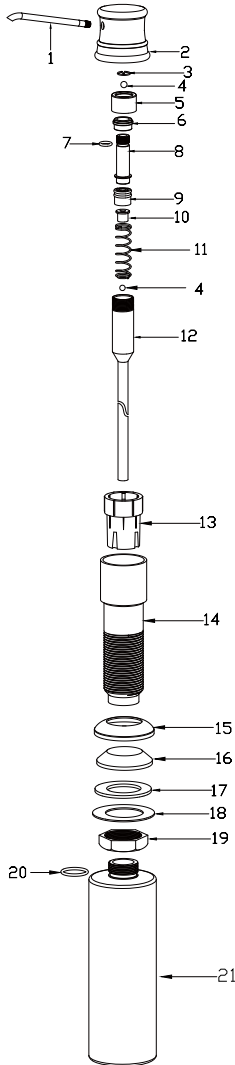
### Tools You Will Need



Adjustable wrench

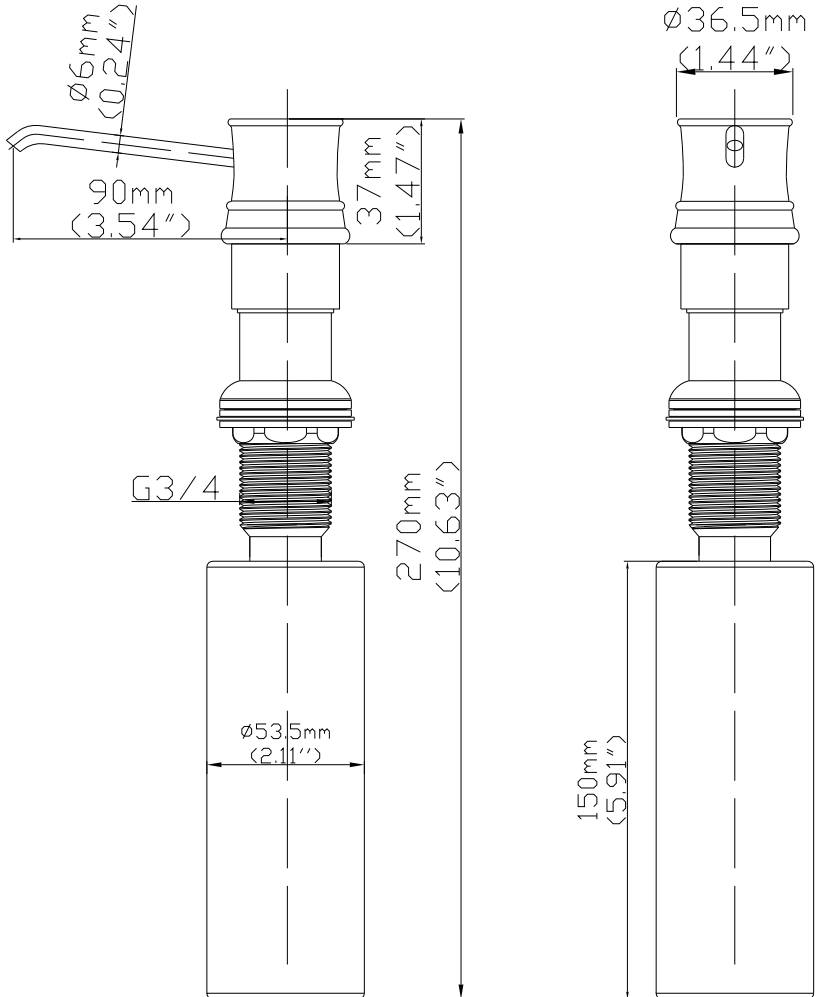
# Replacement Parts

Keep this manual for ordering replacement parts.



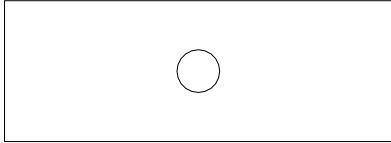
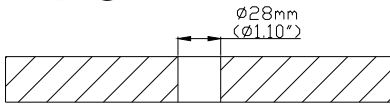
NO	NAME
1.	Tube
2.	Pump cover
3.	Spring ring
4.	Round bead
5.	Connector
6.	O-ring for tie-in
7.	O-ring
8.	Plunger
9.	Sealing part
10.	Anti-friction gasket
11.	Spring
12.	Straw
13.	Plastic cover
14.	Connector rod
15.	Flange
16.	Plastic part under flange
17.	Washer
18.	Stainless steel washer
19.	Hexagon nut
20.	O-ring
21.	Tank

# Product Dimension Drawing

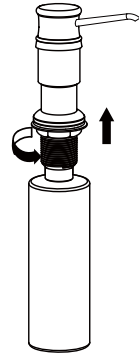


# Faucet Installation Procedures

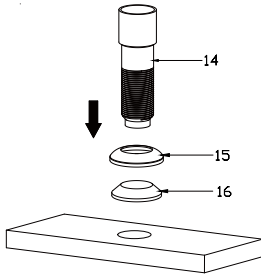
step ①



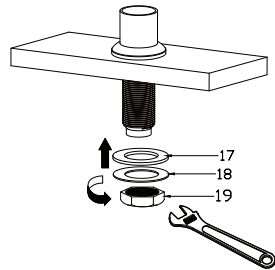
step ②



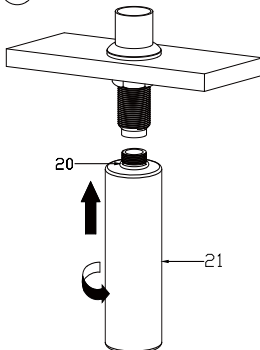
step ③



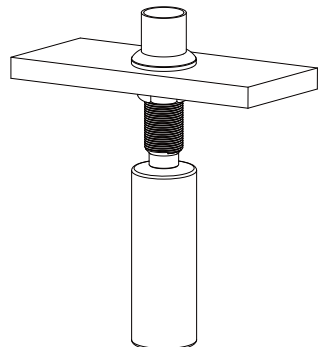
step ④



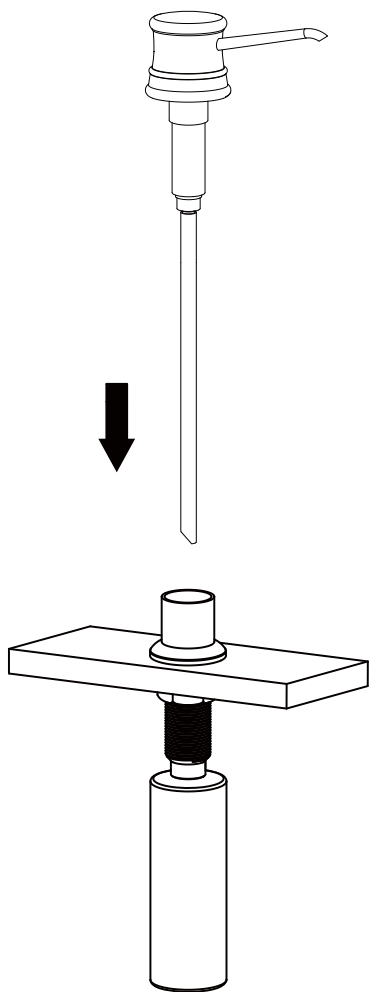
step ⑤



step ⑥



step ⑦



step ⑧

