



Barbara Jean
·COLLECTION·

Linger longer
with Barbara Jean

Outdoor Fireplace



Model OFP42N Outdoor Fireplace
(Natural Gas), LOGF37 Split Oak Log
Set, OFP42RLT Traditional Brick Liner.

Light up your nights

Designed for your outdoor oasis, this fireplace captures your attention with its Satin Coat Black or Stainless Steel Finish and your choice of brick liner, glass media and log set. Looks like the stars in the sky now have a little competition.

Standard Features

- Hi/lo Millivolt valve with variable adjustment of flame and BTU
- A flame sensor that constantly monitors the pilot flame and provides 100% gas shut off if pilot is not sensed
- Stainless steel pull screen
- Lava rock

Optional Features

Surround: Stainless steel

Refractory Liner: Traditional and Herringbone

Spark Assist: Battery operated pilot burner ignitor

Weather Cover: Stainless steel or black

Remote Control: On/Off

Screened Porch Installation Guidelines

- Porch Area – 96 sq. ft.
- Ceiling Height – 92"
- A minimum of two walls can be screened but must be open to outside ventilation:
Minimum Screen Height – 78"
Screen Area – 64 sq. ft

Refer to installation manual for additional details of framing specifications and clearances.



Optional Accessories

Log Set



LOGF37
Log Set
(Split Oak)

Surround



STAINLESS

Liners



OFP42RLT
Brick Liner
(Traditional)



OFP42RLH
Brick Liner
(Herringbone)



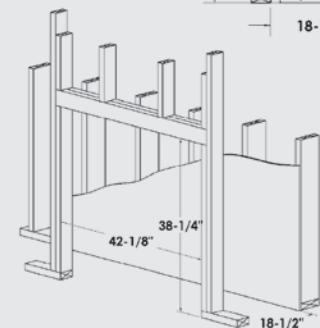
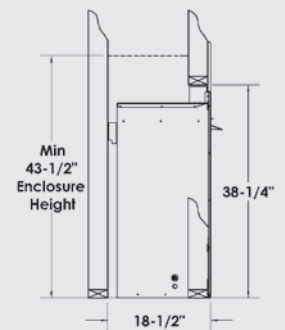
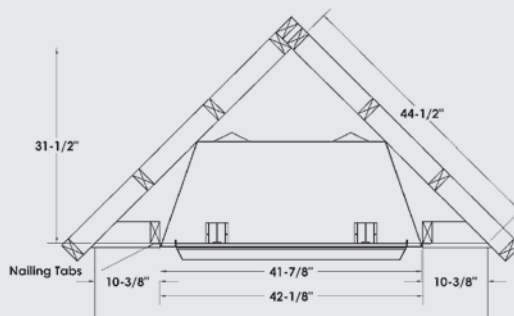
Unit and Framing Specifications

OFP42N-BLACK
OFP42NS-STAINLESS
Fuel: Natural
Input Max: 55,000 BTU
Input Min: 38,000 BTU

OFP42LP-BLACK
OFP42LPS-STAINLESS
Fuel: Propane
Input Max: 55,000 BTU
Input Min: 44,000 BTU



OFP42NS Outdoor Fireplace in Stainless Steel (Natural Gas), LOGF37 Split Oak Log Set, OFP42RLH Herringbone Brick Liner.



The Barbara Jean Collection maintains a program of continuous testing, refinement and improvements of all its products. Some aspect of units shown here may be changed at any time without notice or obligation.

Certification: Certified for USA and Canada ANSI Z21.97-2014, CSA 2.41-2014, Outdoor Decorative Gas Appliances.

*Components may have to be ordered separately to create a complete unit. Discuss with your local Dealer for clarification.



FOR CALIFORNIA RESIDENTS ONLY:

WARNING! This product can expose you to chemicals including Carbon Monoxide, that is an externally vented by-product of fuel consumption, which is [are] known to the State of California to cause birth defects or other reproductive harm. For more information, visit www.P65Warnings.ca.gov.



Limited Warranty

Crafted entirely in Canada, each Barbara Jean unit is built to the highest standards and made to last.

Printed in Canada | B0505 | 06/20

2340 Logan Ave.
Winnipeg, Manitoba
Canada R2R 2V3

Phone: 204.632.1962
Fax: 204.632.1960

BarbaraJeanCollection.com