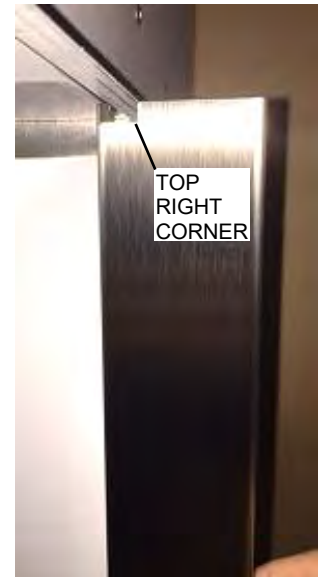
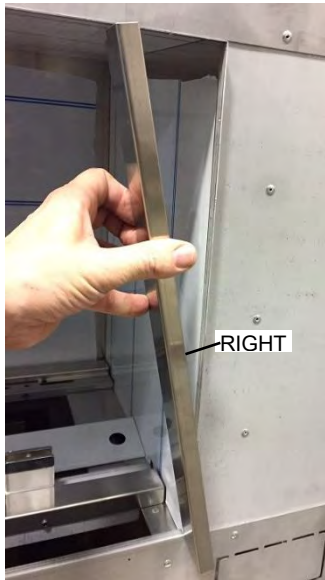
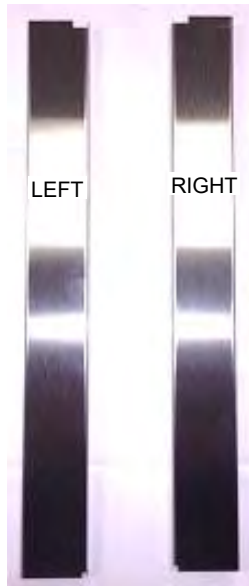
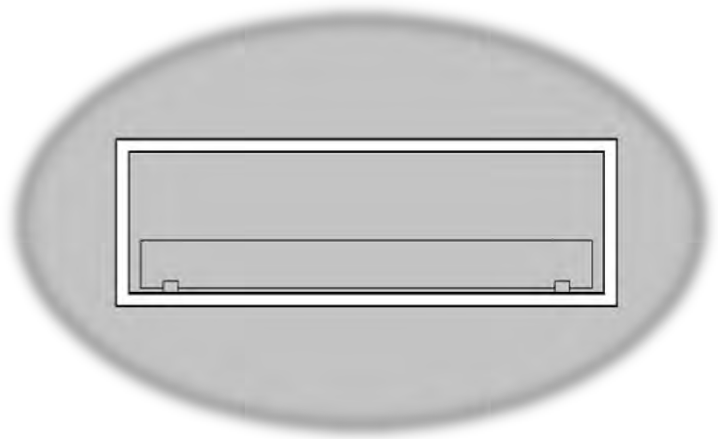
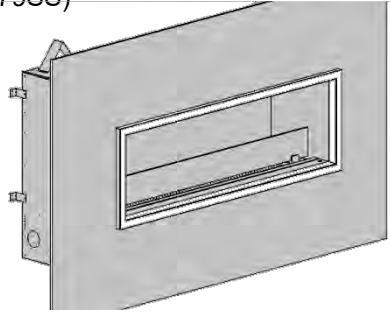


Surround Installation

OFP43SS / OFP55SS / OFP79SS

Parts List:

- Surround Frame [1 pc]
- Side Filler Panels [2 pc] (1LH & 1RH)
- Stainless Steel Screws ([2] for OFP43SS, [3] for OFP55SS & OFP79SS)

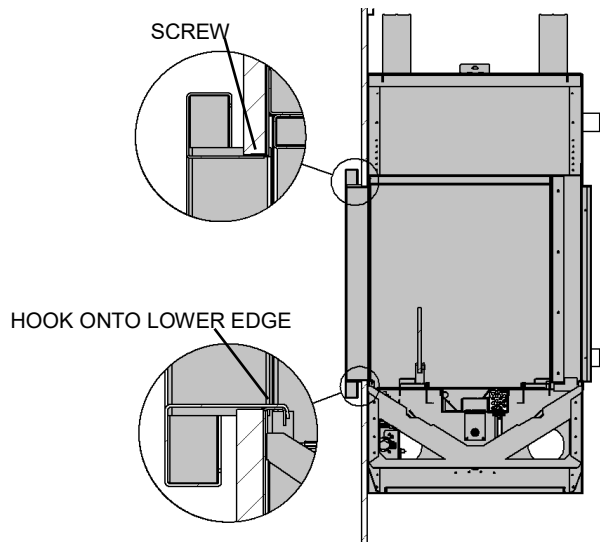


STEP 1: Place bottom of Side Filler into gap at corner of opening.

STEP 2: Push Side Filler into place. Repeat procedure for other side.



STEP 3: Hook Surround Frame onto Lower Edge of fireplace opening.



STEP 4: Push Surround Frame into place and attach with screws into top lip of opening.