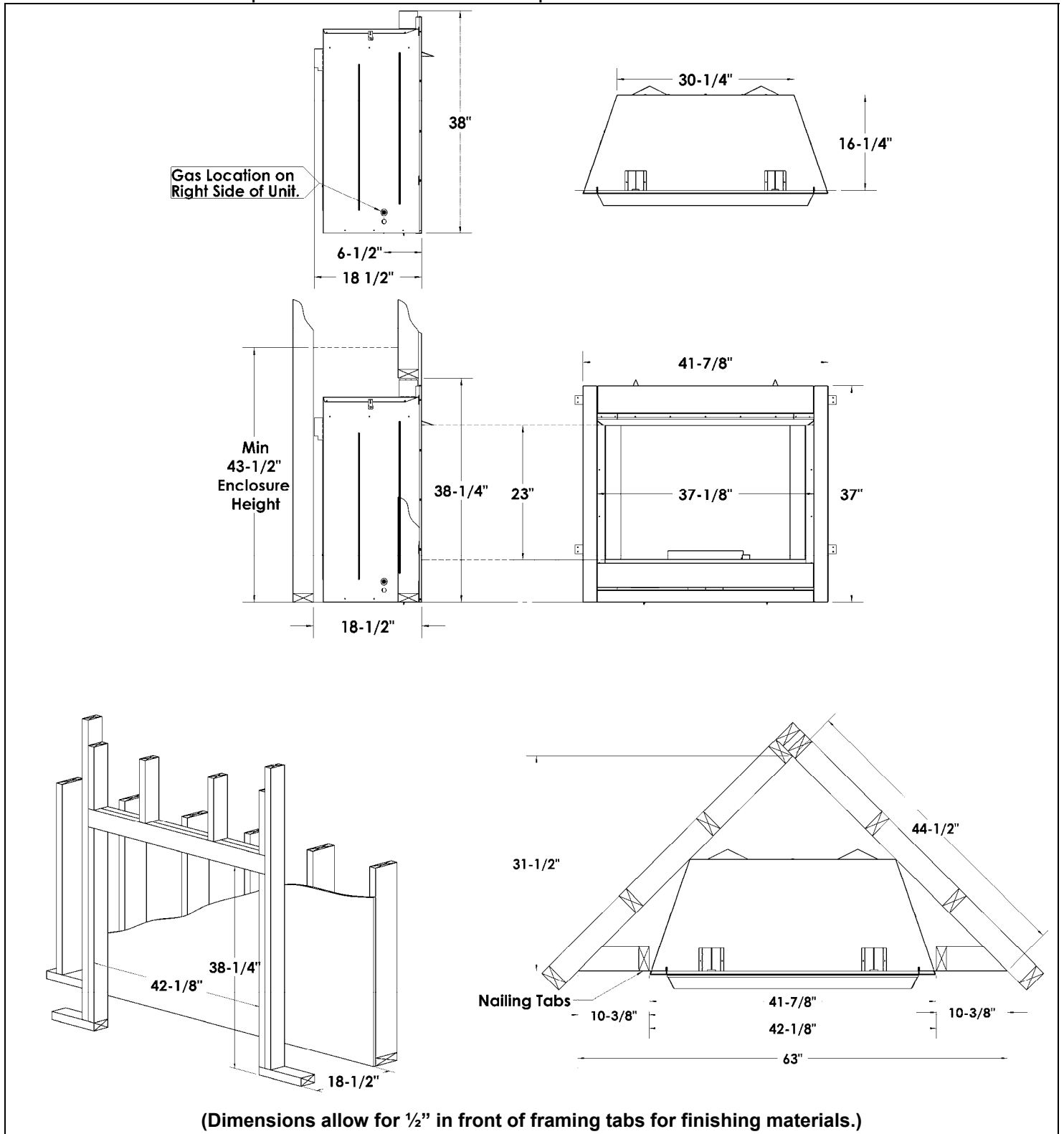


# OFP42N/OFP42LP Framing Specifications

## -Fireplace and Framing Dimensions-

\*Attention: Top & Rear Standoffs must be folded into position & fastened with Screws before installation.



(Dimensions allow for 1/2" in front of framing tabs for finishing materials.)

**Framing Clearances to Fireplace and Standoffs (Unless otherwise noted):** Bottom: 0" / Sides: 0" / Adjacent side wall: 3-1/2" / Floor of fireplace to ceiling: 7" / Low Profile Enclosure: 43-1/2" Minimum. Back: 0" / Top: 0".