

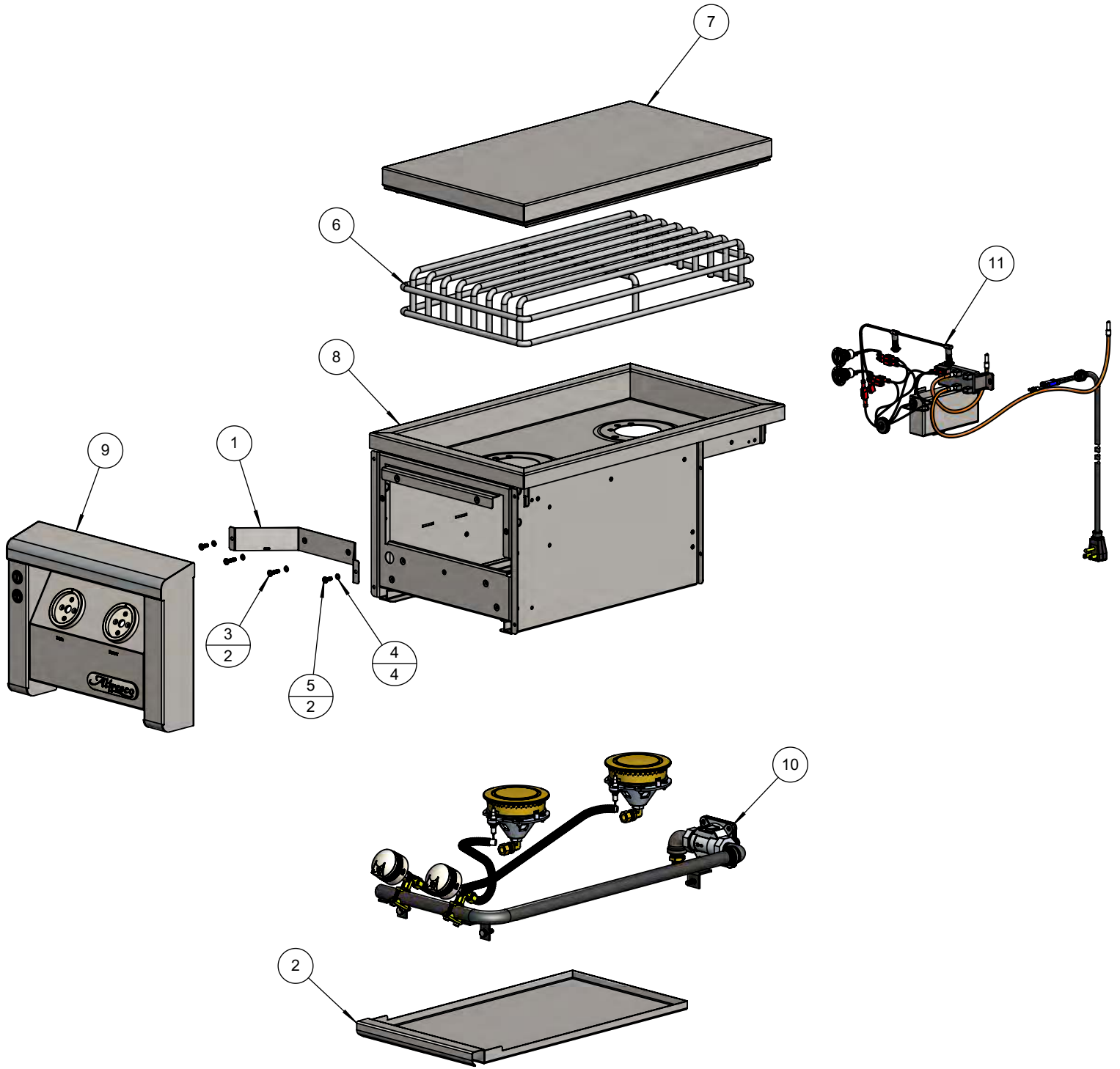
Alfresco™



AXESB-2 **SIDE BURNER PARTS MANUAL** *(SN° 18-00000 & FORWARD)*

BILL OF MATERIAL

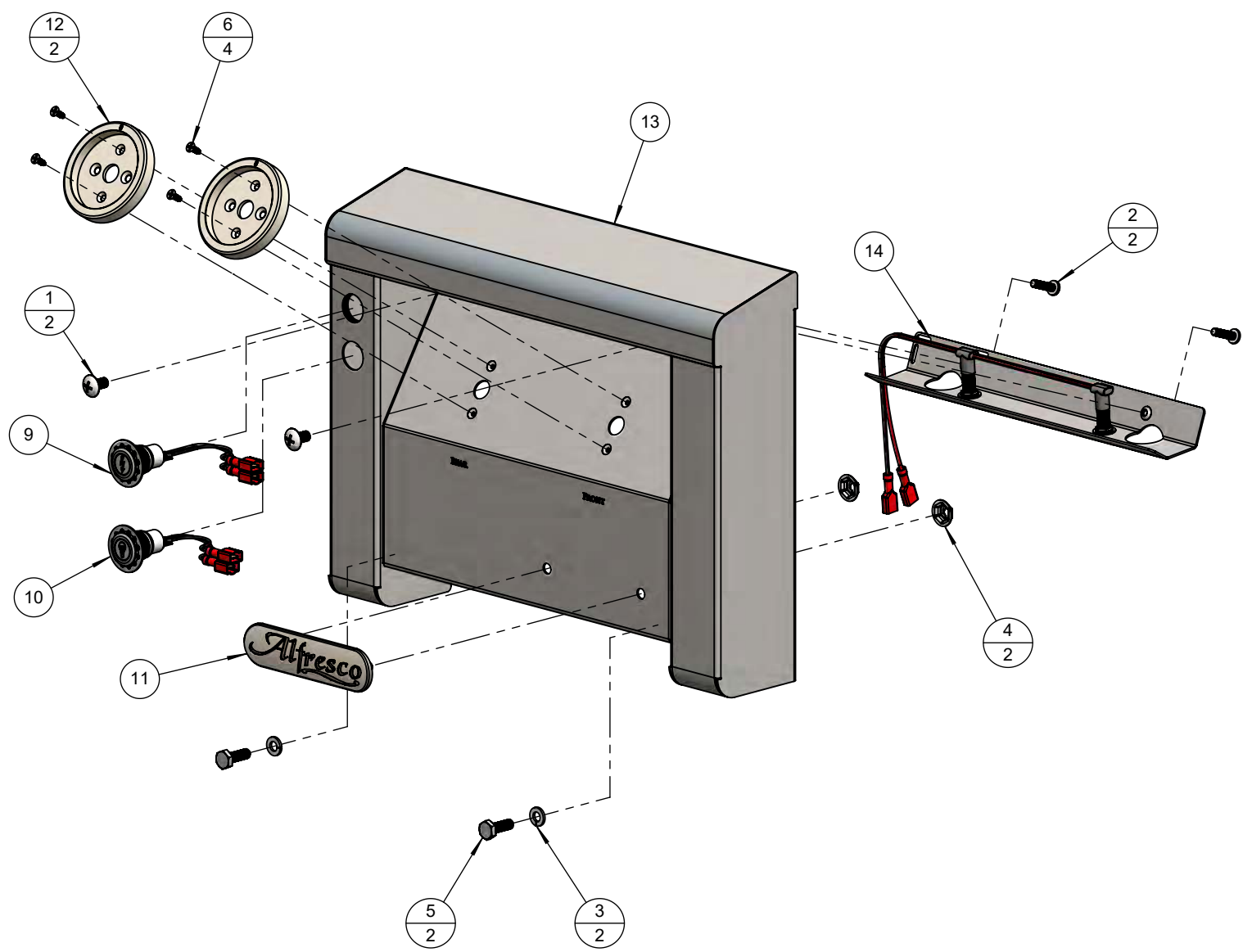
NO.	PART #	DESCRIPTION	QTY
1	100-2970	IGNITER MODULE BRACKET	1
2	100-2972	GREASE TRAY	1
3	200-0062	10-32 X 3/4 - PAN HEAD - PHILLIPS SCREW	2
4	200-0075	# 10 LOCK WASHER	4
5	200-0267	10-32 X 1/2 - PAN HEAD - PHILLIPS SCREW	2
6	290-0069	GRATE - DUAL SIDE BURNER	1
7	510-0532	COVER ASSEMBLY	1
8	510-1138	MAIN BODY ASSEMBLY - WELDED	1
9	510-1140	FRONT PANEL MAIN ASSEMBLY	1
10	510-1248	PIPING ASSEMBLY	1
11	510-1249	ELECTRICAL ASSEMBLY	1



BILL OF MATERIAL

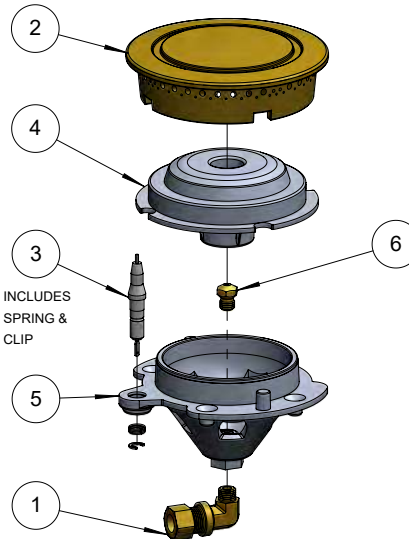
NO.	PART #	DESCRIPTION	QTY
1	200-0057	SCREW 1/4-20 X 1/2 - TRUSS HEAD - PHILLIPS	2
2	200-0062	10-32 X 3/4 - PAN HEAD - PHILLIPS SCREW	2
3	200-0087	WASHER - 1/4" SPRING LOCK- REGULAR - SS	2
4	200-0125	NUT THREAD CUTTER FOR 1/4" Ø STUD - SPEED NUT	2
5	200-0242	BOLT 1/4-20 UNC x 3/4 - HEX HEAD - SS	2
6	200-0348	SCREW 6-32 x 3/8 - THREAD CUTTER - FLAT HEAD PHILIPS	4
7	210-0581	WASHER - LOCK - Ø 19 mm - INTERNAL TEETH	1
8	210-0582	NUT - Ø 19 mm X 1	1
9	210-0583	SWITCH - IGNITION - MOMENTARY [ON]/OFF	1
10	210-0584	SWITCH - LIGHT - LATCHING [ON/OFF]	1
11	290-0377	ALFRESCO RANGE LOGO	1
12	290-0388	ALFRESCO RANGE KNOB - BEZEL RING	2
13	510-1141	FRONT PANEL WELDED / RIVETED PARTS	1
14	510-1142	LIGHT ASSEMBLY	1

NOTE: SWITCHES (9) AND (10) AS WELL AS LIGHT ASSEMBLY (14) SHOWN AS REFERENCE. FOR ELECTRICAL COMPONENTS SEE DRAWING 510-1249 M1



BILL OF MATERIAL

NO.	PART #	DESCRIPTION	QTY
1	220-0293	ELBOW .125 FPT x .375 COMP (SIDE BURNER)	1
2	290-0072	SIDE BURNER - EXTERIOR CAP	1
3	290-0074	ELECTRODE ASSEMBLY	1
4	290-0222	SIDE BURNER - INNER CAP	1
5	290-0344	SIDE BURNER BODY	1
6	SEE NOTE	SIDE BURNER ORIFICE ► SEE NOTE	1

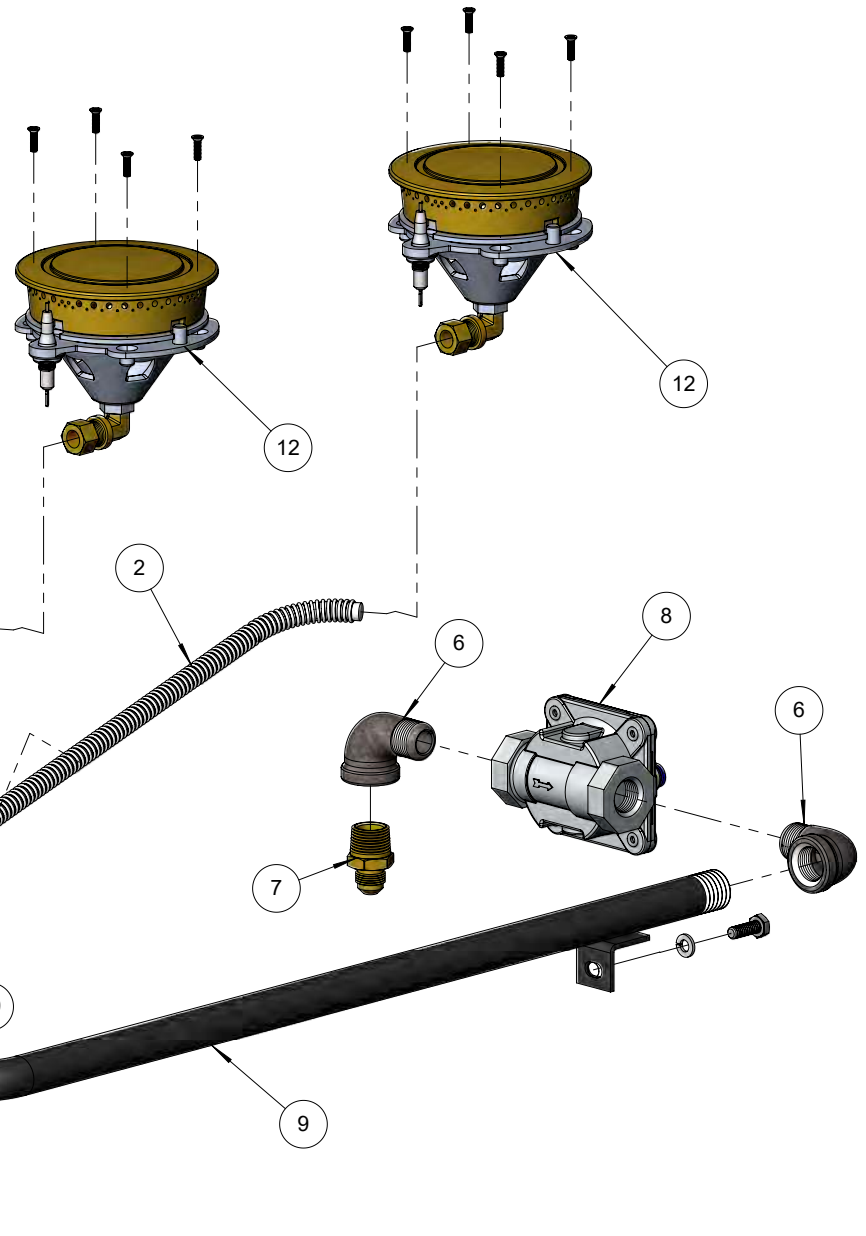


NOTE: ORIFICES

NG	220-0368
LP	220-0369

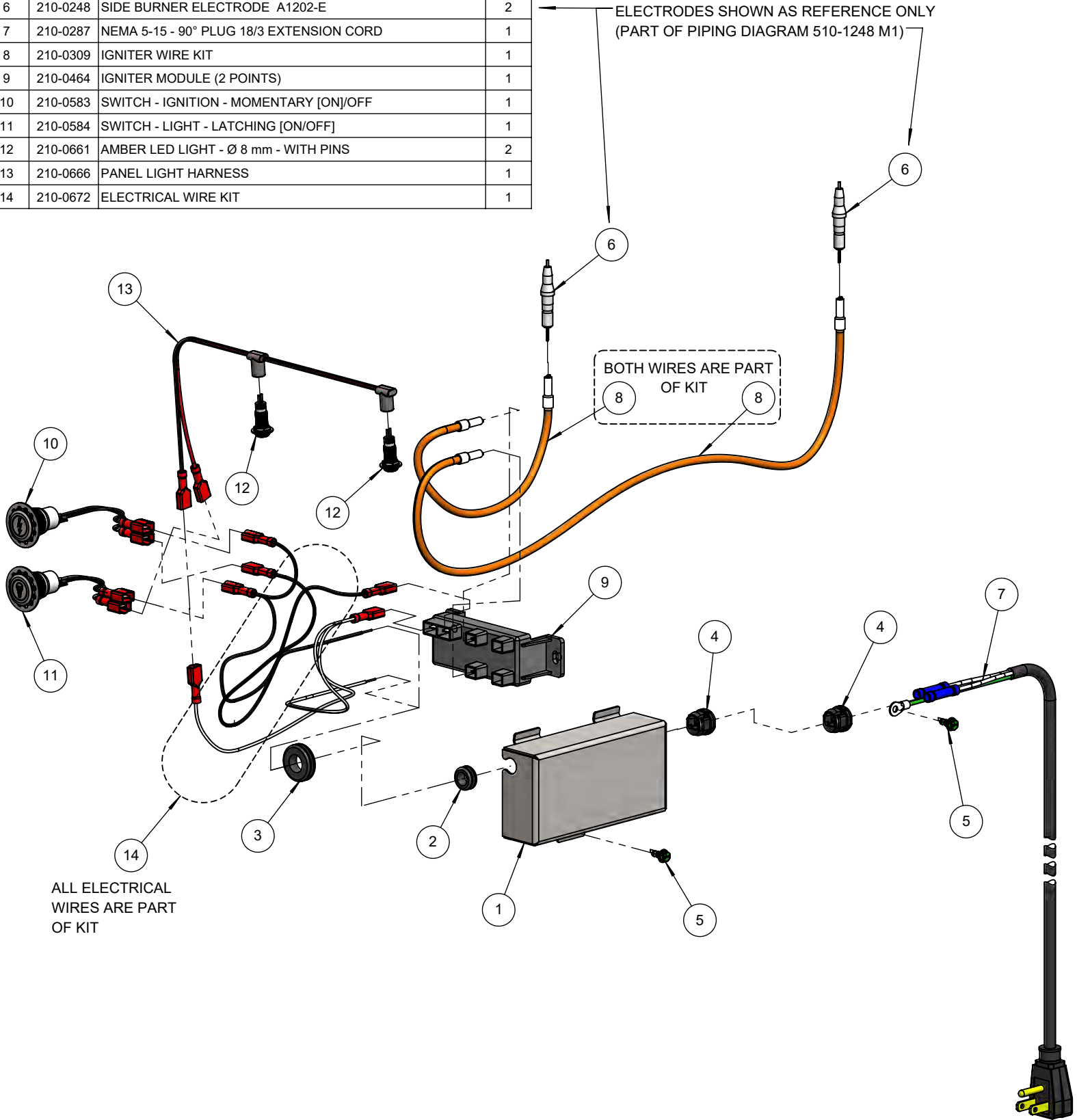
BILL OF MATERIAL

NO.	PART #	DESCRIPTION	QTY
1	100-0917	GAS LINE - 8"L X 3/8"Ø FLEX TUBE	1
2	100-0941	GAS LINE - 24"L X 3/8" Ø - SS. FLEX TUBE	1
3	200-0087	WASHER - 1/4" SPRING LOCK- REGULAR - SS	3
4	200-0098	SCREW 6-32 X 1/2" - FLAT HEAD 82° - PHILIPS	8
5	200-0242	BOLT 1/4-20 UNC x 3/4 - HEX HEAD - SS	3
6	200-0274	ELBOW 90° - CAST IRON - 1/2" FPT x 1/2" MPT	2
7	220-0275	NIPPLE - 1/2" MPT X 3/8" OD FL	1
8	220-0280	REGULATOR GAS - MAXITROL RV48CL440002	1
9	220-0298	MANIFOLD - SIDE BURNER - DUAL VALVE	1
10	290-0042	GAS VALVE - SIDE BURNER - WITH INTERNAL ORIFICE	2
11	290-0451	KNOB - BBQ VALVE - ASSEMBLY	2
12	SEE BOM	SIDE BURNER ASSEMBLY ► SEE PARTS	2



BILL OF MATERIAL

NO.	PART #	DESCRIPTION	QTY
1	100-2961	ELECTRICAL J-BOX	1
2	200-0003	GROMMET 3/8" Ø - MMC# 9600K33	1
3	200-0005	GROMMET 1/2" Ø - MMC# 9600K22	1
4	200-0009	HEYCO STRESS RELIEF BUSHING # 1200 SR 6N3-4	2
5	200-0320	SCREW 8-32 x 3/8 - GROUNDING SCREW	2
6	210-0248	SIDE BURNER ELECTRODE A1202-E	2
7	210-0287	NEMA 5-15 - 90° PLUG 18/3 EXTENSION CORD	1
8	210-0309	IGNITER WIRE KIT	1
9	210-0464	IGNITER MODULE (2 POINTS)	1
10	210-0583	SWITCH - IGNITION - MOMENTARY [ON]/OFF	1
11	210-0584	SWITCH - LIGHT - LATCHING [ON/OFF]	1
12	210-0661	AMBER LED LIGHT - Ø 8 mm - WITH PINS	2
13	210-0666	PANEL LIGHT HARNESS	1
14	210-0672	ELECTRICAL WIRE KIT	1



ELECTRODES SHOWN AS REFERENCE ONLY
(PART OF PIPING DIAGRAM 510-1248 M1)

BOTH WIRES ARE PART
OF KIT

ALL ELECTRICAL
WIRES ARE PART
OF KIT