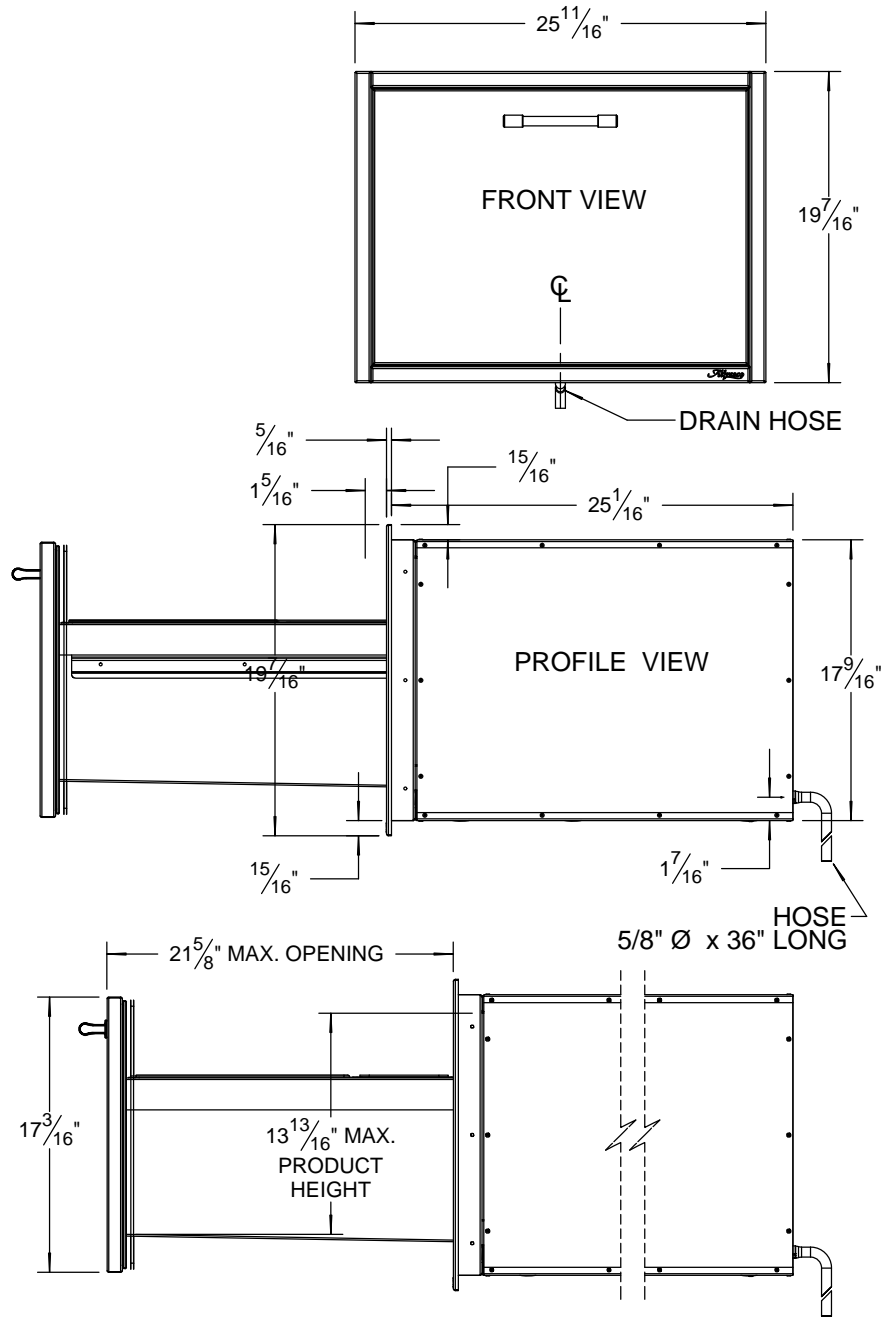
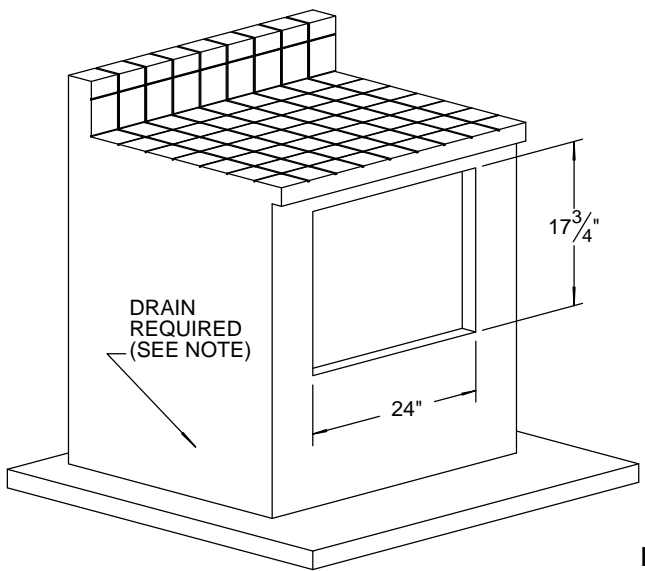
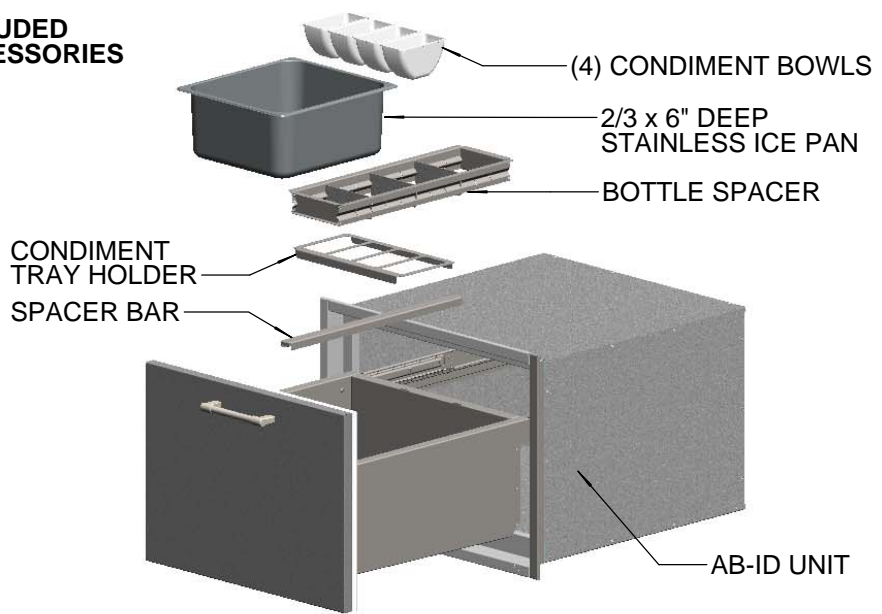


AXE-ID - ICE DRAWER TYPICAL INSTALLATION

COUNTER FRONT CUTOUT REQUIREMENTS



INCLUDED ACCESSORIES



- NOTE:**
- PROPER DRAINING IS REQUIRED FOR THIS UNIT.
 - CONDENSATION AND WATER FROM MELTING ICE WILL CONTINUE TO FLOW FROM THIS UNIT INTO THE DRAIN HOSE.
 - A MINIMUM DRAIN OF 1" Ø IS RECOMMENDED TO BE INSTALLED IN THE COUNTER.

<p>SUPERIOR EQUIPMENT SOLUTIONS 7039 EAST SLAUSON AVENUE COMMERCE, CA. 90040</p>	<p>THE INFORMATION CONTAINED IN THIS DRAWING IS THE SOLE PROPERTY OF SUPERIOR EQUIPMENT SOLUTIONS INC. ANY REPRODUCTION IN PART OR AS A WHOLE WITHOUT WRITTEN PERMISSION FROM SUPERIOR EQUIPMENT SOLUTIONS, INC. IS PROHIBITED.</p> <p>DRAWN BY: JORGE PELAYO CREATED: 9/08/2015</p>	<p>PROJECT TITLE: AXE-ID</p> <p>DRAWING TITLE: AXE-ID - ICE DRAWER SPECIFICATION SHEET</p>	<p>DRAWING NO.: AXE-ID SPEC SHEET</p> <p>SHEET 1 OF 1</p>
--	--	--	--