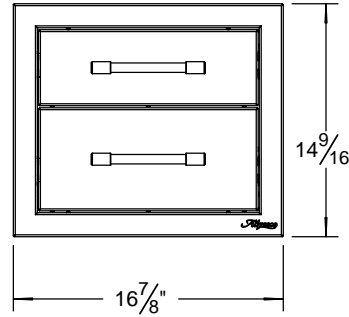


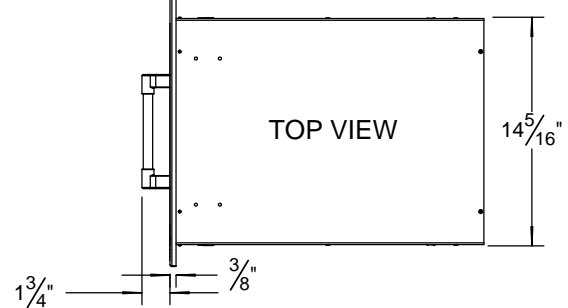
AXE-SC DRAWER - TYPICAL INSTALLATION
(AXE-2DR-SC SHOWN)

AXE-2DR-SC

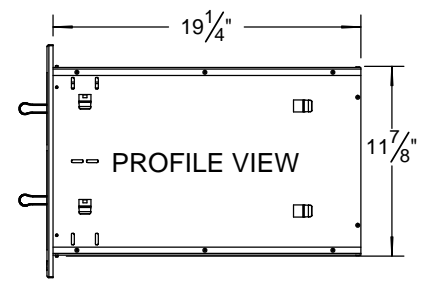
FRONT VIEW



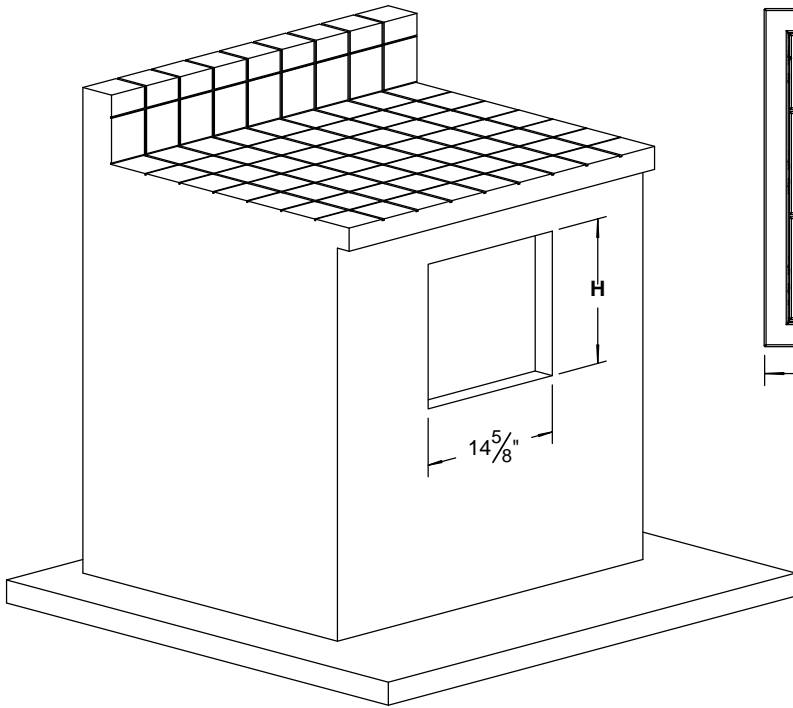
TOP VIEW



PROFILE VIEW



COUNTER FRONT CUTOUT REQUIREMENTS

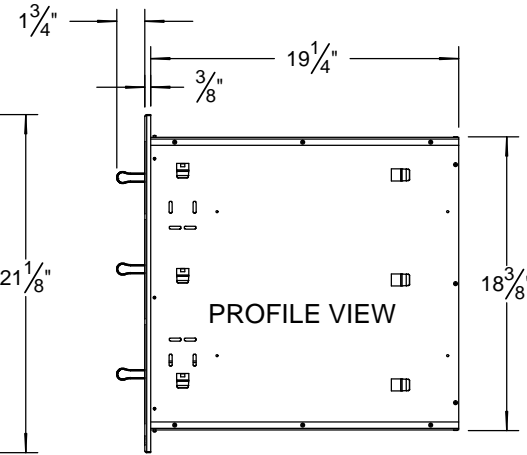
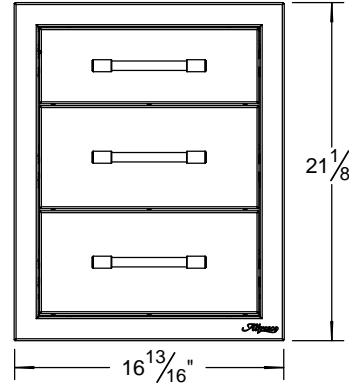


CUTOUT HEIGHT DIMENSION (H):

- AXE-2DR-SC = 12-1/4"
- AXE-3DR-SC = 18-5/8"

AXE-3DR-SC

FRONT VIEW



TYPICAL DRAWER EXTENSION BOTH MODELS:

