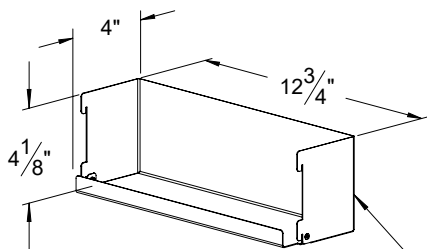
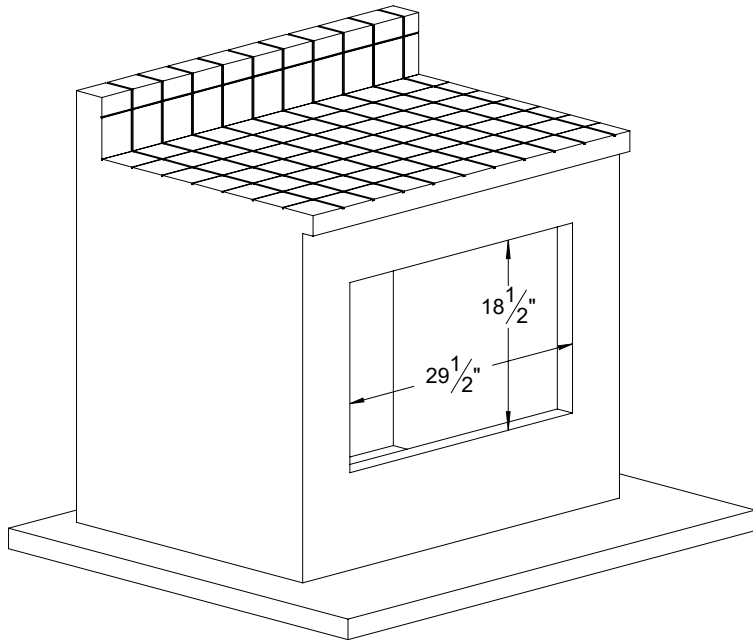


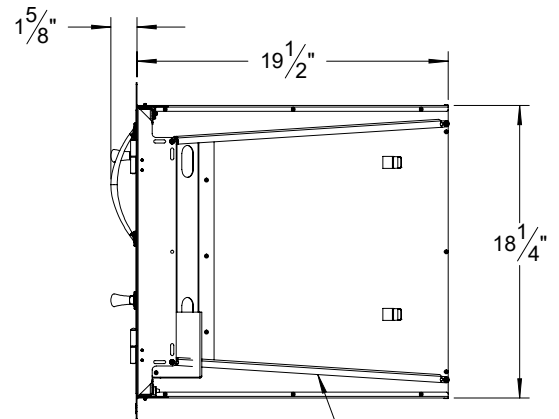
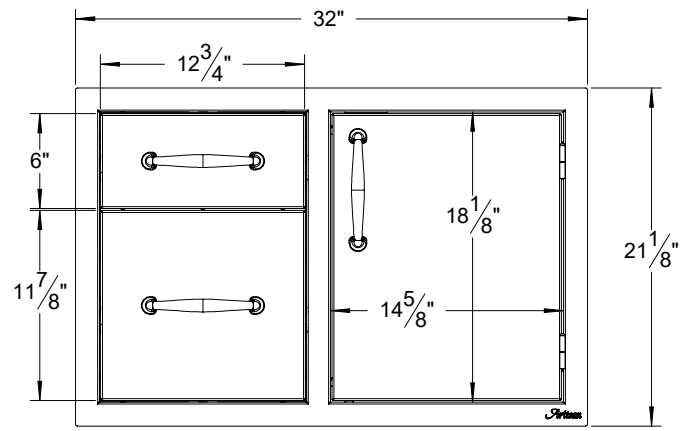
TYPICAL ARTP-DDC-32SC INSTALLATION

COUNTER FRONT CUTOUT REQUIREMENTS

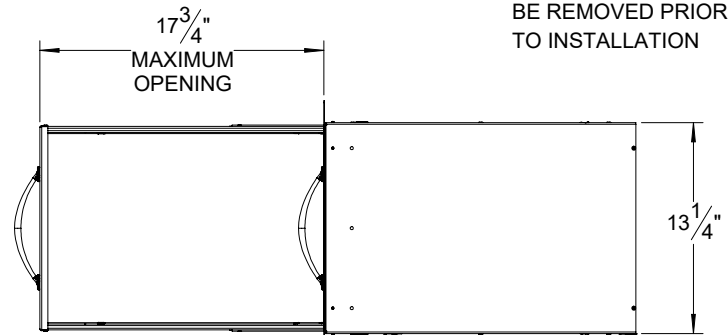


ACCESSORY BOX FOR
ARTP-DDC-32SC
ORDER ITEM: ARTP-DS32

ACCESSORY BOX
(OPTIONAL)



SHIPPING STRAPS TO
BE REMOVED PRIOR
TO INSTALLATION



17 3/4"
MAXIMUM
OPENING

13 1/4"

175°
MAXIMUM
SWING

SHIPPING STRAPS TO
BE REMOVED PRIOR
TO INSTALLATION

14 3/8"