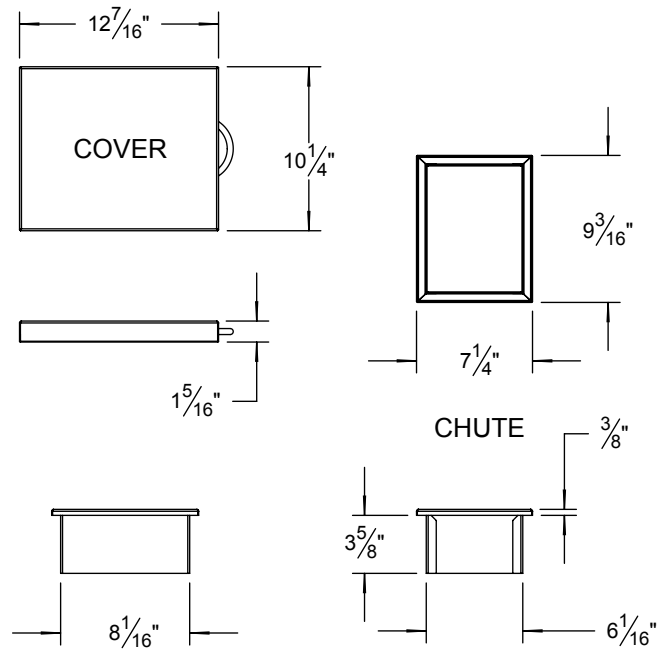


**APWC  
PREP / WASTE CHUTE**



**COUNTERTOP CUTOUT REQUIREMENTS**

