

MODEL SPECIFICATIONS (Cont.)

SIDEBURNER DIMENSIONS TABLE

Height		Width	Depth
(Top to bottom)		(Left to right)	(Front to back)
Hanger to top (with burner lid)		Hanger to hanger (F)	Maximum depth (G)
Open (D)	Closed (E)		
17 3/4"	1 1/2"	10"	17"

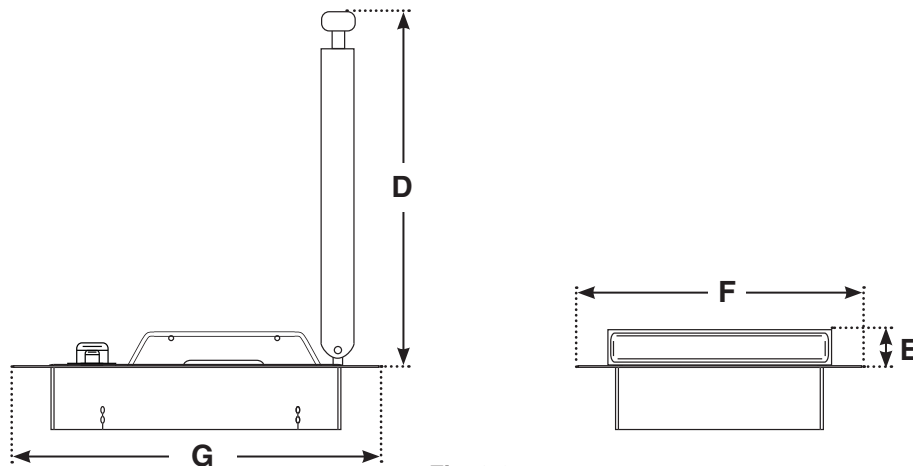


Fig. 6-3

MAINTENANCE AND SAFETY INFORMATION

1. The sideburner and surrounding area **MUST** remain clear of flammable substances such as gasoline, yard debris, wood, etc.
2. There is no blockage of airflow around the burner.
3. **When using propane gas:**
 - a. **The required ventilation openings in the enclosure must be clear of debris. See the PROPANE SAFETY INFORMATION section.**
 - b. **The propane cylinder, regulator, and rubber hose must be in a location not subject to temperature above 125° F (51° C).**
4. The flames on the burner burn evenly along the burner cap with a steady flame (mostly blue). If burner flames are not normal, check and clean the orifice and burner for insects and insect nests. A clogged burner can lead to a fire beneath the unit. A proper flame pattern will ensure safe operation and optimal performance.
5. The in-line gas valve or gas cylinder valve must always be shut OFF when the unit is not in use.
6. **Do not operate the burner with the cover in place.**

WARNING: NEVER cover more than 75% of the cooking surface with griddles or pans. Overheating will occur, and burners will not perform properly when combustion heat is trapped below the cooking surface.

CAUTION: NEVER spray water on a hot gas unit.

The unit serial identification number and rating label are located on the exterior wall of the unit. The unit must be completely cool before lifting up from enclosure to gain access.