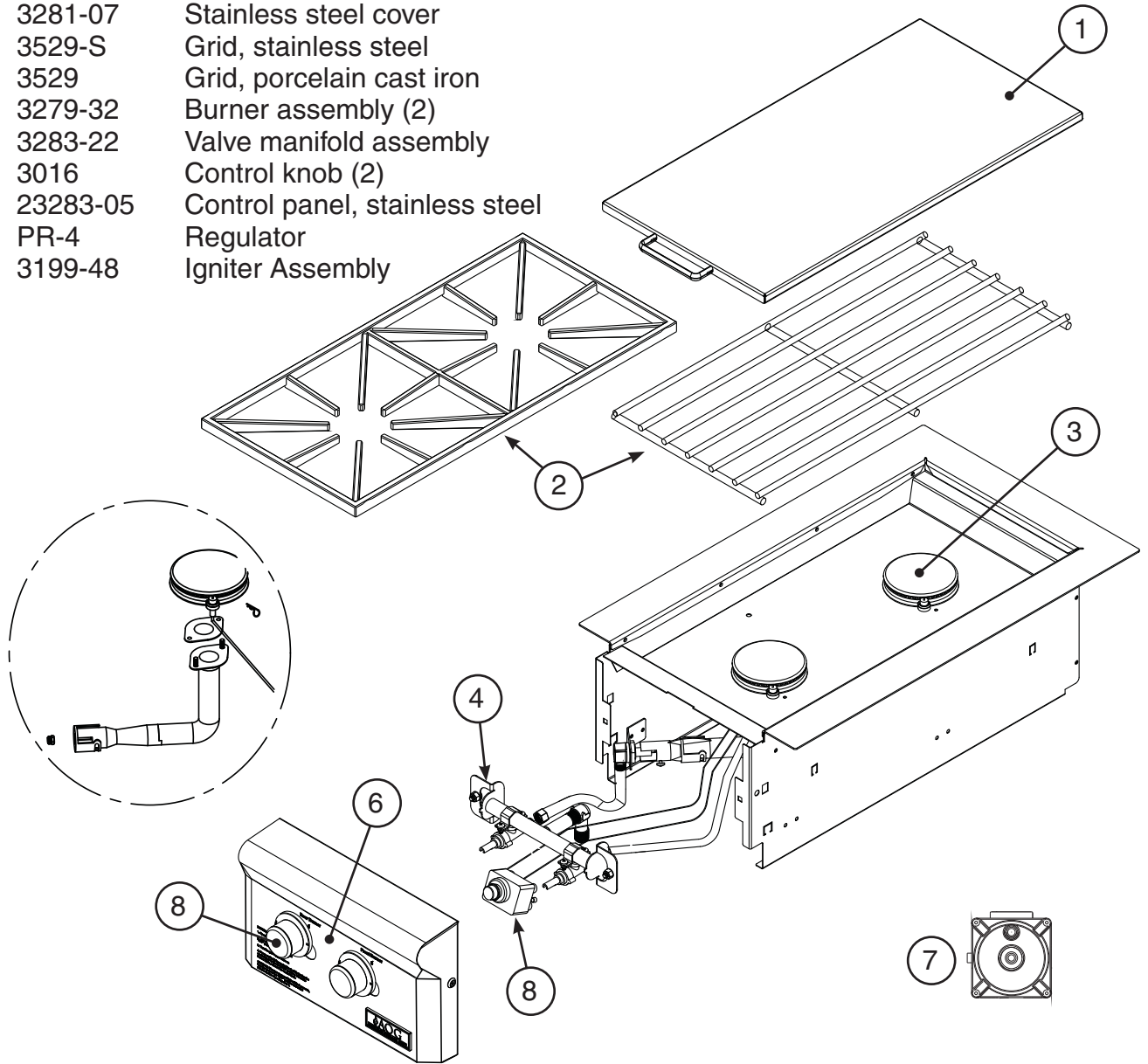


DOUBLE SIDEBURNER PARTS LIST

Item	Part No.	Description
1.	3281-07	Stainless steel cover
2.	3529-S	Grid, stainless steel
or	3529	Grid, porcelain cast iron
3.	3279-32	Burner assembly (2)
4.	3283-22	Valve manifold assembly
5.	3016	Control knob (2)
6.	23283-05	Control panel, stainless steel
7.	PR-4	Regulator
8.	3199-48	Igniter Assembly



PRODUCT DATA TABLE

Specification	Value
Counter Opening Height	8 1/2"
Counter Opening Width*	11 1/2"
Counter Opening Depth	22 3/4"
Double Side Burner	
BTU per burner	12,500
Natural Gas Orifice	#53
Propane Gas Orifice	#59

* When installing in combustible framing, a width of 12" is required to allow for proper airspace. See the next page for details.

Table 1 - Product data table