

MODEL SPECIFICATIONS

MODEL SPECIFICATIONS TABLE

Table 1	Value
Main burner quantity N/P orifice drill size	2 1.82mm / 1.16mm
Backburner* N/P orifice drill size	#53 / #64

* If equipped

POST PATIO MOUNT GRILL DIMENSIONS TABLE

Height			Width		Depth	
Floor to top (with oven)		Floor to top of shelf (C)	Left to right		Front to back	
Open (A)	Closed (B)		Post base (D)	Shelf to shelf (E)	Post base (F)	Maximum outer (G)
59"	48 1/2"	37"	26"	51"	18 1/2"	24 3/4"

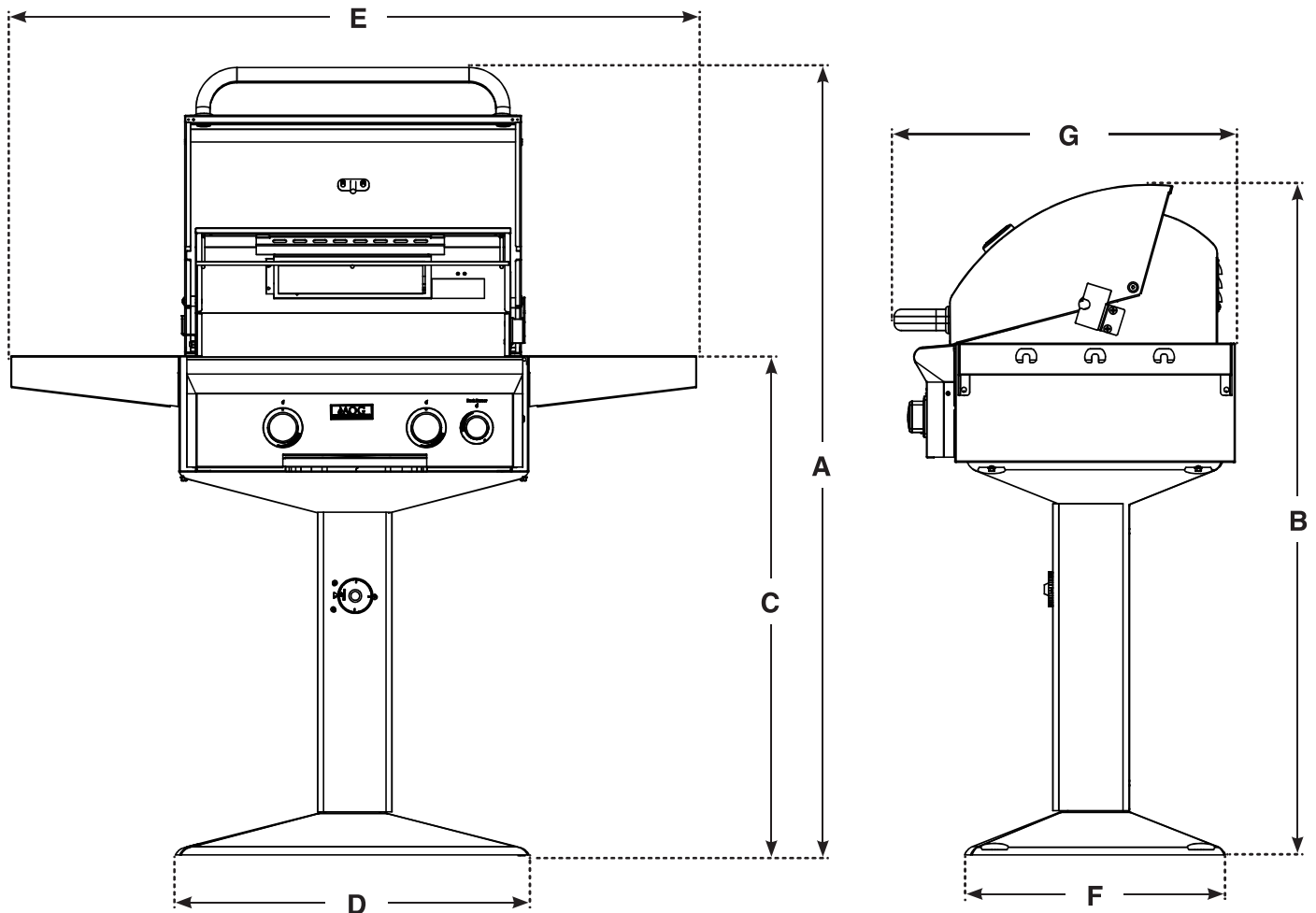


Fig. 7-1

IN-GROUND POST GRILL DIMENSIONS TABLE

Height*				Width		Depth	
Floor to top (with oven)		Floor to top of shelf (C)	Floor to bottom of extension below ground (D)	Left to right		Front to back	
Open (A)	Closed (B)			Post (E)	Shelf to shelf (F)	Post (G)	Maximum outer (H)
59"	48 1/2"	36 1/2"	18"	5 1/2"	51"	5 1/2"	24 3/4"

*Note: Height dimensions are approximate from ground level once installed.

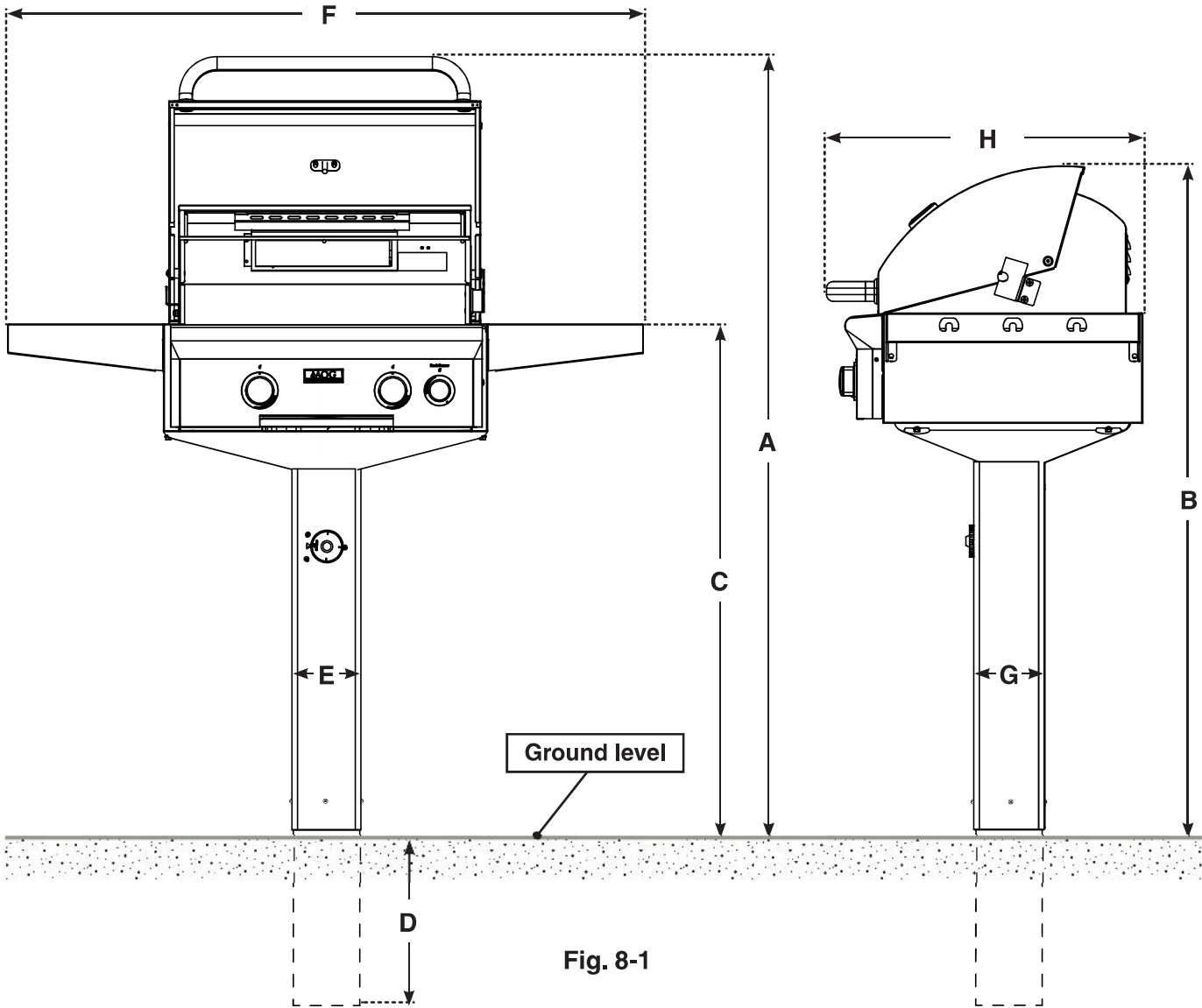


Fig. 8-1