

MODEL SPECIFICATIONS

MODEL SPECIFICATIONS TABLE

Table 1	Value
Main burner quantity N/P orifice drill size	2 #46/#1.20
Backburner* N/P orifice drill size	#54/#65
Infrared searing burner* N/P orifice drill size	#46/#1.20

* If equipped

POST PATIO MOUNT GRILL DIMENSIONS TABLE

Height			Width		Depth	
Floor to top (with oven)		Floor to top of shelf (C)	Left to right		Front to back	
Open (A)	Closed (B)		Post base (D)	Shelf to shelf (E)	Post base (F)	Maximum outer (G)
59"	48 1/2"	37"	26"	51"	18 1/2"	24 3/4"

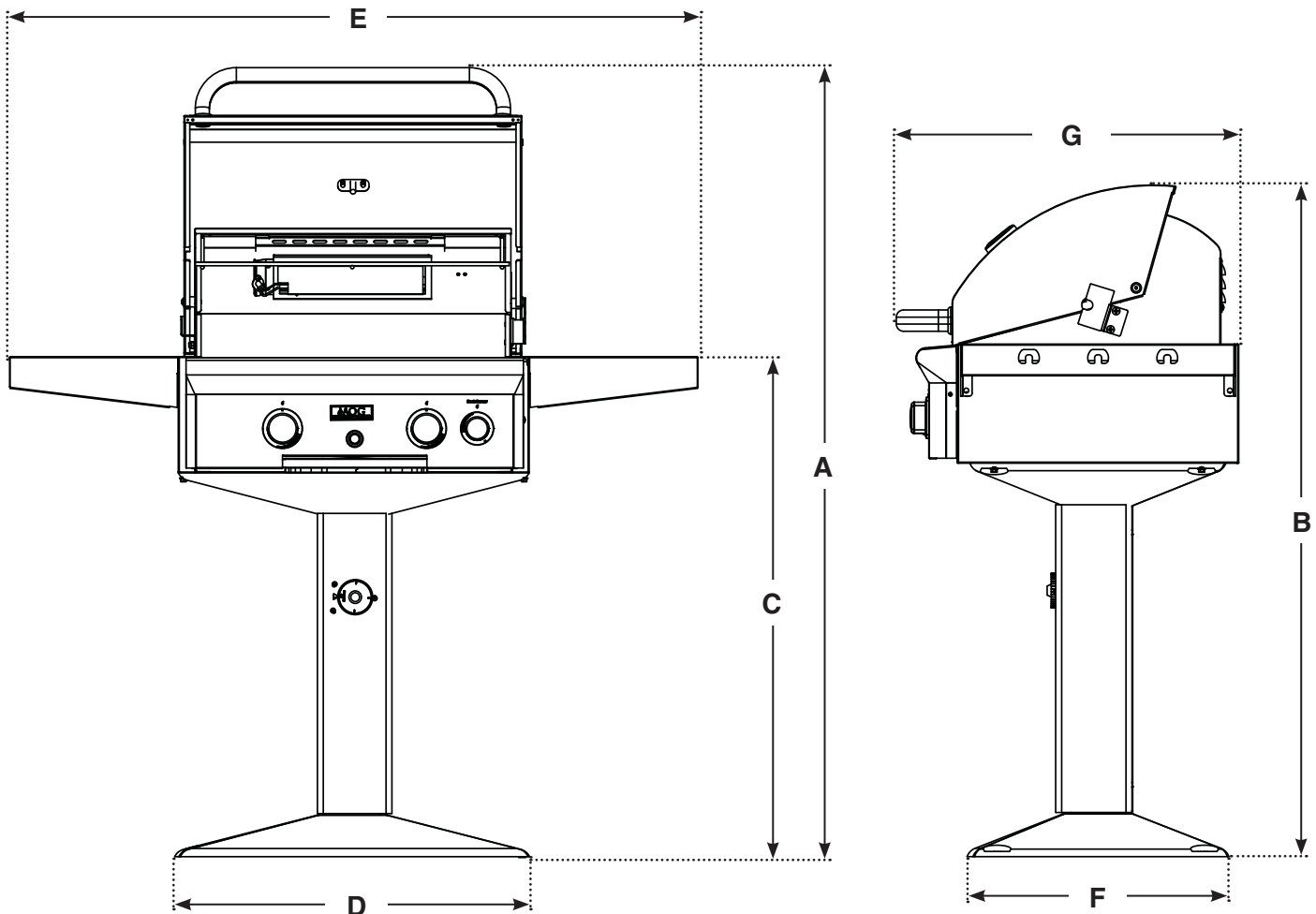


Fig. 8-1