

MODEL SPECIFICATIONS (Cont.)

Height*				Width		Depth	
Floor to top (with oven)		Floor to top of shelf (C)	Floor to bottom of extension below ground (D)	Left to right		Front to back	
Open (A)	Closed (B)			Post (E)	Shelf to shelf (F)	Post (G)	Maximum outer (H)
59"	48 1/2"	36 1/2"	18"	5 1/2"	51"	5 1/2"	24 3/4"

***Note:** Height dimensions are approximate from ground level once installed.

Table 3 - In-Ground Post Grill Dimensions

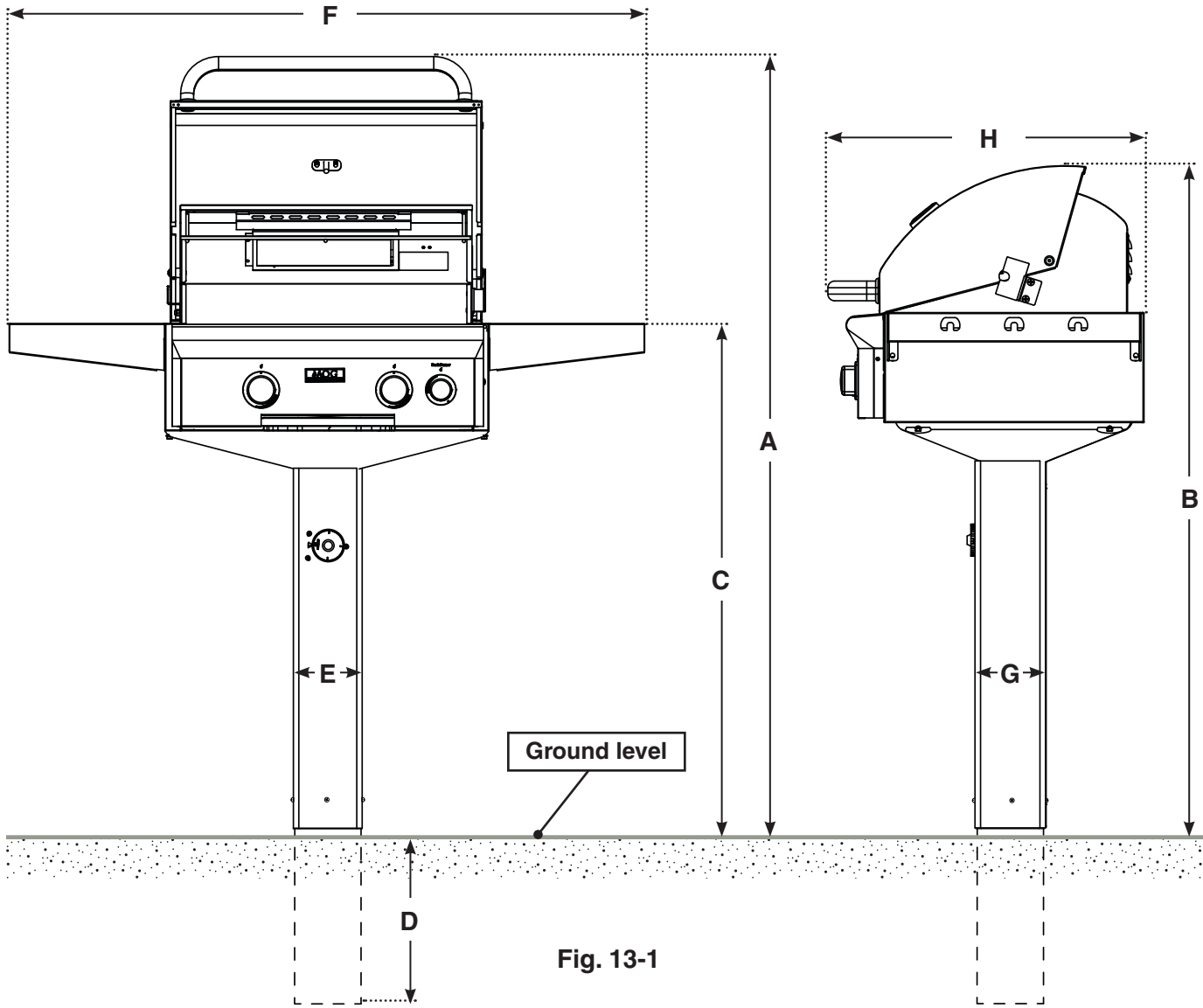


Fig. 13-1