

KESNOS

Home Dehumidifier

Please read this manual carefully
before using the product

YDA-80

USER MANUAL

FOR CUSTOMERS

Thank you for purchasing our dehumidifier.

Kesnos has been committed to developing powerful and easy-to-use products to bring more convenience to your life. We highly recommend you to keep this user manual for future reference in case of unexpected problems.

Please read this user manual carefully to ensure proper use of the dehumidifier. This dehumidifier is perfect for reducing humidity in family bedrooms, bathrooms, basements, offices, storage rooms and more.

Kesnos dehumidifier reduce the room humidity efficiently, creating a more healthy and comfortable environment for you and your family.

REQUESTING CUSTOMER SERVICE

If there are any problems of the product, please contact Kesnos Customer Service at support@kesnos.com with your Purchase Order ID. We'll help you solve the problems as soon as possible.

BEFORE FIRST USE:

To protect the product from any internal damages, please keep the product in the upright position throughout its journey.

Please take out the product and leave it standing in the upright position for **24 HOURS** before plugging it in.

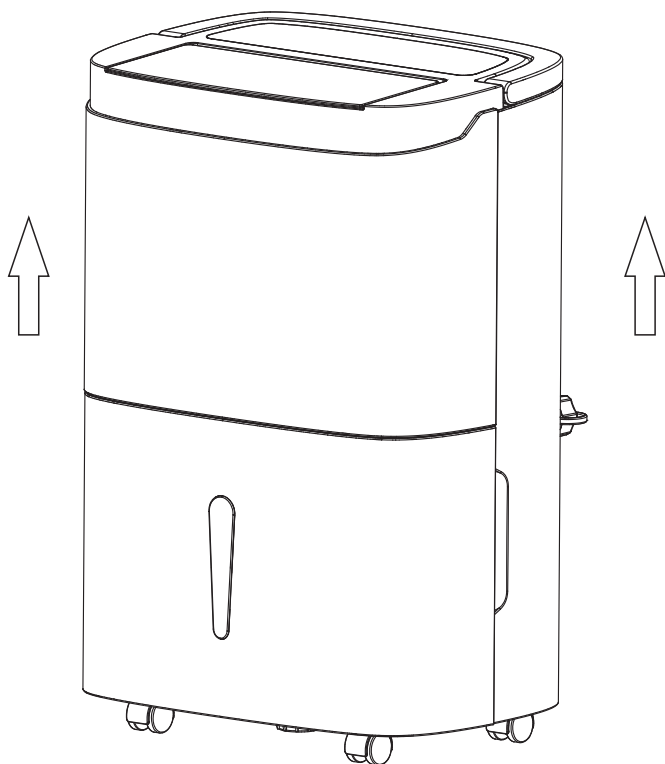


TABLE OF CONTENTS

SAFETY PRECAUTIONS.....01

IMPORTANT SAFETY INSTRUCTIONS02

PRODUCT DRAWINGS03

OPERATION INSTRUCTIONS04

DRAINAGE06

MAINTENANCE & CLEANING09

TROUBLESHOOTING10

Q&A.....12

SPECIFICATIONS13

SPECIAL NOTES.....14

WARRANTY & CONTACT US15

SAFETY PRECAUTIONS

IMPORTANT NOTICE FOR FIRST USE :

For your safety, please read the following contents carefully before using this dehumidifier.

Requirements

- Install this dehumidifier in smooth place to reduce vibration and noise.
- Do not place this dehumidifier in water or other liquids.
- In order to prevent accidents, please do not use this dehumidifier if wires or other connections are damaged.
- This appliance can be used by children aged from 8 years and above and persons with reduced physical, sensory or mental capabilities or lack of experience and knowledge if they have been given supervision or instruction concerning use of the appliance in a safe way and understand the hazards involved. Children shall not play with the appliance, cleaning and user maintenance shall not be made by children without supervision.
- When stop, reset or clean this dehumidifier, please cut off the power.
- Please use at the specified voltage.
- This dehumidifier can only be used indoor, please do not use for other purposes.
- Please do not place heavy objects on this dehumidifier.
- Please empty water tank to prevent overflow and spill before restarting this dehumidifier.
- Please do not incline in case that the spilled water damages this dehumidifier.
- Please do not place waste rods and hard objects into the dehumidifier in case that error and damage occur.
- If the supply cord is damaged, it must be replaced by the manufacturer, its service agent or similarly qualified persons in order to avoid a hazard.
- When this dehumidifier is not used for long time, please unplug the electric cord.
- Power supply of the Dehumidifier shall comply with the safety regulations where it is used and ensure reliable grounding.

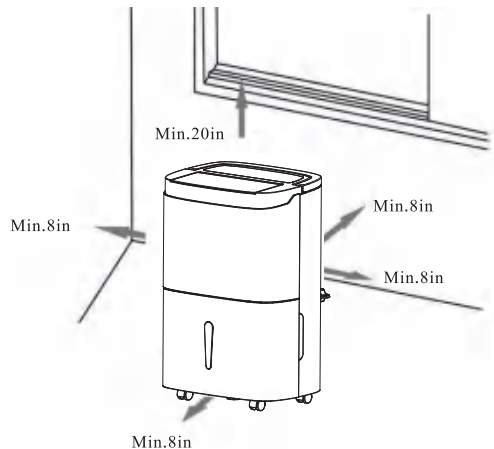
IMPORTANT SAFETY INSTRUCTIONS

Prohibition

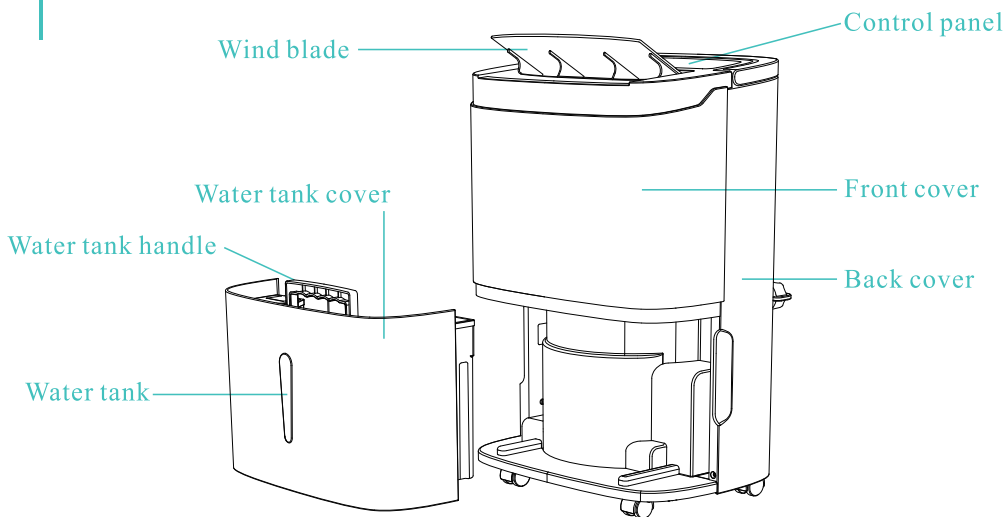
- Please do not place this dehumidifier close to heating devices (flame or heaters, etc.).
- Please do not turn on or turn off this dehumidifier by plugging in or pulling out the plug.
- Do not use insecticide spray or other flammable substances in the vicinity of this dehumidifier.
- Do not scratch appearance of this dehumidifier with sharp matters.
- Do not splash oil or water into this dehumidifier.
- Do not clean this dehumidifier with water, please wipe it with subhumid soft cloth.
- Do not wipe this dehumidifier with chemical solvents such as benzene, gasoline and alcohol, etc. If this dehumidifier is indeed dirty, please wipe with neutral detergent.
- Please do not incline this dehumidifier over 45° or place this dehumidifier upside down.

Installation

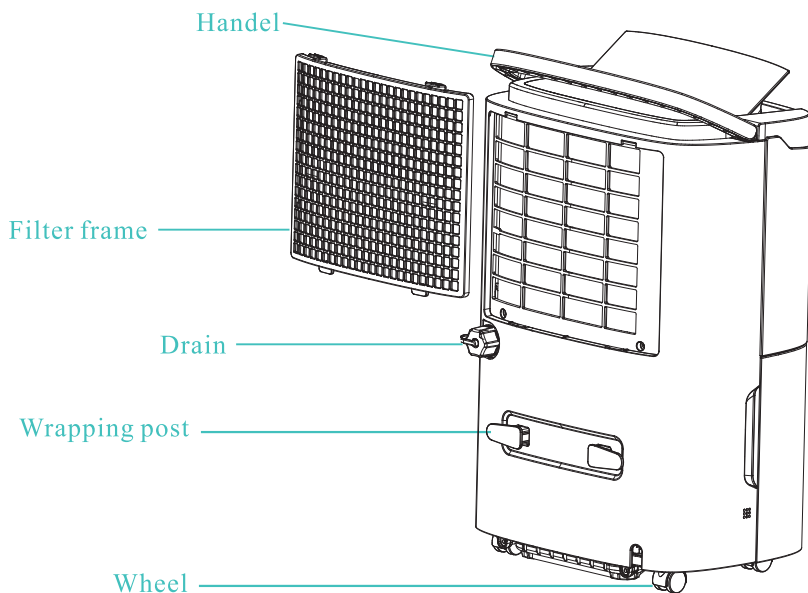
- Please drain the water from water tank before running.
- During running please do not open doors and windows as much as possible since this can save energy resources.
- When the dehumidifier is installed, a certain space must be reserved around this dehumidifier, the minimum distance above is 20in, and the minimum distance above is 20in, and the minimum distance in front/rear and left/right is 8in as required, as shown in figure below.
- When big noise is found during operation of this dehumidifier, it is recommended inserting pads or damping rubber sheets, etc. below this dehumidifier, this can reduce vibration and noise, and can also reduce sinking of wood floor or carpet.



PRODUCT DRAWINGS



(Front side)



(Back side)

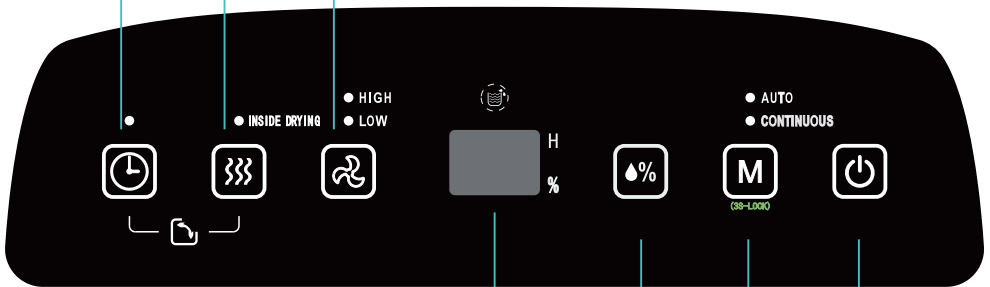
OPERATION INSTRUCTIONS

Control Panel

Timer 24h timer setup, press this key to set on/off time of the dehumidifier, and the setting range is 1-24h. If you need to cancel timer setup, press twice continuously after confirmation of setting time.

Dry key in dehumidifier Press this key to start drying procedure in the dehumidifier, this can prevent mold inside the dehumidifier due to damp. The whole drying procedure needs approximate 1h. Press this key again to cancel the drying function in the dehumidifier, and to recover to running state before starting drying.

Air speed: In AUTO or CONTINUOUS mode, HIGH and LOW can be circularly selected.



LCD Display Three LCD-Display Modes: Auto, Continuous and Drying. Please set a target humidity when the mode is Auto, then the machine will automatically adjust the humidity.

Humidity setting Once this key is pressed, the humidity is displayed circularly in the range 30%-80%,with 5% increment, and the humidity setting is only valid in AUTO mode.


Mode During startup or timer startup press this key to select AUTO, CONTINUOUS modes, etc., and the indicator lamp corresponding to the selected mode is on. Long press (3 seconds) the Mode button to activate the Child Lock. Repeat the process to turn the Child Lock off.

On/off key Press this key to turn on or turn off the dehumidifier


OPERATION INSTRUCTIONS

Operating methods


Timer On/Off

- 1 When the dehumidifier is running, press the “

Humidity Setting

- 1 Select “


Fan Speed

- Press the “


- 05 -

DRAINAGE

How to stop:

1. Press the “

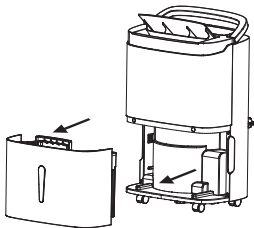
Air-swing function

- Press the “

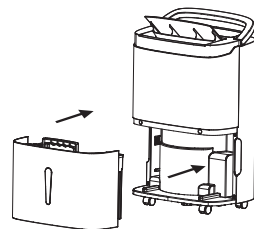
Manual Drainage

- When the tank is full of water, the water full icon on the control panel will flashing (the machine will stop running at this time), and the BUZZER rings ten times to remind the user until the water is poured out.

- Gently remove the water tank by placing hands in the recesses on the side of the rear case.
- Lift the water tank cover on the right side and pour the water out from inside the gap formed between the water tank and the water tank cover.



- Press the water tank cover, and turn the tank handle down.
- Gently return the water tank to the correct position before turning the dehumidifier back on



- Note: When the water tank is full, please empty the water in the tank. Before placing the tank return it back, please make sure the float is rotating flexibly and then push it into place.

DRAINAGE

Drainage method

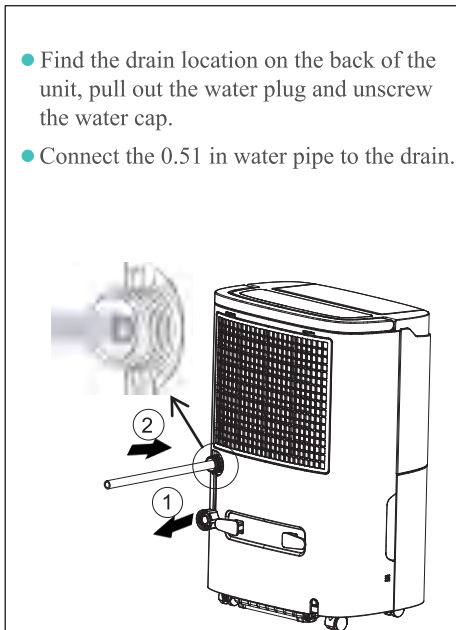
● If you do not want to drain water in the water tank frequently, you can connect a drainage pipe:

a. It can be connected a drainage pipe with an external diameter of 0.51 inch at the back of the unit.

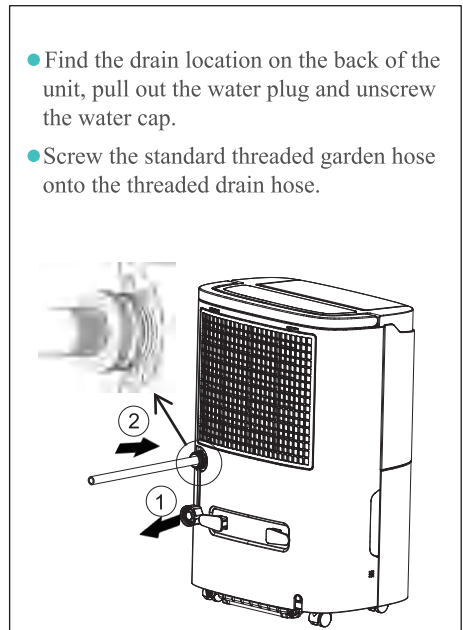
b. Garden hoses can also be with standard threads that have an outside diameter of 1.0625 inches and a pitch of 11.5 TPI.

Warm tips:

- This product has the function of water plate cleaning. When not used for a long time, it is recommended to unscrew the water cap for drainage cleaning the back of the unit.
- To avoid wetting the floor when cleaning or taking over the unscrewed water cap, please use a bucket to receive water.

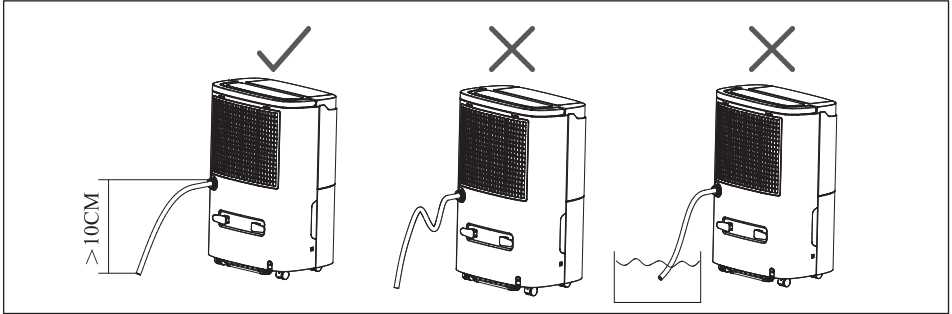


(a)



(b)

DRAINAGE



Note :

- The external water pipe should not be too long (the recommended length is less than 23.62 in), and the height of the end of the water pipe must be more than 3.93 in lower than the height of the unit drainage outlet. The water pipe must be kept smooth, otherwise it may not drain normally.

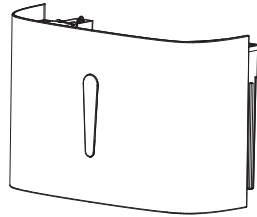
MAINTENANCE & CLEANING

Maintenance

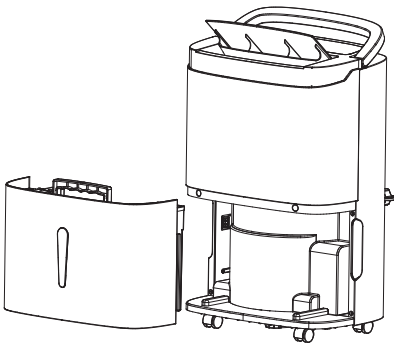
Precautions:

- Please disconnect power supply before maintenance or repair to prevent electric shock.
- If the dehumidifier is not used for long time, please disconnect power supply.
- Please do not clean the dehumidifier body with chemical solvents such as alcohol, gasoline and benzene, etc.

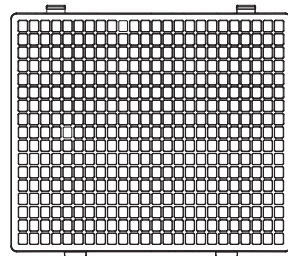
- Please clean the water tank and its cover with soft cloth dipped in cold or warm water at regular time to prevent mould inside the dehumidifier.



- Wipe the surface of the dehumidifier slightly with wet cloth, and do not use detergent or abrasive in case the plastic surface is damaged.



- Clean the filter and the frame at least once per two weeks simply with cold or warm water, do not use chemical solvents or hot water.



TROUBLESHOOTING

If the following problems occur to the dehumidifier, the following solutions can be adopted.

Symptoms	Possible Causes	Solutions
The dehumidifier does not run	Does power plug fall ?	Insert power plug into socket.
	Is the water tank full of water ? (the water tank is full of water or is placed at incorrect position)	Drain water from the watertank, and then install the water tank again.
	The ambient temperature is lower than 5°C or higher than 32°C	Normal phenomenon
The dehumidification function is not effective	Is the room temperature or humidity too low ?	In dry season the dehumidification ability will reduce.
	Are the air outlet and inlet blocked ?	Clean up the objects blocking the air outlet and inlet.
Air is not blown out	Is the air strainer blocked ?	Clean the air strainer according to the above method.
Noise is abnormal during operation	Is the dehumidifier placed improperly so that it is inclined or unstable ?	Please place the dehumidifier in smooth place.
	Is the air strainer blocked ?	Clean the air strainer according to the above method.
	There is “tittering” sound	The flowing sound of refrigerant, which is a normal phenomenon.

TROUBLESHOOTING

Symptoms	Possible Causes	Solutions
Water leaks	Connection of drainage pipe becomes loose	Fasten drainage pipe.
	Drainage system is blocked	Remove obstacles and straighten out water pipe.
Frosting occurs	The ambient temperature is low, and it is in the state waiting for defrost.	It is a normal phenomenon, and the dehumidifier has the automatic defrosting function.

Symptoms	Solutions
FL	The water tank is full
E1	The coil sensor detects anomaly
E2	The room temperature sensor detects anomaly
P1	The unit is in the defrosting state, normal
CL	The unit is in the internal drying state, normal
LC	Child lock function starts

Q: Why is less water stored in water tank of the dehumidifier in winter?

- In winter temperature is low and air is dry. In comparison with summer, the dehumidification ability of the dehumidifier decreases remarkably, it is not considered defective.

Q: Why the dehumidifier cannot run or stop running suddenly?

- This dehumidifier may be full of water or water tank is not installed properly, drain the water in water tank, or re-install water tank in correct way.
- At the moment the dehumidifier may be in the “dehumidification mode”, the ambient temperature is lower or higher (dehumidification cannot be performed when the ambient temperature is $<5^{\circ}\text{C}$ or $>32^{\circ}\text{C}$).
The ambient temperature for operation of the dehumidifier is $5 - 32^{\circ}\text{C}$, and the relative humidity is 30%-80%. The optimal temperature for use is $16-32^{\circ}\text{C}$.

Q: Why is hot air blown out from air supply outlet ?

- This dehumidifier extracts the air in the room, and the dehumidification unit cools the air, the temperature decreases below the condensation point, the air condenses into water drops, which falls into water tank finally, and the dehumidified air is heated by the temperature returning unit. This can reduce energy consumption and also accelerate dehumidification, therefore, hot air is blown out, it is not considered defective.

SPECIFICATIONS

MODEL	YDA-80
POWER SOURCE	115V~ 60Hz
MOISTURE REMOVAL (65 °F, 60%RH)	24 PINTS/DAY (11.3 L/DAY)
MOISTURE REMOVAL (80 °F, 60%RH)	35 PINTS/DAY (16.5 L/DAY)
MOISTURE REMOVAL (86 °F, 80%RH)	62 PINTS/DAY (30 L/DAY)
HIGHEST MOISTURE REMOVAL	80 PINTS/DAY (37.8 L/DAY)
INPUT POWER (65°F, 60%RH)	300W
TOTAL CURRENT	4.5A
IEF (65°F, 60%RH)	1.57 L/kWh
MOTOR FLA	0.5 A
MOTOR COMPRESSOR(RLA/LRA)	2.4 A / 16.2A
REFRIGERANT	R32/105g
MAXIMUM ALLOWABLE PRESSURE	5.0 MPa
HIGH PRESSURE	3.8 MPa
LOW PRESSURE	1.5MPa

WARNING

This product can expose you to chemicals including Styrene and its compounds which are known to the State of California to cause cancer and birth defects or other reproductive harm. For more information, please visit: www.P65Warning.ca.gov.

Additional warning for appliance with R32 refrigerant gas (refer to the rating plate for the type of refrigerant gas used)



CAUTION ON FIRE

READ THE MAUAL CAREFULLY BEFORE USING THE APPLIANCE R32 refrigerant. This appliance contains approximately 6.35Oz refrigerant gas.

Appliance shall be installed, operated and stored in a room with a floor area larger than 4m².

SPECIAL NOTES



- 1 When using the machine, please do not put it on a soft or uneven ground to prevent vibration and movement.



- 2 Do not insert any thin rods or hard items into the machine to prevent malfunctions and dangers.



- 3 When using the machine, please keep it away from any heating furnaces, electric kettles and other heating sources.



- 4 When using the machine, please close doors and windows for the optimal moisture removal effect.



- 5 Please do not put any objects around the machine. The dehumidification effect will be affected if the ventilation is bad.



- 6 Please unplug the machine from the power source if you do not use it for a long time.



- 7 When cleaning the machine, please use wet cloth to wipe gently. Do not spray water on it directly.



- 8 Please do not put any objects on the dehumidifier.



- 9 Please clean the filter every two weeks. Do not use hot water above 104°F, alcohol, gasoline or toluene.



- 10 When using the hose to drain continuously, please place the hose horizontally and make sure it is even and not winded.



- 11 After cleaning the filter, please do not dry it under direct sunlight to prevent it from deforming.



- 12 Before moving or carrying the machine around, please empty the water tank first.

WARRANTY & CONTACT US

Warranty

Kesnos offers a 12-month warranty to all of our products together with the original proof of purchase when a defect occurred, including those newly purchased and unused, from Kesnos or through an authorized reseller, wholly or substantially, or as a result of faulty manufacturing parts, or workmanship during the Warranty Period.

The warranty does not apply if damage is caused by other factors, including but without limitation of:

- (a) Normal wear and tear;
- (b) Abuse, mishandling, accident or failure to follow operating instructions;
- (c) Exposure to liquid or infiltration of foreign particles;
- (d) Servicing or modification of the product other than by Kesnos.

There are our general terms for the warranty service, but we always encourage our customers to contact us if any issues, regardless of warranty terms.

If you are experiencing an issue with Kesnos product, you can reach out to us at support@kesnos.com, we will dedicate our efforts to resolve it for you.

Extend Your Warranty by 1 Year

Register your product at www.kesnos.com to extend your 1-year warranty by an additional year.

*Please fill out all required fields and include your Order ID, Date of Purchased if applicable.

Customer Support

If you have any questions or concerns about our product, please feel free to contact our expert support team. Kesnos customer service is ready to help.

Kesnos Office

210 Henson Road Bldg A, Blacksburg, SC 29702 USA

Email: support@kesnos.com

Live Chat: www.kesnos.com

Support Hours

24 Hours available

*Please have your Order Number ready before contacting customer support.

KESNOS

For FAQs and more information please visit:

www.kenos.com



@Kenos



@Kenos



@Kenos



@Kenos



(Scan the QR Code for Live Chat)

We are expecting to see our products fulfill your life and hear your voice.

Your satisfaction means a lot to us.

Please tag us if you share a snap on your social media.

www.kenos.com