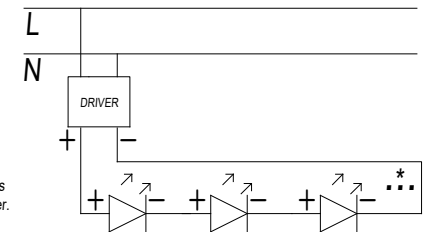
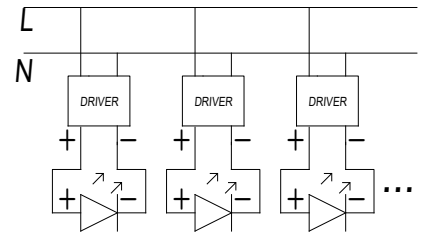
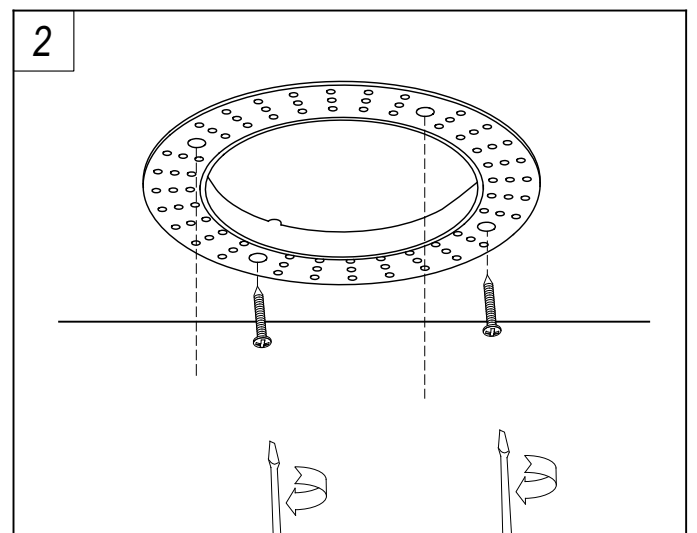
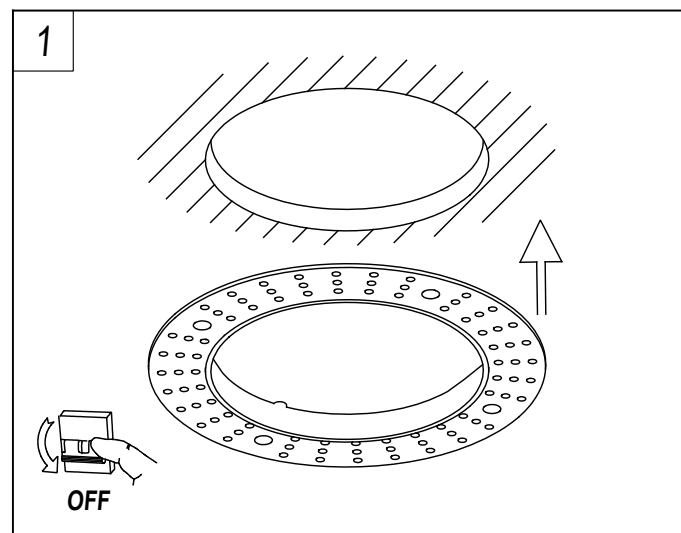


	7W	13W	18W
Vout	9	36	36
Iout max.	0.7A	0.35A	0.5A
h module	66	86	105

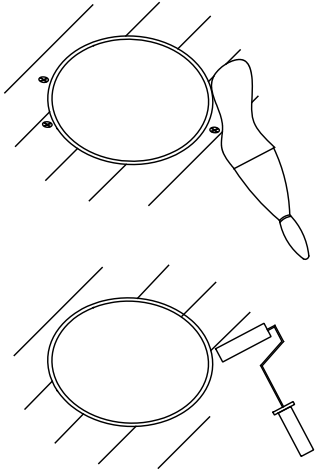


	A	B
	Ø100	Ø86
	0-18	0-18
X	85/105/125	95/115/135
Y	20	20

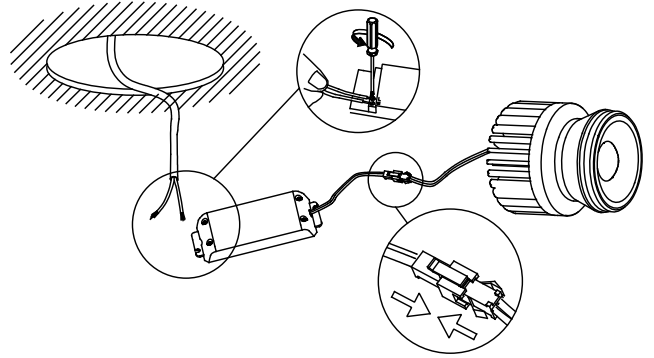
\* The number of modules that can be connected in series depends on the available output voltage of the LED driver.



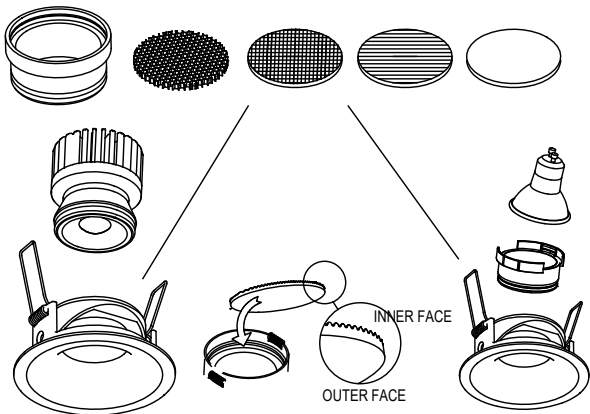
3



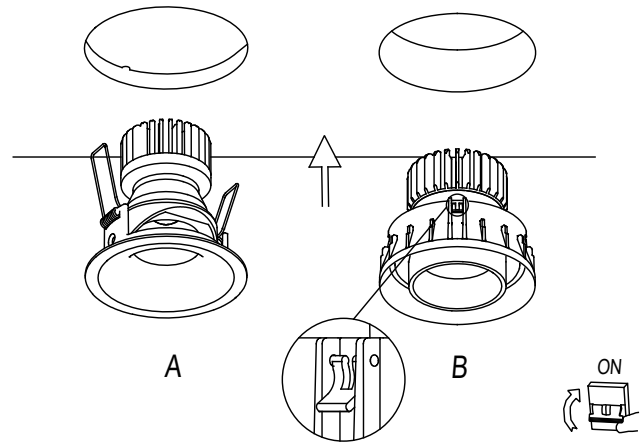
4



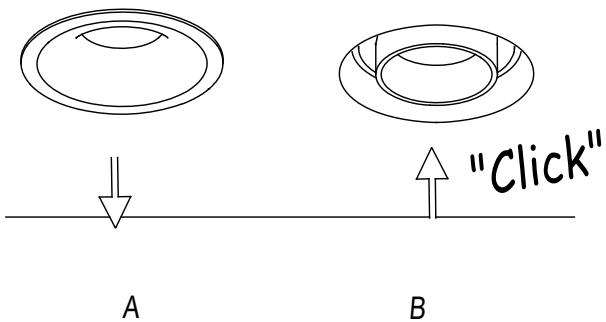
5



6



7



8

