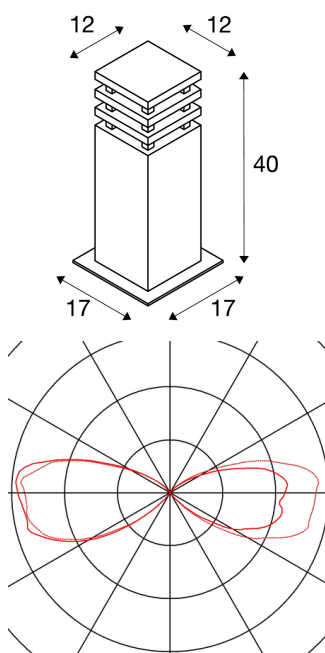




RUSTY SQUARE 40

outdoor floor stand, TC-DSE, IP55, square, rusted iron, L/W/H 12/12/40 cm, max. 11W

The directly radiating floor stands of the RUSTY SQUARE series convince by their exceptional rust look. This is achieved by a special chemical treatment of the FeCSI steel used, which produces a controlled rust layer on the surface, which protects the actual material from further corrosion. This makes the luminaires unique pieces and an absolutely special feature wherever they are installed. With protection class IP55, they are suitable for outdoor use. As an option an earth spike as well as a connection box for safe electrical connection are available within the bollard. The electrical connection of the versions available is made to the 230V mains supply.



TECHNICAL DATA

Item no.:	229420
Socket	E27
Number of sockets	1
Lamps included	0
Primary nominal voltage	230V ~50Hz mA/V
Length	12.0 cm
Width	12.0 cm
Height	40.0 cm
Net weight	11.616 kg
Gross weight	12.206 kg
IP Code	IP 55
Safety class	II
Assembly	Surface
Assembly details	Ground
Wattage	11.0 W
BIG WHITE Page	560

Recommended lamp

1001031	BRIGHT STIK LED E27 , lamp, 3000K, 240°, 810lm
551532	E27 LED tube lamp , 3000K, suitable for Outdoor fittings

Accessories

228730	CONNECTION BOX , 3-pin, IP68
229422	EARTH SPIKE , for RUSTY SQUARE, RUSTY PATHLIGHT, ARROCK, galvanised steel, 50 cm

Notes
