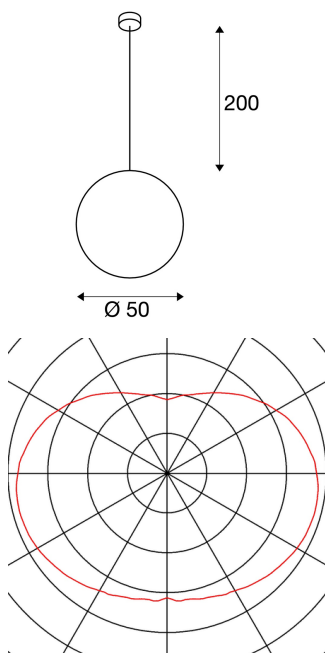




## ROTOBALL 50

pendant, TC-TSE, silver-grey/white, Ø 50 cm, max. 24W

The spherical ROTOBALL 50, 240V pendant features a lamp shade made of temperature resistant plastic, optically complimented by a silver grey, steel mounting bracket. The voluminous lamp shade, coupled with a standard E27 holder for energy-saving lamps, provides even illumination characteristics. The package includes an appropriate ceiling plate. The ROTOBALL 50 pendant is thus ready for direct connection to the 230V mains supply.



## TECHNICAL DATA

Item no.:	165400
Socket	E27
Number of sockets	1
TBD	0
Primary nominal voltage	230V ~50Hz mA/V
Pendant length	200.0 cm
Diameter	50.0 cm
Net weight	3.475 kg
TBD	5.742 kg
Safety class	I
Assembly	Surface
Assembly details	Ceiling
Wattage	24.0 W
BIG WHITE Page	80

## Recommended lamp

560422	A60 RETROFIT LED , lamp, E27, 2700K, 15W, dimmable
1001917	VALETO® LED lamp , GU10, RGBW, 240°, 9.5W

## Notes

---

---

---

---

---