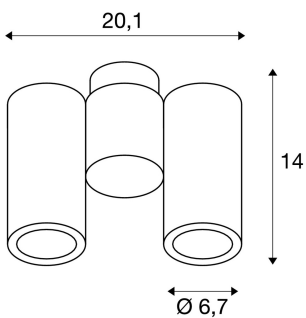




## ENOLA\_B

wall and ceiling light, double-headed, QPAR51, black, max. 100 W

The puristic ENOLA B surface mounted light features an aluminium and steel construction that is available with a black, white, brass, or silver grey housing. The lamp head can be rotated and swivelled. With its built-in GU10 high volt holder, the ENOLA\_B is ready for direct connection to 230V mains supply.



## TECHNICAL DATA

Item no.:	151830
Socket	GU10
Lamp	QPAR51
Number of sockets	2
Lamps included	0
Primary nominal voltage	220-240V ~50/60Hz mA/V
Tilt range	180 °
Horizontal rotation range	350 °
Length	21.5 cm
Width	6.7 cm
Height	14.0 cm
Net weight	0.857 kg
Gross weight	1.09 kg
Safety class	I
Assembly	Surface
Assembly details	Ceiling, Wall
Wattage	50.0 W
BIG WHITE Page	290

## Recommended lamp

1001030	LED QPAR51 GU10 , lamp, 38°, 2700K, 400 lm, dimmable
1001562	LED lamp , QPAR51, GU10, 7.2W, 36°, 3000K white

## Accessories

151840	ZIERRING , for ENOLA_B, black
--------	-------------------------------

## Notes

---

---

---

---

---