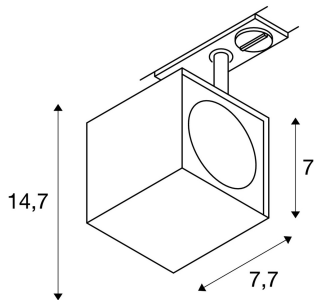




ALTRA DICE

spot for 240V 1-phase track, QPAR51, square, black, max. 50W, incl. 1-phase adapter

Adjustable high-voltage spot ALTRA DICE with suitable adapter for the 240V 1-phase track system. The luminaire is made of aluminium and, thanks to the GU10 socket, is suitable for both halogen and LED lamps. As an extension of the ALTRA DICE series we also offer wall and ceiling lights.



TECHNICAL DATA

Item no.:	143350
Socket	GU10
Lamp	QPAR51
Number of sockets	1
Lamps included	0
Primary nominal voltage	230V ~50/60Hz mA/V
Tilt range	180 °
Horizontal rotation range	350 °
Length	7.7 cm
Height	14.7 cm
Net weight	0.386 kg
Gross weight	0.518 kg
Safety class	I
Assembly	Surface
Assembly details	Ceiling,Track Ceiling,Wall
Wattage	50.0 W
BIG WHITE Page	395

Recommended lamp

1001030	LED QPAR51 GU10 , lamp, 38°, 2700K, 400 lm, dimmable
1001563	LED lamp , QPAR51, GU10, 7.2W, 36°, 3000K black

Notes
