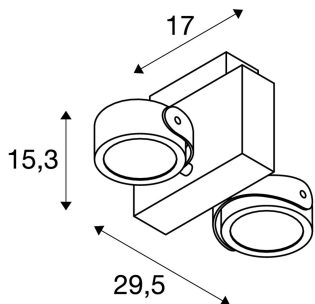




TEC KALU CW

LED Indoor surface-mounted wall and ceiling light double, white/black 60° 3000K

This futuristic 240V wall and ceiling light TEC KALU has individually rotating and swivelling lamp heads, equipped with warm white and dimmable Premium LEDs. The built-in LED driver is located within the main structure. An optionally available suspension allows pendulum mode. TEC KALU is supplied ready for direct connection to the 230V mains voltage supply.



TECHNICAL DATA

Item no.:	1001424
Primary nominal voltage	220-240V ~50/60Hz mA/V
Secondary power / secondary voltage	700 mA/V
Vertical tilting range	120 °
Horizontal rotation range	360 °
Length	29.5 cm
Width	17.0 cm
Height	15.3 cm
Net weight	1.815 kg
Gross weight	2.27 kg
Safety class	I
Assembly	Surface
Assembly details	Ceiling
Dimmable	Ja
Dimming technology	trailing edge
Wattage	31.0 W
Lumen	1900 lm
Colour temperature	3000 Kelvin
Beam angle	60 °
CRI	>80
Binning	6
Service life	40000 h

Accessories

1001435	TEC KALU suspension set , black
1001436	TEC KALU suspension set , white

Minimum ambient temperature	-20 °C
Maximum ambient temperature	40 °C
BIG WHITE Page	268

Notes
