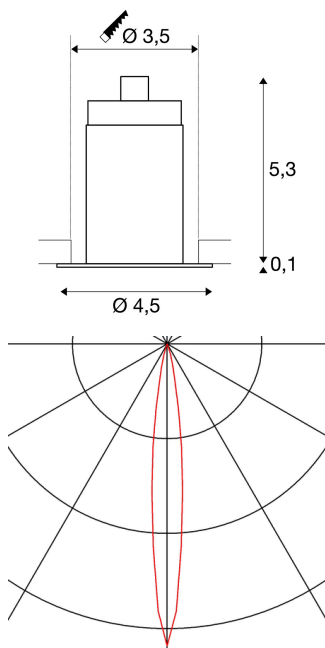




HORN MINI

recessed ceiling light, LED, 3000K, black, 12°

The rigid LED recessed spot, HORN MINI, is made of aluminium and is an LED light solution for applications where point accent lighting and low installation depth is needed. The warm-white 1W power LED provides the required illumination strength. To operate, the spot needs a suitable constant current driver rated at 350mA. This luminaire contains built-in LED lamps.



TECHNICAL DATA

| | |
|-------------------------------------|---------------|
| Item no.: | 1000915 |
| Lamps included | 0 |
| Secondary power / secondary voltage | 350 mA/V |
| Height | 5.4 cm |
| Diameter | 4.5 cm |
| Installation diameter | 3.5 cm |
| Installation depth | 6.0 cm |
| Net weight | 0.07 kg |
| Gross weight | 0.103 kg |
| Safety class | III |
| Assembly | Recessed |
| Assembly details | Ceiling, Wall |
| Wattage | 1.2 W |
| Lumen | 70 lm |
| Colour temperature | 3000 Kelvin |
| Beam angle | 12 ° |
| CRI | >90 |
| Binning | 6 |
| Service life | 30000 h |
| BIG WHITE Page | 474 |

Accessories

| | |
|--------|--|
| 111850 | MULTIWAY CONNECTOR , 3 outputs with two bridges, black, max. 350mA |
| 464031 | TCI LED DRIVER , 15VA, 350mA, incl. strain relief |
| 464107 | LED DRIVER , 3VA, 350mA, with AMP plug, incl. strain relief |

Notes
