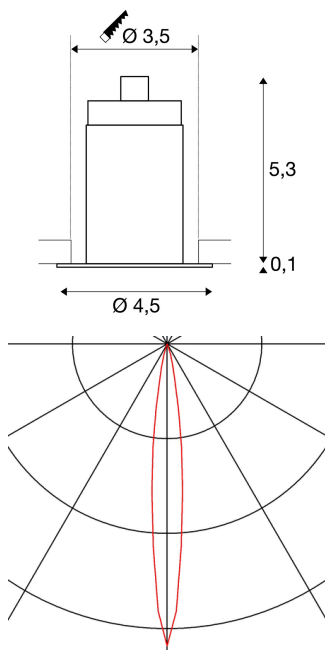




## HORN MINI

recessed ceiling light, LED, 3000K, white, 12°

The rigid LED recessed spot, HORN MINI, is made of aluminium and is an LED light solution for applications where point accent lighting and low installation depth is needed. The warm-white 1W power LED provides the required illumination strength. To operate, the spot needs a suitable constant current driver rated at 350mA. This luminaire contains built-in LED lamps.



## TECHNICAL DATA

Item no.:	1000914
Lamps included	0
Secondary power / secondary voltage	350 mA/V
Height	5.4 cm
Diameter	4.5 cm
Installation diameter	3.5 cm
Installation depth	6.0 cm
Net weight	0.07 kg
Gross weight	0.105 kg
Safety class	III
Assembly	Recessed
Assembly details	Ceiling, Wall
Wattage	1.2 W
Lumen	70 lm
Colour temperature	3000 Kelvin
Beam angle	12 °
CRI	>90
Binning	6
Service life	30000 h
BIG WHITE Page	474

## Accessories

111850	MULTIWAY CONNECTOR , 3 outputs with two bridges, black, max. 350mA
464031	TCI LED DRIVER , 15VA, 350mA, incl. strain relief
464107	LED DRIVER , 3VA, 350mA, with AMP plug, incl. strain relief

## Notes

---

---

---

---

---