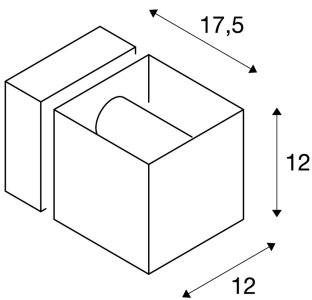


SQUARE TURN

QT14, outdoor wall light, silver-grey, max. 42W, IP44

Cube-shaped wall light made from aluminium. The frosted, self-supporting protective glass is placed within the rotatable lamp head and surrounded by its housing. It is protection class IP44 and suitable for outdoor use. The electrical connection is made directly to the 230V mains supply. In addition, the installation can be extended by floor lamps of the series.



TECHNICAL DATA

Item no.:	1000335
Socket	G9
Lamp	QT14
Number of sockets	1
Primary nominal voltage	230V ~50Hz mA/V
Width	12.0 cm
Height	12.0 cm
Depth	17.8 cm
Net weight	1.303 kg
Gross weight	1.423 kg
IP Code	IP 44
Safety class	I
Assembly	Surface
Assembly details	Wall
Wattage	42.0 W
BIG WHITE Page	657

Recommended lamp

1003102	LED lamp QT14 , G9, 2600K, 250lm, dimmable
560302	G9 LED , lamp, 2.5W, 2700K, Multidot

Notes
