

PRO-0431R

Connection Parts

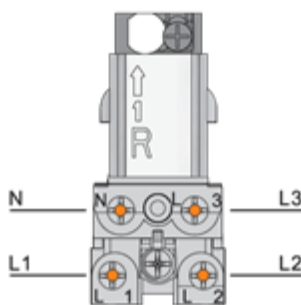
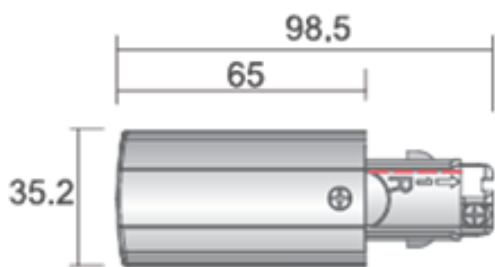


Connector Right



Product code White (RAL 9010) EAN code White	PRO-0431R-W 8719747930243
Product code Grey (RAL 7040) EAN code Grey	PRO-0431R-S 8719747930250
Product code Black (RAL 9011) EAN code Black	PRO-0431R-B 8719747930267
Main materials	PC UL94V0 + Copper + Steel
Net weight per piece	61 g
Inner box / outer box	12 / 144 pcs
Rated voltage per circuit	230V / 16A

Dimensions



Red line on the diagram indicates the polarity ridge

**ON THE RIGHT TRACK**



RoHS

