

Play Soft Round Fixed Trimless

LedsC4 Team

Downlight Play Soft Round Fixed Trimless 14.3 LED warm-white 3000K CRI 90 33.5° PHASE CUT White IP54 1237lm

Image may not match reference. LedsC4 reserves the right to amend any of the product's components. The data related to flux, power and colour temperature may be subject to changes made by the manufacturer.

Technical features

Luminaire total power: 14.3W

Real lumens: 1237

Real lm/W: 87

Correlated Colour Temperature (CCT): LED warm-white 3000K

Lens / reflector angle: MEDIUM 34°

UGR: <=16

Structure material: Aluminium

Structure finish: White

Diffuser material: Methacrylate

Diffuser finish: Transparent

Driver Brand: OSRAM

Voltage / frequency: 220-240V/50-60Hz

Dimming protocol: PHASE CUT

Power Factor: 0.90

Useful life: 50,000h L80B20

Warranty: 2 años



Luminotechnic features

CRI: 90

MacAdam steps: 2

Photobiological risk: RG1

UGR		Lampholder	Quantity	Light source power (W)
S=0.250				
Ceiling / cavity	0.7	LED	1	11.9W
Walls	0.5			
Working Plane	0.2			
Room dimensions	X=4H, Y=8H			
UGR crosswise	15.5			
UGR lengthwise	15.5			

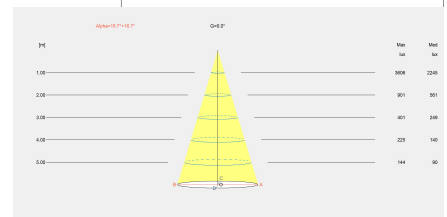
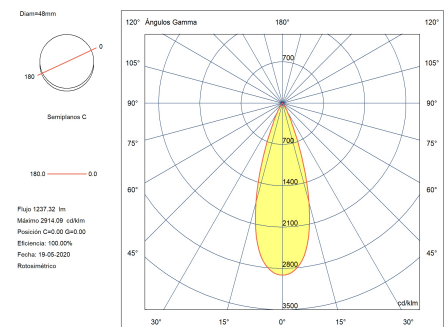
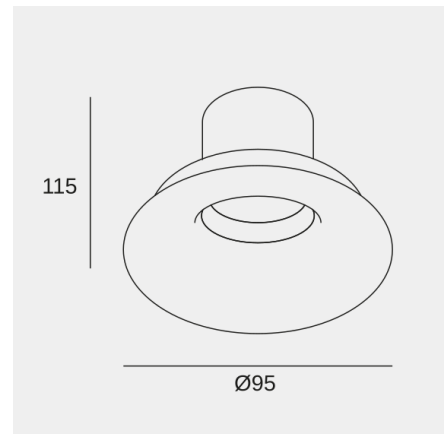


Image may not match reference. Ledsc4 reserves the right to amend any of the product's components. The data related to flux, power and colour temperature may be subject to changes made by the manufacturer.

Play Soft Round Fixed Trimless

LedsC4 Team

Downlight Play Soft Round Fixed Trimless 14.3 LED warm-white 3000K CRI 90 33.5° PHASE CUT White IP54 1237lm

Image may not match reference. LedsC4 reserves the right to amend any of the product's components. The data related to flux, power and colour temperature may be subject to changes made by the manufacturer.

Logistics



Net weight (kg): 0.39

Packaged weight (kg): 0.49

Packaging: 220mm x 150mm x 140mm

Image may not match reference. LedsC4 reserves the right to amend any of the product's components. The data related to flux, power and colour temperature may be subject to changes made by the manufacturer.