



Model NRCP111 and NRCP98 Series Residential Condensing Tankless Water Heater Specification Sheet



DV Model

- **Standard Input-** Gas consumption ranges:
NRCP111 : 18,000 BTUh to 199,000 BTUh
NRCP98 : 18,000 BTUh to 180,000 BTUh
- **Capacity Range-** Flow rates of 0.5 GPM up to 11.1 GPM (NRCP1112)
and 10.1 GPM (NRCP982)
- **Compact Design-** ANSI Z21.10.3/CSA 4.3 certified design that can be wall-mounted indoors
- **Durable Steel Casing with Polyester Coating**
- **Heat Exchanger-** Manufactured with STS 304 stainless steel
- **Venting Options-** For indoor installation only. Convertible to Single Vent (-SV) with the use of SV-CK-3 kit. Convertible to Outdoor (-OV) with the VCK-NRCP-1 kit.
- **Direct Electronic Ignition**
- **Uniform Energy Factor (UEF)** - 0.94(NG) / 0.94(LP) for NRCP1112
0.94(NG) / 0.94(LP) for NRCP982
- **Temperature Controls-** Includes remote thermostat that can precisely adjust the output temperature from 100°F to 140°F with the capability to display temperatures in both °C and °F
- **Power Cord Installation Kit-** 6' power cord is included
- **Safety Devices-** Flame Sensor, Overheat Cut off Limit Switch, Gas Leak Detector Sensor, Water Leak Detector Sensor, Exhaust Temperature Sensor, Water Temperature Sensor
- **Recirculation Mode-** Includes built in recirculation pump to provide preheated water with a dedicated return line or conversion to on-demand recirculation with IHK-NRCP kit.
- **Cross over compatible-** Compatible with crossover valve (#cCS-V) kit for external recirculation without the use of a return line.
- **12-Year* Limited Heat Exchanger Warranty for Residential Use**
- **5-Year Limited Parts Warranty**
- **1-Year Reasonable Labor**

Model

NRCP111-DV
NRCP98-DV

Accessories

- 3" PVC Termination (#PVC-3CT)
- PVC Terminal (#PRC-1)
- Horizontal Hood Termination (#PVT-HL)
- SV Conversion Kit (#SV-CK-3) 90 Elbow with Inlet Screen
- Isolation Valves (#IK-WV-200-1)
- Neutralizer (NC-1S) (For 1 Water Heater)
- Vent Screens with Finishing (2") (After Market)
- PVC Reducer Bushing (3in X 2in) (After Market)
- Quick Connect Cord (#QC-NRCP-1)
- Quick Connect Cord (#QC-NRCP-1)
- Crossover Valve Kit (#cCS-V)
- On-Demand Recirculation Kit (#IHK-NRCP)
- Outdoor Conversion Kit (#VCK-NRCP-1)
- Pipe Cover (PC-9S)



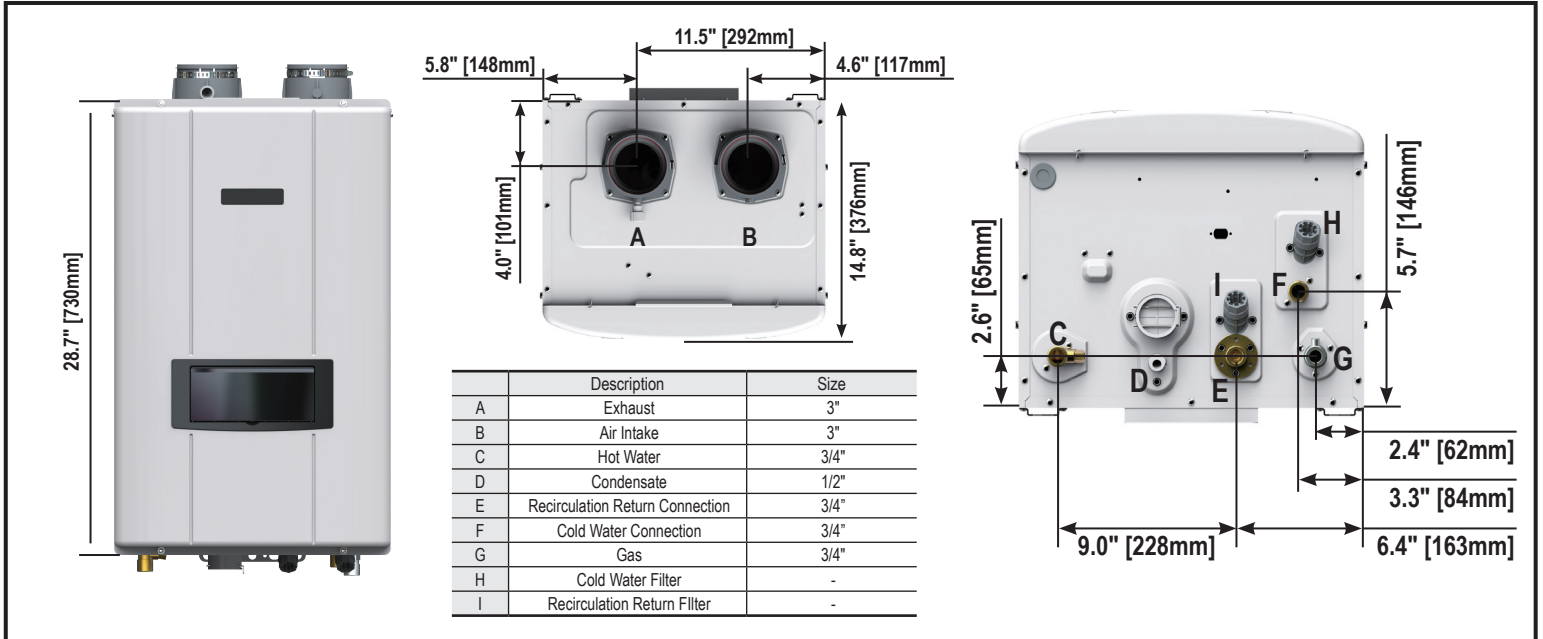
Low NOx Approved
by SCAQMD
14ng/l or 20ppm
(Natural Gas Only)



*Heat Exchanger warranty is maintained at 12 years, when used in a single family dwelling in accordance with the installation Manual. Refer to Noritz Limited Warranty for complete coverage details.

** This product complies with California AB 1953 Low Lead Law and Section 1417(d) of the Safe Drinking Water Act

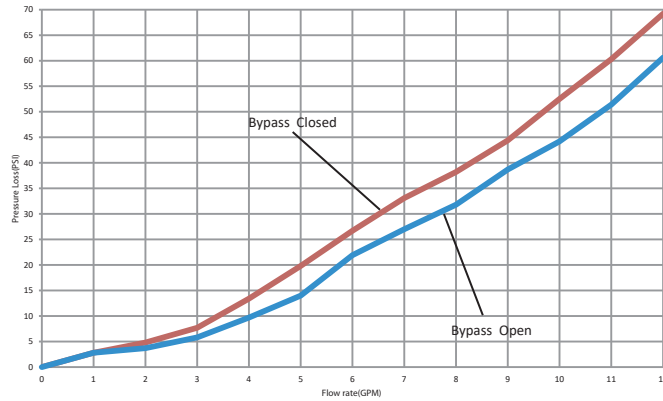
Dimensions



Flow Rates

Temperature Rise (°F)		30	40	45	50	60	70	80	90	100
Flow Rate (GPM)	NRCP111-DV	11.1	9.6	8.6	7.7	6.3	5.4	4.7	4.2	3.7
	NRCP98-DV	9.6	8.7	7.8	7.0	5.8	4.9	4.2	3.8	3.5

NRCP Pressure Loss



Specifications

Model Name		NRCP111-DV	NRCP98-DV
Weight		85 (pounds)	
Operating Pressure		15 - 150 psi	
Gas Supply Pressure		NG: 3.5" - 10.5" LP: 8.0" - 14.0"	
Water Holding Capacity		Under 2 Gallon	
Connection Sizes	Water Inlet	3/4"	
	Hot Water Outlet	3/4"	
	Gas Inlet	3/4"	
	Condensate Drain	1/2" Threaded	
	Recirculation Return	3/4"	
Power	Supply	120VAC 60Hz	
	Consumption	172W(82W+90W_PUMP)	
Freeze Protection		42°F (5.5°C) - 46°F (8°C)	
Temperature Settings	°F Mode	Normal Temp: 100-120°F, High Temp : 125-140°F (In 5°F intervals) (9 Options)	
	°C Mode	Normal Temp: 38-49°C, High Temp : 51.5-60°F (In equivalent 5°F intervals) (9 Options)	