



## HR3L Humidifier

PLEASE READ ALL THE INSTRUCTIONS BEFORE USE



[duronic.com](http://duronic.com)



[duronic](https://www.youtube.com/duronic)



[@duronicmedia](https://www.instagram.com/duronicmedia)



[Duronic](https://www.facebook.com/Duronic)



[@duronicmedia](https://www.twitter.com/duronicmedia)



**English Manual**

## Safety Instructions

**Warning!** Read all safety warnings and all instructions. Failure to follow the warnings and instructions listed below may result in electric shock, fire and/or serious injury.

- Read all of this manual carefully before using the appliance.
- The intended use is described in this manual. The use of any accessory or attachment or the performance of any operation with this appliance other than those recommended in this instruction manual may present a risk of personal injury.

**Warning!** When using mains-powered appliances, basic safety precautions, including the following, should always be followed to reduce the risk of fire, electric shock and personal injury and material damage.

- The intended use is described in this manual. The use of any accessory or attachment or the performance of any operation with this appliance other than those recommended in this instruction manual may present a risk of personal injury.
- Retain this manual for future reference.

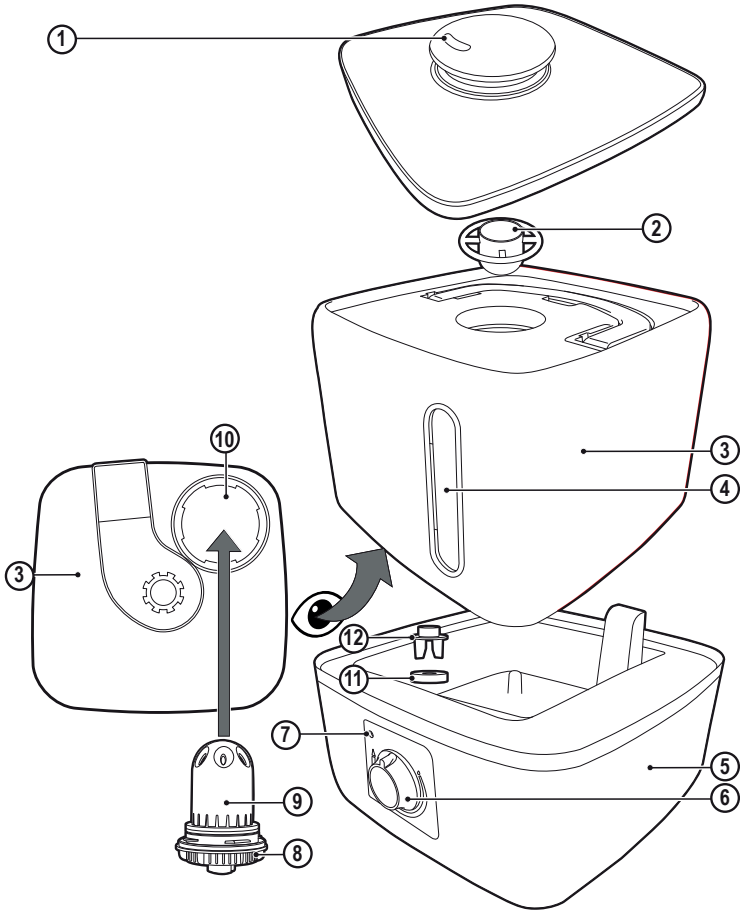
**Warning!** In order to avoid overheating, do not cover the humidifier.

**Warning!** To reduce the risk of water-based bacteria being discharged into the room, regular cleaning and disinfecting is strongly recommended.

### Electrical safety

Before use, check that the mains voltage corresponds to the voltage on the rating plate.

- To avoid the risk of electric shock, do not immerse the cord, plug or motor unit in water or other liquid.
- Check that the supply voltage shown on the rating plate of the appliance matches that of your electrical system. Any connection error will invalidate the guarantee.



## Product Specifications

- |    |                    |     |                  |
|----|--------------------|-----|------------------|
| 1. | Mist outlet        | 7.  | Indicator light  |
| 2. | Aroma tray         | 8.  | Water Inlet plug |
| 3. | Water tank         | 9.  | Filter           |
| 4. | Water level window | 10. | Water inlet      |
| 5. | Base               | 11. | Float            |
| 6. | Control Dial       | 12. | Float holder     |

Model Name	Rated Frequency	Rated Power	Water Tank
HR3L	220-240V	25W	3L

## Using your appliance

- Always take care when using the appliance
- Never pull the power supply cord to disconnect the plug from the socket
- Keep the power supply cord away from heat, oil and sharp edges
- Do not place the appliance on or near heat sources or in a heated oven
- Do not use the appliance outdoors
- Always protect the motor unit from water or excessive humidity
- If the power supply cord is damaged during use, disconnect the appliance from the power supply immediately. Do not touch the power supply cord before disconnecting from the power supply
- Disconnect the appliance from the power supply when not in use, before fitting or removing parts and before cleaning
- Never let the appliance operate unattended
- Do not let the cord hang over the edge of a table, counter, or touch hot surfaces
- Fully uncoil then guide the power supply cord neatly so it cannot be caught accidentally or tripped over
- The humidifier must not be located immediately below a socket-outlet
- To prevent overload and blown fuses, do not plug other appliance into same outlet (receptacle)
- Do not place the humidifier on carpets, don't place the cable under carpets. Arrange cord away from track areas so that it will not be tripped over
- NEVER use this humidifier where it may come into contact with water i.e. bathroom, shower room, kitchen. Do not use this heater in the immediate surroundings of a bath, a shower or a swimming pool.

- Always ensure that hands are dry before operating or adjusting any switch on the product or touching the plug and mains supply connections.
- Do not use this humidifier with a programmer, timer, separate remote-control system or any other device that switches the humidifier on automatically, since a fire risk exists if the humidifier is covered or positioned incorrectly.
- To prevent a possible fire, do not block air intakes or exhaust in any manner. Do not use on soft surfaces, like a bed, where openings may become blocked.
- Don't use extension cable.
- Always operate on a flat horizontal surface.
- Do not insert or allow foreign objects to enter any ventilation or exhaust opening, as this may cause an electric shock, fire or damage to the appliance.
- Do not operate in areas where gasoline, paint or other flammable liquids are used or stored
- The most common cause of overheating is deposits of dust or fluff in the appliance. Ensure these deposits are removed regularly by unplugging the appliance and vacuum cleaning air vents and grilles.
- Always use the humidifier in an upright position.
- To disconnect the appliance, switch it "OFF" then remove.
- Always leave sufficient space around the humidifier for ventilation.
- Do not use any additives in the water tank.

## Use

- Unplug the appliance during filling and cleaning
- Place the appliance on a flat, stable surface
- Remove the mist outlet (1)
- Turn the water tank (3) upside down and turn the water inlet plug (8) anti-clockwise
- Fill the water tank with water

Note: Water must be clean and the temperature must not higher than 40 °C

Replace the water inlet plug into the water tank, turning clockwise, until fully locked

- Connect the power supply cord to the power outlet and switch on the appliance by turning the control dial (6) clockwise
- The indicator light (7) lights up green
- Adjust the control dial (6) to control the mist level
- If the water tank is running out of water, the Indicator Light lights up in red and the appliance stops working

Warning! Do not move the appliance before it is switched off and unplugged. The appliance should be moved as a whole

## Cleaning and Maintenance & Storage

Warning! Before cleaning and maintenance, switch the appliance off and remove the plug from the socket.

Warning! Do not immerse the appliance or the cord set or the plug in water or any other liquid.

The appliance is easier to clean if you do so immediately after use.  
Do not use abrasive cleaning agents, scourers, acetone, alcohol etc. to clean the appliance.



Remove the water inlet plug and flush it with clean water.

Clean the base with a damp cloth. Never immerse the base in water nor rinse it under the tap.

For incrustation in the water tank and ultrasonic dish, brush it with citric acid and then wash it with clean water

## **Mains Plug Replacement**

If a new mains plug needs to be fitted:

- Safely dispose of the old plug.
- Connect the brown lead to the live terminal of the new plug.
- Connect the blue lead to the neutral terminal.
- If the product is class I (earthed), connect the green / yellow lead to the earth terminal.

Warning! If your product is class II double insulated (only 2 wires in the cord set), no connection is to be made to the earth terminal.

Follow the fitting instructions supplied with good quality plugs.

Any replacement fuse must be of the same rating as the original fuse supplied with the product.



# Warranty

1 Year Guarantee from Shine-Mart Ltd, Trademark owners of Duronic Products.  
 NOTE: THESE STATEMENTS DO NOT AFFECT YOUR STATUTORY RIGHTS AS A CONSUMER

This product has been manufactured under the strictest or quality control procedures, and using the highest quality of materials, to ensure excellent performance and reliability. It will give very good and long lasting service, provided it is properly used and maintained. The product is guaranteed for 1 years from the date of original purchase. If any defect arises due to a faulty materials or poor workmanship, the faulty product must be returned to the original place of purchase. Refund or replacement is at the discretion of that company.

Duronic Products are offered with a 1 year guarantee under the following conditions:

1. The product must be returned to the retailer with original proof of purchase.
2. The product must be installed and used in accordance with the instructions contained in this operating manual.
3. It must be used only for domestic purposes.
4. It does not cover wear and tear, malicious damage, misuse, neglect, inexpert repairs or consumable parts.
5. Shine-Mart Ltd has no responsibilities for accidental or consequential loss or damage.
6. Shine-Mart Ltd are not liable to carry out any type of servicing work, under the guarantee
7. Valid in the UK only



This product is fitted with CE:1363 plug and fuse  
 Imported by Shine-Mart Ltd, RM3 8SB



Information on waste Disposal for Consumers of  
 Electrical & Electronic Equipment.

This mark on a product and/or accompanying documents indicates that when it is to be disposed of, it must be treated as Waste Electrical & Electronic Equipment, (WEEE).

Any WEEE marked products must not be mixed with general household waste, but kept separate for the treatment, recovery and recycling of the materials used.

For proper treatment, recovery and recycling; please take all WEEE marked waste to your Local Authority Civic waste site, where it will be accepted free of charge.

If customers dispose of Waste Electrical & Electronic Equipment correctly, they will be helping to save valuable resources and preventing any potential negative effects upon human health and the environment, of any hazardous materials that the waste may contain.

## Follow Us







**DURONIC**