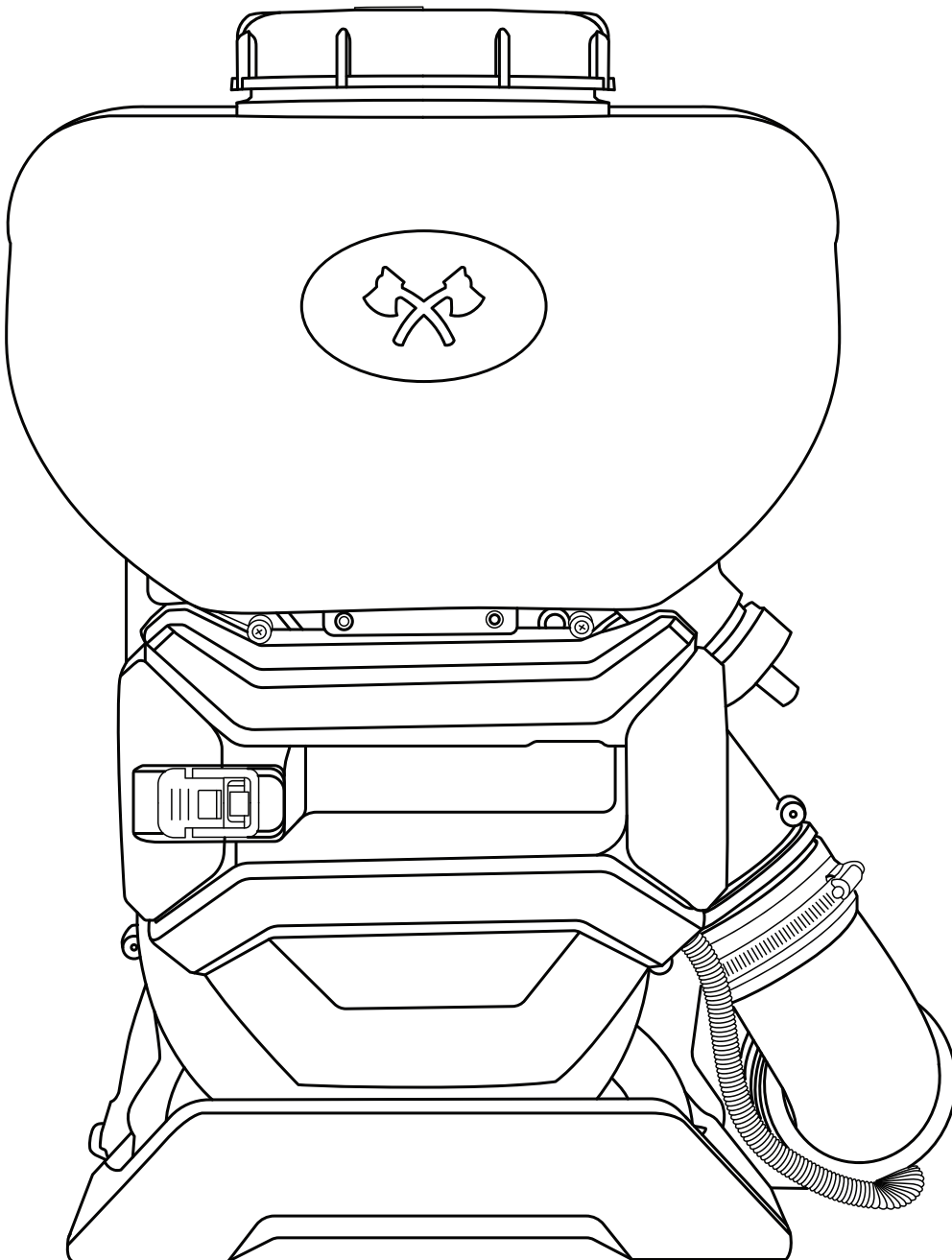


# TOMAHAWK

eTMD14  
BATTERY POWERED FOGGER

Operation Manual



**2** IN ONE

MOSQUITO FOGGER  
LEAF BLOWER

**36V** LITHIUM ION  
6500 MAX

**1 YEAR**  
ON EQUIPMENT  
WARRANTY

FIND THE HOW TO GUIDE HERE



# TABLE OF CONTENTS

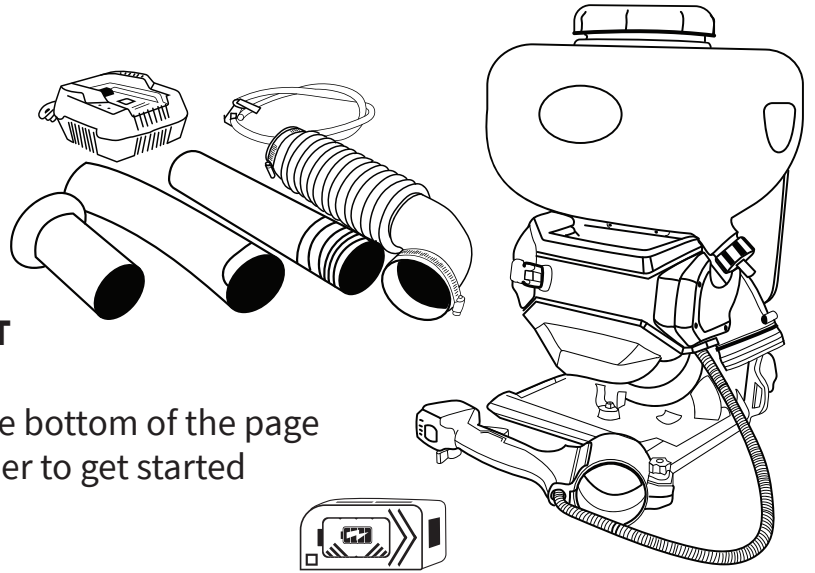
<b>1. SAFETY INFORMATION</b>	<b>4</b>
<b>2. OPERATING SAFETY</b>	<b>5</b>
2.1 General Notes	5
2.2 Usage Safety	5
2.3 Chemical Handling	6
2.4 Battery Safety	6
2.5 Service Safety	6
<b>3. EQUIPMENT PERFORMANCE</b>	<b>7</b>
3.1 Backpack Fogger Design	7
3.2 TOMAHAWK® Battery	7
3.3 Specifications	7
3.4 Battery Fogger Parts	8
3.5 Unpacking the Unit	8
3.6 Spraying Accessories	8
<b>4. EQUIPMENT ASSEMBLY</b>	<b>9</b>
4.1 Warnings	9
4.2 Assembly Guide	9
<b>5. CHARGING THE BATTERY</b>	<b>12</b>
5.1 Warnings	12
5.2 How to Charge	12
5.3 While Charging	12
5.4 Installing the Battery	12
<b>6. BACKPACK STRAPS ADJUSTMENT</b>	<b>13</b>
<b>7. OPERATION</b>	<b>14</b>
7.1 Holding the Tool	14
7.2 Starting and Stopping the Machine	14
7.3 Cruise Control Setting	15
7.4 Filling the Tank	15
7.5 Mist Blowing Tips	16
7.6 Adjusting the Discharge Rate	16
7.7 When Spraying is Complete	16
7.8 Leaf Blowing Tips	17
<b>8. STORAGE</b>	<b>17</b>
<b>9. REPLACEMENT PARTS</b>	<b>18</b>
<b>10. TROUBLESHOOTING</b>	<b>18</b>
<b>11. EQUIPMENT WARRANTY</b>	<b>19</b>
<b>12. PARTS MANUAL</b>	<b>20</b>
<b>13. TOMAHAWK CATALOG &amp; COUPON</b>	<b>22</b>

# Register Your Equipment

Thank you for purchasing TOMAHAWK® equipment! Your product is covered by the TOMAHAWK® Warranty Policy, but in order to activate your warranty, we need you to register your product. In addition to activating your equipment warranty, product registration will grant you access to important product updates, streamlined customer service, and more.

## INCLUDED WITH YOUR REGISTRATION

- ✓ Equipment Warranty Activation
- ✓ Product Updates
- ✓ Streamlined Customer Service
- ✓ Exclusive Discounts and Sales



## STEPS TO REGISTER YOUR EQUIPMENT

1. Visit [www.tomahawk-power.com](http://www.tomahawk-power.com)
2. Choose “Product Registration” at the bottom of the page
3. Enter your equipment’s serial number to get started
4. Provide all required information
5. Submit Registration

# Equipment Resources

TOMAHAWK® Customer Service doesn’t stop at checkout. We understand to keep a job-site running smoothly - the proper equipment, spare parts, instruction manuals, and more are needed at the drop of a hat. Visit [www.tomahawk-power.com](http://www.tomahawk-power.com) to gain access to the incredible resources below.

## How To Video Library

More of a visual person? Visit our Video Library for equipment assembly instructions, troubleshooting tips, and more!

**Found on each product listing or the Service Videos Page**

## Manual and Assembly Guide Library

Visit our Manual Library if you are looking for a lost operations manual or a particular spare part?

**Found on each product listing or the Tomahawk Manuals Page**

## Service Requests

In need of a quick fix or a service center referral? Submit a Service Request and a Tomahawk Technician will respond shortly to get you the help you need.

**Choose “Service Request” at the bottom of [www.tomahawk-power.com](http://www.tomahawk-power.com)**



This manual provides information and procedures to safely operate and maintain this equipment. For your own safety and protection from injury, carefully read, understand, and observe the safety instructions described in this manual.

Keep this manual or a copy of it with the equipment. If you lose this manual or need an additional copy, please contact Tomahawk Power, LLC or visit [www.tomahawk-power.com](http://www.tomahawk-power.com). This equipment is built with user safety in mind; however, it can present hazards if improperly operated or serviced. Follow operating instructions carefully. If you have questions about operating or servicing this equipment, contact TOMAHAWK®.

The information contained in this manual is based on equipment's production at the time of publication. TOMAHAWK® reserves the right to change any portion of this information without notice.

No part of this publication may be reproduced in any form or by any means, electronic or mechanical, including photocopying, without express written permission from TOMAHAWK®.

Any type of reproduction or distribution not authorized by TOMAHAWK® represents an infringement of valid copyrights and will be prosecuted. We expressly reserve the right to make technical modifications, even without due notice, which aim at improving our machines or their safety standards.

## 1. SAFETY INFORMATION

This manual contains DANGER, WARNING, CAUTION, and NOTE callouts which must be followed to reduce the possibility of personal injury, damage to the equipment, or improper service.



This is the safety alert symbol. It is used to alert you to potential personal injury hazards. Obey all safety messages that follow this symbol to avoid possible injury or death.



**DANGER** indicates an imminently hazardous situation which, if not avoided, will result in death or serious injury.



**WARNING** indicates a potentially hazardous situation which, if not avoided, could result in death or serious injury.



**CAUTION** indicates a potentially hazardous situation which, if not avoided, may result in minor or moderate injury.



Indicates a possibly dangerous situation. Where there is a risk of damaging the machine or its individual components.



Indicates to read the Operation Manual. It is important that you read the operation manual before first use and keep it in a safe place for future reference.

## 2. OPERATING SAFETY



**WARNING** Familiarity and proper training are required for the safe operation of equipment! Equipment operated improperly or by untrained personnel can be dangerous! Read the operating instructions contained in both this manual and the engine manual and familiarize yourself with the location and proper use of all controls. Inexperienced operators should receive instruction from someone familiar with the equipment before being allowed to operate the machine.

### 2.1 General Notes

**2.1.1** Individuals who operate this machine must be informed about the dangers related to use of the machine.

**2.1.2** Keep bystanders, especially children and animals, away from the work area.

**2.1.3** The user is responsible for avoiding injury to third parties or damage to their property.

**2.1.4** If you have any condition that might be aggravated by strenuous work, check with your doctor before operating this power tool.

**2.1.5** Minors should never be allowed to use this product.

### 2.2 Usage Safety

**2.2.1 NEVER** lend or rent your power tool without the instruction manual. Be sure that anyone using it understands the information contained in this manual.

**2.2.2 NEVER** operate the machine if you are under the influence of any substance (drugs, alcohol) which might impair vision, dexterity, or judgment.

**2.2.3 NEVER** operate the machine near open flame or explosive areas.

**2.2.4 NEVER** expose machine to wet conditions.

**2.2.5 NEVER** handle machine with wet hands.

**2.2.6 ALWAYS** wear ear protection.

**2.2.7 OBSERVE** all applicable local safety regulations, standards, and ordinances.

## 2.3 Chemical Handling

**2.3.1 ALWAYS** wear eye protection when handling chemicals.

**2.3.2 ALWAYS** wear the proper protective equipment/clothing when handling chemicals. Proper protective equipment includes safety goggles or glasses, mask/respirator, and a long-sleeved shirt and long pants.

**2.3.3 ALWAYS** use mask to protect mouth and face from dust and/or pesticide when handling chemicals.

**2.3.4 ALWAYS** after spraying, wash hands and clothing immediately.

## 2.4 Battery Safety

**2.4.1 NEVER** store or charge battery in wet conditions.

**2.4.2 NEVER** make any adjustments to the tool if battery is connected.

**2.4.3 NEVER** interfere with the batteries integrity as this can cause injury and void warranty.

**2.4.4 NEVER** use or dispose battery in fire as this can cause it to explode. Check local codes for more information on proper battery disposal.

**2.4.5 NEVER** use equipment if it has been damaged or modified as this can cause injury.

**2.4.6** When not in use, ensure battery is stored in a dry place away from any flammable objects.

**2.4.7** Allow battery to cool down after each use to avoid burn injuries.

**2.4.8** Only use the manufacturer's designated battery with this machine. Use of any other battery can damage unit and will void warranty.

**2.4.9** Battery leakage may occur when operated in extreme temperature conditions. If battery liquid contacts skin, wash immediately with water and soap, following with white distilled vinegar or lemon juice to neutralize. If the liquid comes in contact with eyes, flush out eyes with water for 10 minutes and seek medical attention immediately.

**2.4.10** Have all servicing done by an approved TOMAHAWK® Technician or Service Center with original replacement parts.

## 2.5 Service Safety



**WARNING** Poorly maintained equipment can become a safety hazard! In order for the equipment to operate safely and properly over a long period of time, periodic maintenance and occasional repairs are necessary.



**WARNING** Always follow the chemical manufacturer's instructions, safety guidelines, and recommendations when using any chemicals/solutions with this machine.

### 3. EQUIPMENT PERFORMANCE

#### 3.1 Backpack Fogger Design

TOMAHAWK® Battery Powered Mosquito Foggers are your best solution for fighting annoying mosquitoes. Powered by a 36V/9Ah Lithium-Ion battery, spray 1 acre of land in less than 30 minutes to stop pests fast! Great for year-round use, this machine is perfect for applying pesticides up to 25ft in the Spring and Summer, and an excellent leaf blowing solution at 310CFM/150MPH in the Autumn and Winter.

#### 3.2 TOMAHAWK® Battery

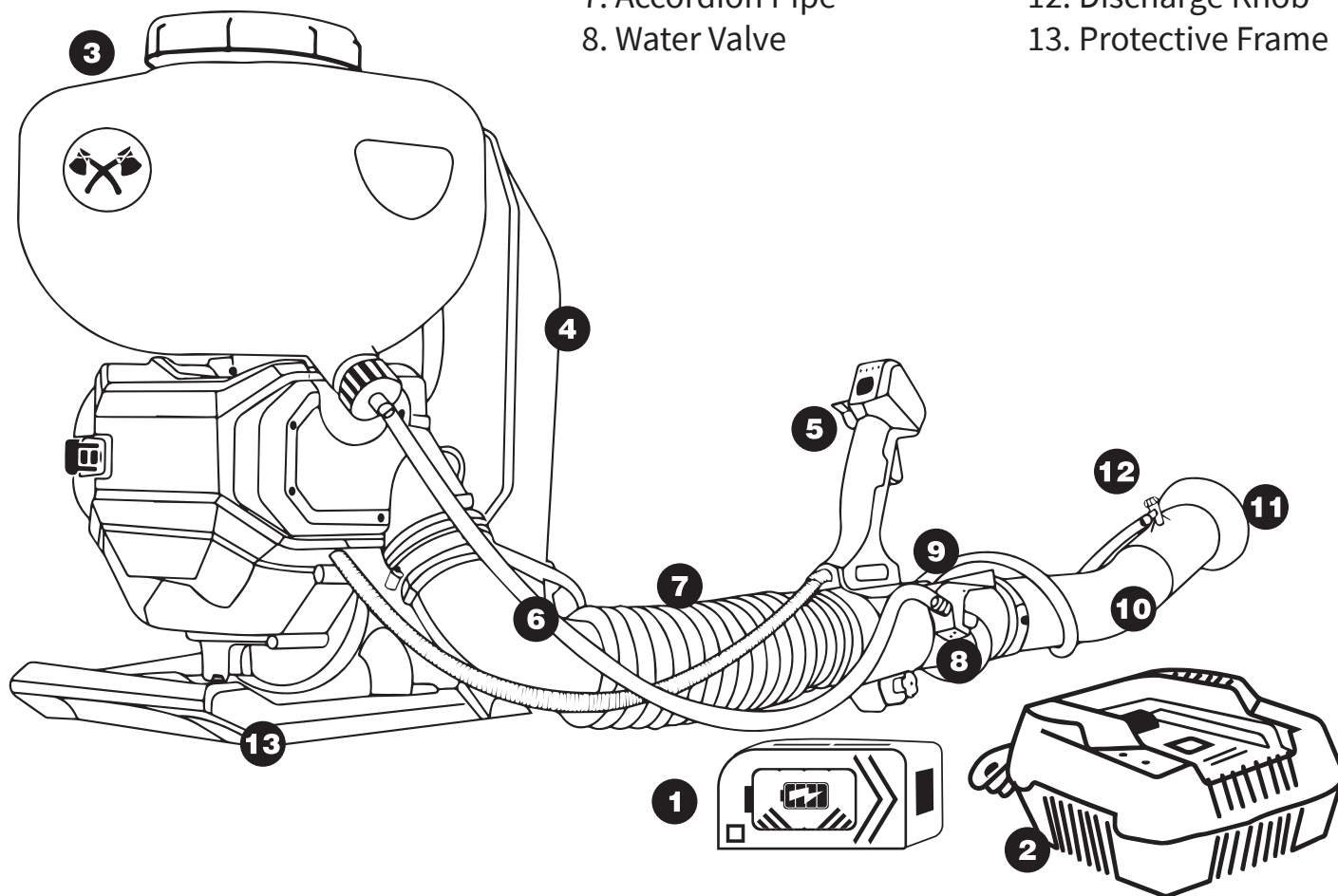
TOMAHAWK® 36V Lithium-Ion 9Ah batteries charge faster and work longer than standard batteries, giving you superior performance. With a faster charge time, spend less time waiting and more time working on the things that matter.

#### 3.3 Specifications

<b>eTMD14 BATTERY POWERED FOGGER</b>	
<b>Tank Size</b>	4 Gallon
<b>Power</b>	0.7 kW, 9 Ah
<b>Voltage</b>	36V
<b>Spray Reach</b>	25 - 30ft
<b>Flow</b>	.25 - .50 GPM
<b>Air Speed</b>	150 MPH
<b>Air Volume</b>	310 CFM
<b>Droplet Size</b>	100-300 Microns
<b>Fan Speed</b>	6500 RPM
<b>Sound @ 5 Yards</b>	76.9 db
<b>Sprayer Weight</b>	18 lbs
<b>Dimensions</b>	15" x 13" x 22"

### 3.4 Backpack Fogger Parts

- |                            |                     |                      |
|----------------------------|---------------------|----------------------|
| 1. 36V Lithium-Ion Battery | 4. Backpack Straps  | 9. Connecting Pipe   |
| 2. Battery Charger         | 5. Throttle Control | 10. Blower Pipe      |
| 3. Chemical Tank           | 6. Feeder Tube      | 11. Fan Nozzle       |
|                            | 7. Accordion Pipe   | 12. Discharge Knob   |
|                            | 8. Water Valve      | 13. Protective Frame |



### 3.5 Unpacking the Unit

Make sure to carefully remove all parts and accessories from the box. Ensure all parts listed in the manual are in the box. Do not throw away the packaging or packing material until you have inspected all parts and successfully operated the machine. Do not discard this operations manual.

If any parts are missing or damaged, please contact TOMAHAWK® customer support by email at [support@tomahawk-power.com](mailto:support@tomahawk-power.com) or call (866) 577-4476.

### 3.6 Spraying Accessories

Visit [www.tomahawk-power.com](http://www.tomahawk-power.com) for a wide assortment of accessories, attachments, and spraying nozzles.



## 4. EQUIPMENT ASSEMBLY

### 4.1 Warnings



**WARNING** To avoid injury or damage to this machine, the blower tube must be used when operating this backpack fogger. **NOTE:** The blower tube is not assembled on this unit.



**WARNING** If any parts are missing or damaged, do not operate this backpack fogger. Failure to do so may result in personal injury or damage to this machine.



**WARNING** Never make modifications or fabricate accessories to be used with this machine. Modifications or alterations may result in personal injury or damage to this machine.



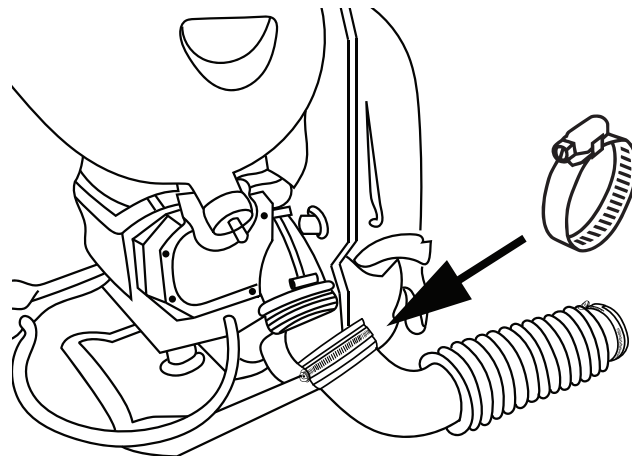
**WARNING** Do not connect the battery before the machine is fully assembled. Failure to comply may cause accidental starting and may result in personal injury or damage to this machine.



**WARNING** To prevent personal injury or damage to this machine, ensure the machine is OFF, the battery is removed, and the impellers have stopped before removing any parts.

### 4.2 Assembly Guide

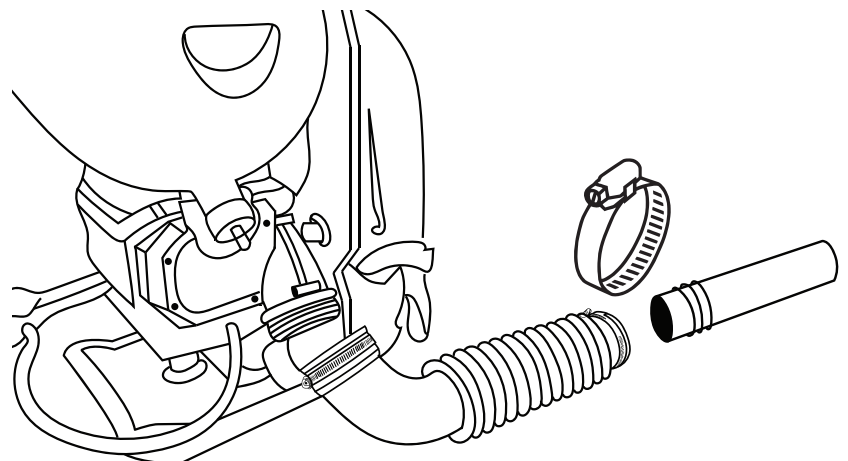
**4.2.1** Connect the accordion tube to the fogger's blower elbow. Fasten in place using a phillips head screwdriver with the hose clamp. **FIGURE 1.**



**FIGURE 1**

**NOTE:** If the elbow is detached, connect the blower elbow to the unit first.

**4.2.2** Attach the connecting tube to the other end of the accordion tube. Fasten in place using a phillips head screwdriver and the hose clamp. **FIGURE 2.**

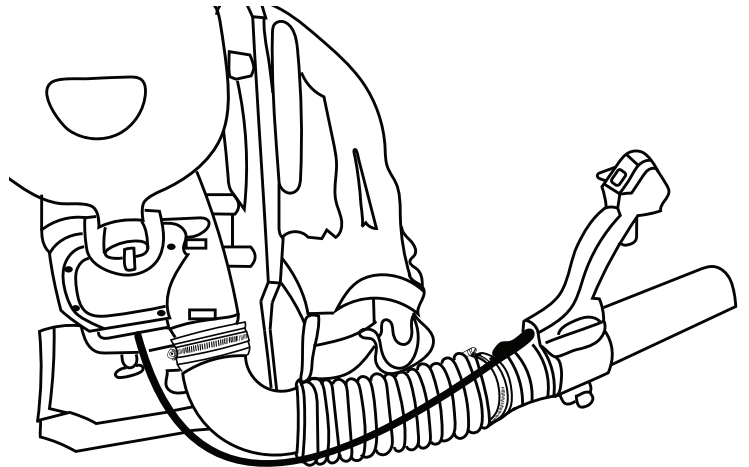


**FIGURE 2**

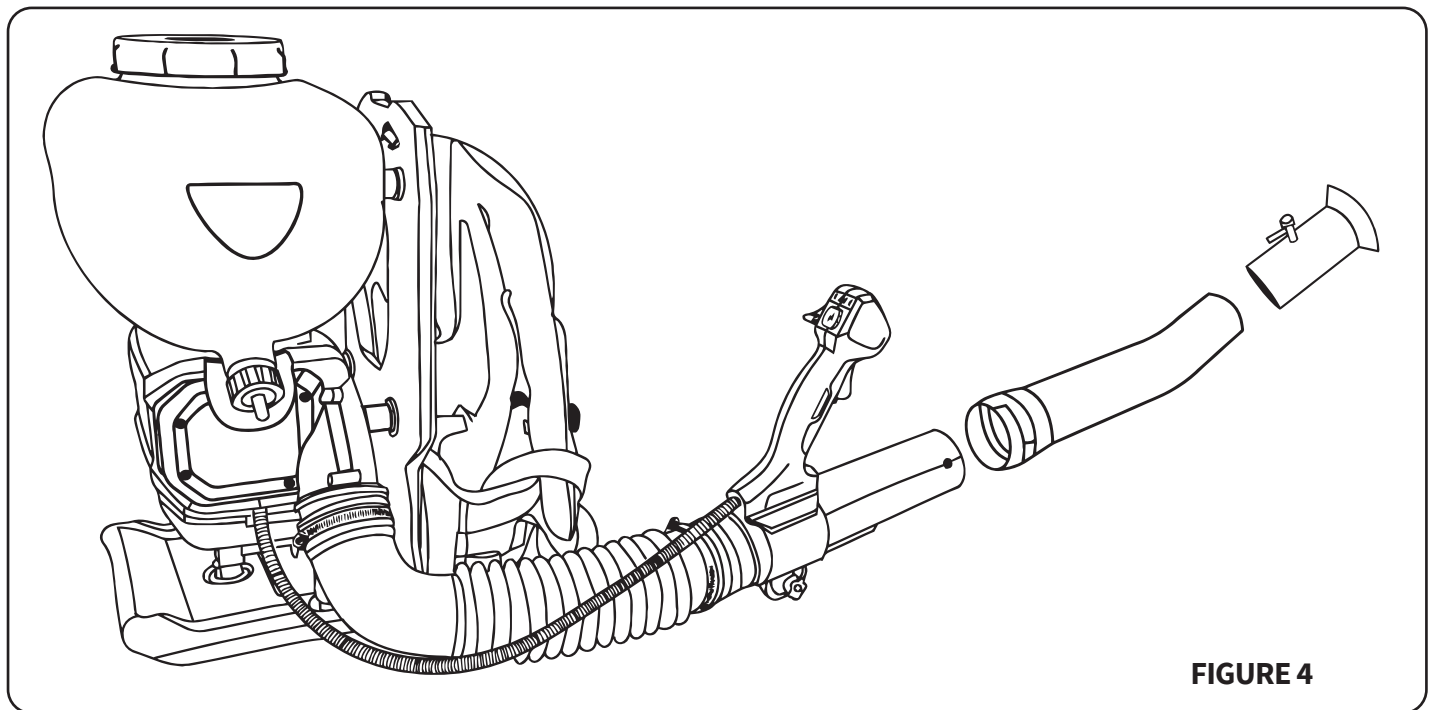
**4.2.3** Slide the throttle control handle over the connecting pipe and secure in place with the screw and a phillips head screwdriver. **FIGURE 3.**

**4.2.4** Connect the blower pipe to the other end of the connecting pipe. Twist to lock in place. **FIGURE 4.**

**4.2.4** Attach the fan nozzle to the other end of the blower pipe. **FIGURE 4.**



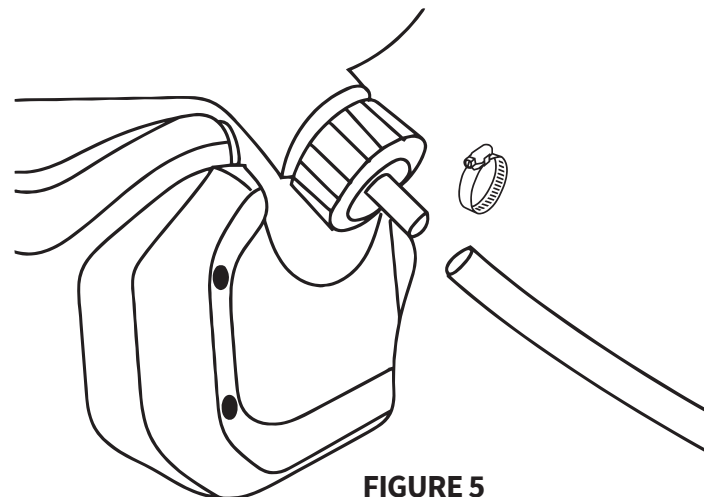
**FIGURE 3**



**FIGURE 4**

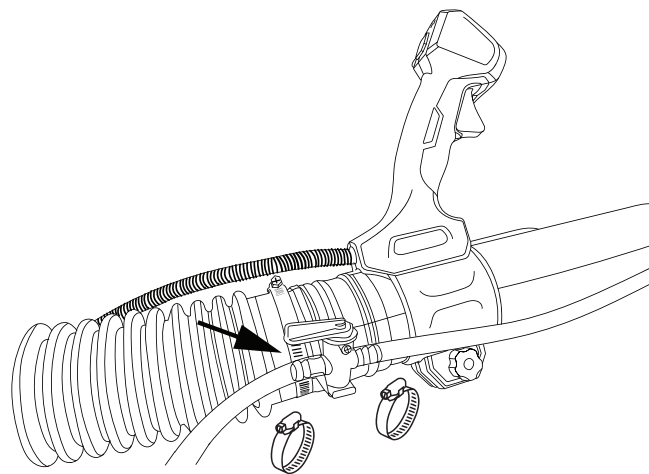
**4.2.5** Attach a clear feeder tube to the base of the chemical tank. **FIGURE 5.**

**NOTE:** To secure in place, use a hose clamp.



**FIGURE 5**

**4.2.6** Slide the metal base of the water valve underneath the hose clamp of the accordion tube. Loosen and tighten the clamp if necessary. **FIGURE 6.**

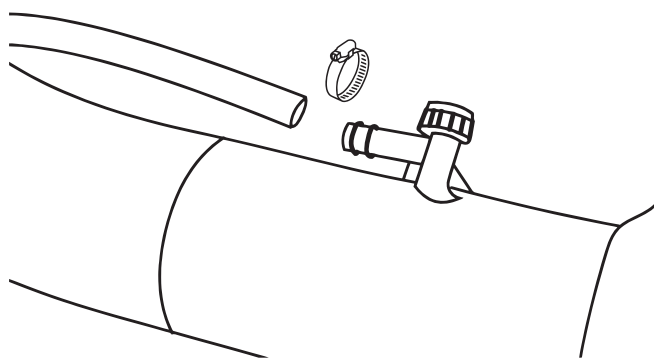


**FIGURE 6**

**4.2.7** Attach the other end of the clear feeder tube to the back of the water valve. Add the second clear feeder tube to the other side of the water valve. **FIGURE 6.**

**NOTE:** To secure in place, use hose clamps at the ends of the clear tubes.

**4.2.8** Attach the other end of the clear feeder tube to the back of the fan nozzle. **FIGURE 7.**

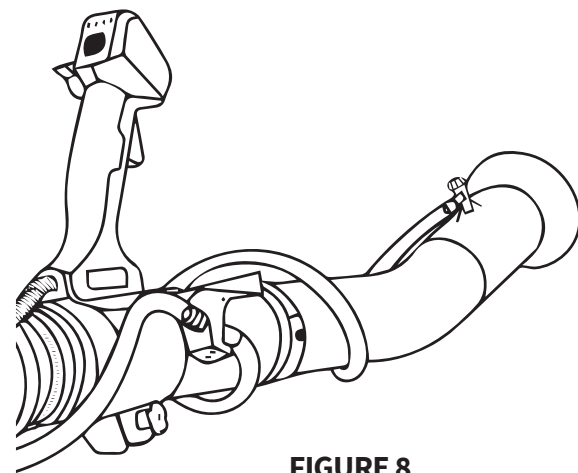


**FIGURE 7**

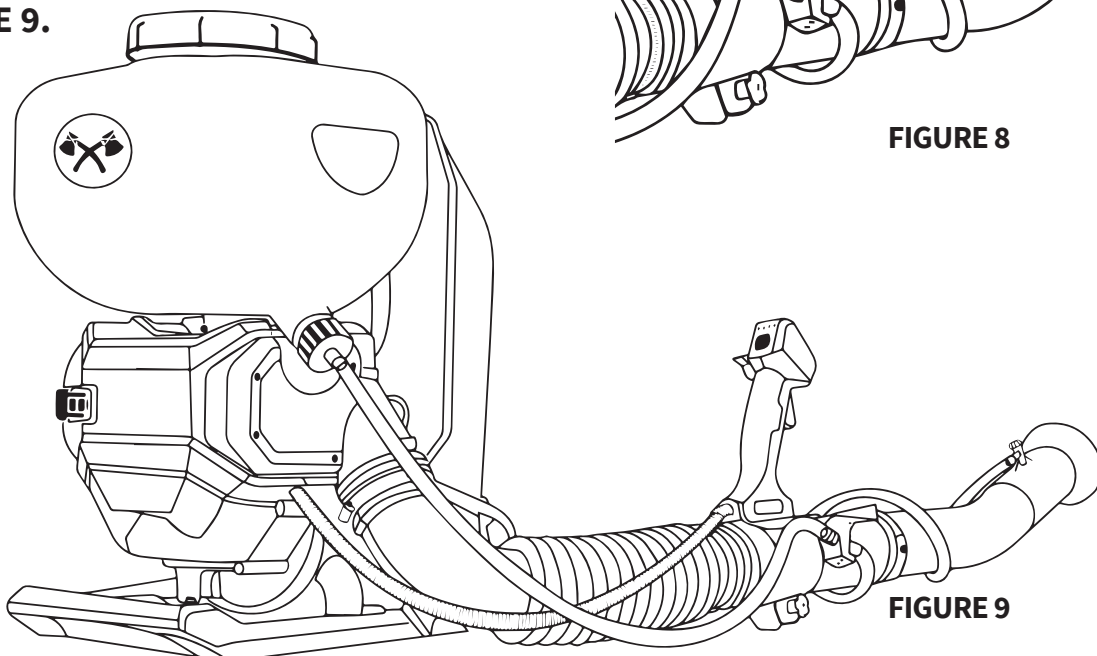
**NOTE:** Wrap the second clear feeder tube around the blower pipe to keep it tight and ensure it does not catch on anything when working outside. **FIGURE 8.**

**NOTE:** To secure in place, use a hose clamps at the ends of the clear tube. **FIGURE 7.**

**4.2.9** The eTMD14 Backpack Mosquito Fogger is fully assembled. **FIGURE 9.**



**FIGURE 8**



**FIGURE 9**

## 5. CHARGING THE BATTERY

### 5.1 Warnings



**WARNING** Do not insert any electrically conductive objects in the charging socket or the battery may be damaged by a short circuit.



**WARNING - DANGER OF FIRE** - A short circuit in the charging socket can lead to a cable fire in the battery.



The charger has a fully electronic voltage and current limitation function. This ensures that a connected battery is always kept at the optimum state of charge. This prevents overcharging of the battery. The battery is not fully charged on delivery. It is recommended to fully charge the battery before operating the machine for the first time.

### 5.2 How to Charge

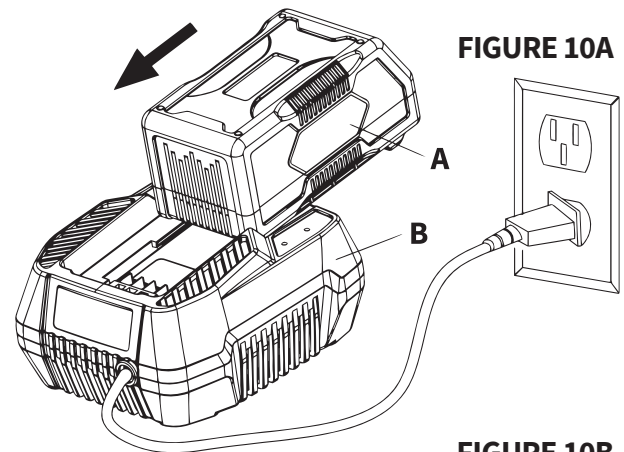
**5.2.1** Remove the battery from the machine.

**5.2.2** Plug the charger into a power outlet in a dry location. **FIGURE 10A.**

**5.2.3** Align the tongue of the battery (**A**) with the guides in the charging dock (**B**).

**5.2.4** Slide the battery into the charger docking station using the guides on the battery and charger docking station.

**FIGURE 10A.**



### 5.3 While Charging

**5.3.1** The LED indicator on the charger lights up RED during charging.

**5.3.2** The charging of the battery takes approximately 2 hours.

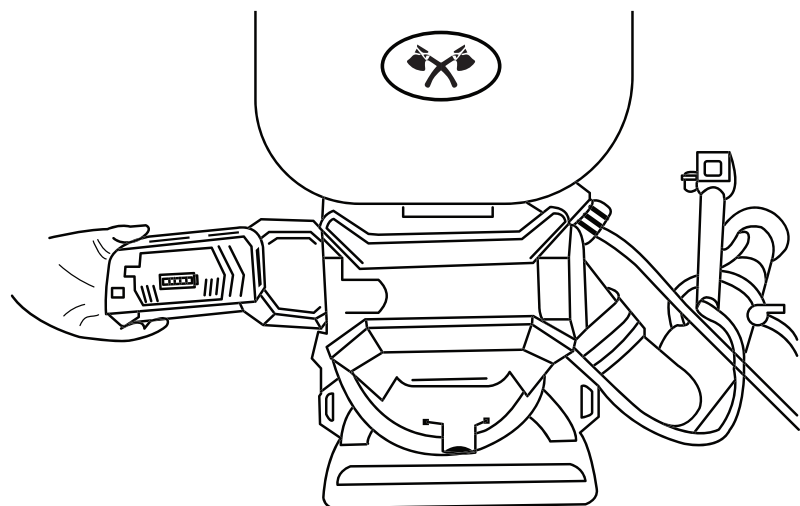
**5.3.3** The LED indicator on the charger lights up green when finished charging.

### 5.4 Installing the Battery

**5.4.1** Open the door of the machine's battery compartment. **FIGURE 10B.**

**5.4.2** Align the tongue of the battery with the guides in the battery compartment.

**5.4.3** Grasp the machine firmly and slide the battery into the compartment until the battery release button locks into place. Close the compartment door.



**NOTE:** Never force the battery pack. It should slide and click into place.

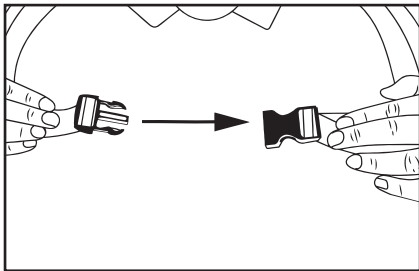
## 6. BACKPACK STRAPS ADJUSTMENT

Make sure your backpack straps and harness are well adjusted for proper operation. Adjust the straps for comfortable machine placement. Adjust the cross-body harness so the machine weight is equally distributed across the operator's shoulders.

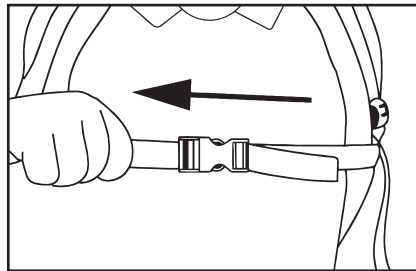


**6.1** Once the machine is comfortable on your back, connect the top horizontal chest buckle **FIGURE 11** and then tighten by pulling on the end of the strap. **FIGURE 12.**

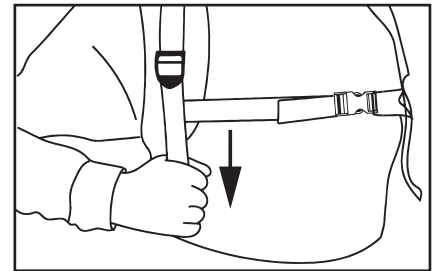
**6.2** Pull the ends of the backpack straps downward to tighten. **FIGURE 13.**



**FIGURE 11**

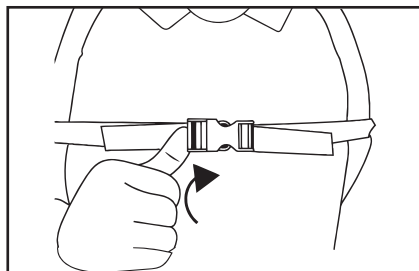


**FIGURE 12**

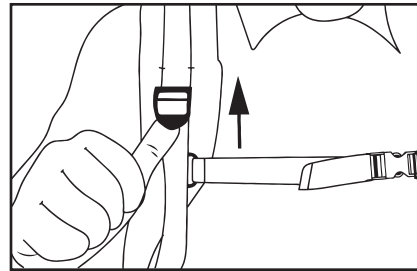


**FIGURE 13**

**6.3** Lift the back tabs of the buckles to loosen the backpack straps. **FIGURE 14. FIGURE 15.**



**FIGURE 14**



**FIGURE 15**



**WARNING** In the event of imminent danger, the machine must be removed quickly. The horizontal chest strap must be released first before setting the machine on the ground.

## 7. OPERATION

### 7.1 Holding the Tool

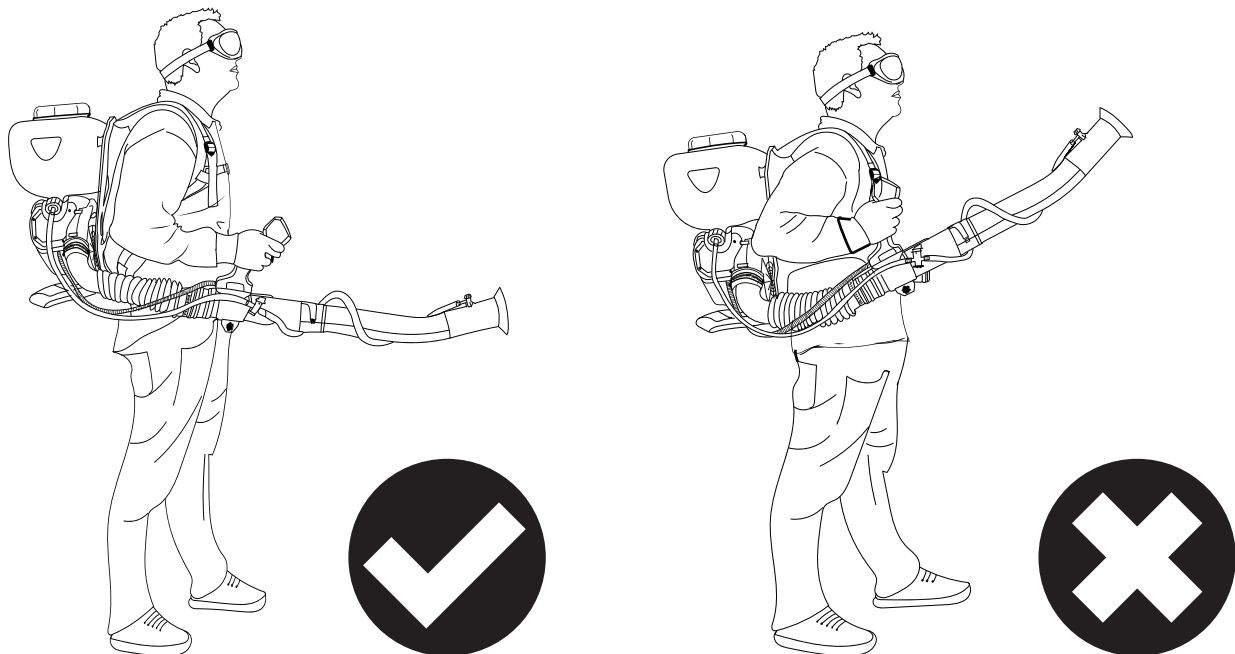
**7.1.1** The operator should always wear the personal protective equipment/clothing (PPE) when handling this tool. PPE includes mask/respirator, safety goggles, ear protection, boots, gloves, and a long-sleeved shirt and long pants to cover as much exposed skin as possible.

**7.1.2** Lifting the unit with a full tank may be difficult. Always put on the unit by placing it on a level wall or the back of a truck and then putting on the straps.

**7.1.3** This tool is design to be operated with one hand.

**7.1.4** This tool operates with a gravity fed tank. The nozzle should always be angled downward or parallel with the ground. **FIGURE 16.**

**NOTE:** Pointing the nozzle up will disrupt the gravity feed, causing issues with the droplet spray pattern and proper machine operation.



**FIGURE 16**

### 7.2 Starting and Stopping the Machine

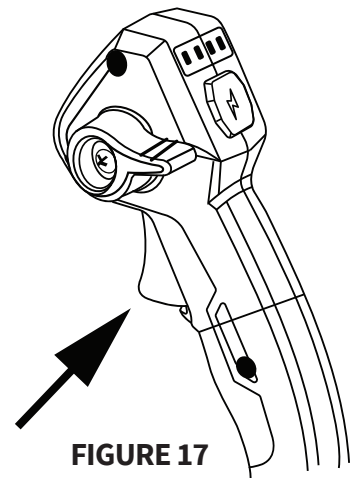
**7.2.1** Before starting the machine, ensure that the machine is in perfect condition to ensure safe operation.

**7.2.2** Install the battery into the machine's battery compartment.

**7.2.3** To start, squeeze the red trigger on the throttle control lever.

**7.2.4** Squeeze the trigger more or less to change the blowing speed.

**7.2.5** Release the trigger to stop the machine.



**FIGURE 17**

### 7.3 Cruise Control Setting

This tool's throttle control handle includes a cruise control function to set and lock your ideal blowing speed.

**7.3.1** Start the machine's blowing by squeezing the red trigger (**A**) on the throttle control handle.

**7.3.2** Once you have found your ideal blowing speed, pull the red lever (**B**) back clockwise to lock the speed at the desired setting.

**7.3.2** To increase or decrease the blowing speed, push the red lever (**B**) counter-clockwise to disengage the Cruise Control Setting, then squeeze the red trigger (**A**) to find your new desired blow setting. Pull the red lever (**B**) back clockwise again to lock in place.

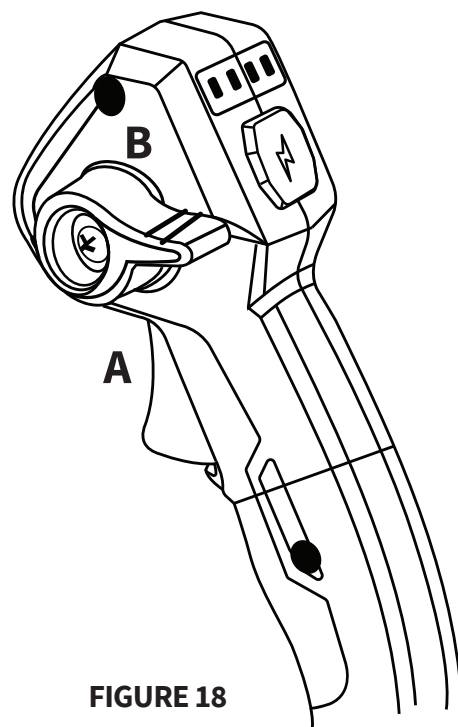


FIGURE 18

**NOTE:** Always disengage the Cruise Control Setting before removing the battery from your machine. Failure to comply will cause the machine to start immediately when reinstalling the battery, which may result in personal injury or damage to this machine.

### 7.4 Filling the Tank

**7.4.1** Make sure the rubber gasket within the lid is clean and in good condition.

**7.4.2** Place the machine on an even, level surface.

**7.4.3** Close the water valve at the base of the throttle control.

**7.4.4** Remove the lid and pour evenly mixed chemical solutions in the tank through the strainer. **DO NOT** exceed the maximum fluid level of 14 liters (3.7 gallons).

**7.4.5** Replace the lid and tighten it firmly.



**WARNING** Always follow the chemical manufacturer's instructions, safety guidelines, and recommendations when using any chemicals/solutions with this machine.

## 7.5 Mist Blowing Tips

**7.5.1** During your first use of this machine, before using any chemicals, perform a trial run with the tank filled with clean water only. During the trial run, understand the machine's fluid flow rate and working width. The recommended working width for low-growing foliage is between 10-15ft.

**7.5.2** Make sure that the nozzle is not directed at anybody or any loose debris before starting the machine.

**7.5.3** Hold the throttle control handle firmly. Sweep the nozzle from side to side, while keeping the nozzle several inches above/around the ground or any foliage.

**7.5.4** Ensure that the machine is in perfect condition to ensure safe operation. Make sure all pipes, tubes, and other parts are in place and secure.

**7.5.5** Keep clear of open windows, children, pets, and blow leaves and debris safely away.

**7.5.6** Close the water valve after every use of the machine to prevent leakage.



**WARNING** Always spray solutions downwind and be mindful of your surroundings. Failure to do so may result in death or serious injury to yourself or others.

## 7.6 Adjusting the Discharge Rate

**7.6.1** Rotate the discharge knob on top of the fan nozzle to adjust the fluid discharge rate.

**7.6.2** The numbers on the discharge knob must be aligned with the marker pointing toward the clear feeder tube attached to the fan nozzle.

**Position 1 = Minimum Flow Rate**  
**Position 4 = Maximum Flow Rate**

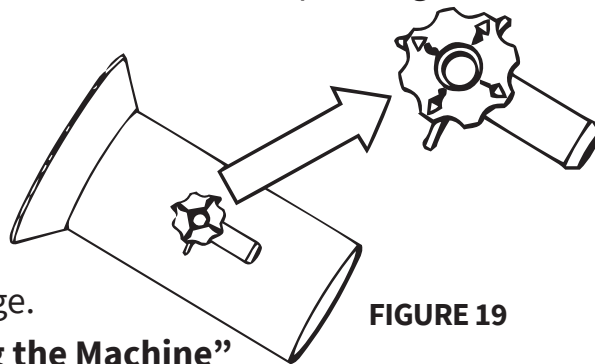


FIGURE 19

**7.7.1** Close the water valve completely to prevent leakage.

**7.7.2** Shut off the machine. See “**Starting and Stopping the Machine**”

**7.7.3** Turn the fan nozzle's discharge rate to **Position 1** and collect any remaining chemical/solution in a proper container.

**7.7.3** Drain the tank in a well ventilated area. Clean and rinse the tank, tubes, and pipes with clean water.

**7.7.3** Safely dispose of any remaining chemical/spray solution by following the the chemical manufacturer's instructions, safety guidelines, recommendations, and local environmental requirements.



## **7.7 When Spraying is Complete Continued**

**7.7.3** With the lid removed, allow the machine to dry completely.

**7.7.3** If the strainer is dirty, pull it upward and out of the tank and clean completely.

**7.7.3** Place the machine in a dry area - out of reach of children, pets, and unauthorized persons.

## **7.7 Leaf Blowing Tips**

**7.7.1** Use brooms and/or rakes to loosen leaves and debris before blowing.

**7.7.2** Hold the throttle control handle firmly. Sweep the blower nozzle from side to side, while keeping the nozzle several inches above/around the ground or any foliage.

**7.7.3** Walk slowing, while keeping the collected pile of leaves and debris in front of you.

**7.7.4** Low speeds are recommended for blowing dry leaves and debris.

**7.7.5** Operate a high speed for moving large debris or gravel.

**7.7.6** Make sure that the nozzle is not directed at anybody or any loose debris before starting the machine.

**7.7.7** Ensure that the machine is in perfect condition to ensure safe operation. Make sure all pipes, tubes, and other parts are in place and secure.

**7.7.8** Keep clear of open windows, children, pets, and blow leaves and debris safely away.

## **8. STORAGE**

**8.1** For periods of non-use longer than 2 months this machine must be prepared for proper storage.

**8.2** Drain and clean the tank in a well ventilated area. Ensure the tank, tubes, pipes are empty and flushed out with clean water to prevent chemical corrosion.

**8.3** Wipe down the machine and make sure all parts including the strainer are clean.

**8.4** Remove the battery pack and store it in a safe dry place, out of reach of children, pets, unauthorized persons, and away from any sunlight. If you do not plan to use the charger for any other TOMAHAWK® equipment, place it with the battery pack as well.

**8.5** Place the machine in a dry area on an even, level surface - away from any sunlight. Secure the machine to prevent it from tipping over or being damaged.

## 9. REPLACEMENT PARTS

**9.1** For replacement parts and technical questions visit [www.tomahawk-power.com](http://www.tomahawk-power.com) or scan the QR code on the front of this manual.

**9.2** Not all equipment components are available for replacement. The illustrations within this manual are a convenient reference to the location and position of parts in the assembly sequence.

**9.3** When ordering parts, the following may be required: equipment model number, serial number/lot, date code, and description. The manufacturer reserves the right to make design changes and/or improvements to equipment, parts, accessories, and manuals without notice.

## 10. TROUBLESHOOTING

PROBLEM	POSSIBLE CAUSES	SOLUTION
<b>Unit will not start</b>	Battery is not charged	Charge battery
	Battery is not securely attached	Install battery correctly
	Issue with power switch	Ensure power switch is positioned correctly and not defective
<b>Unit will not spray or pressure is low</b>	Clogged nozzle	Remove nozzle and clean
	Battery is low on charge	Charge battery
	Trapped air in water valve	Open escape valve and release liquids
<b>Unit is not charging</b>	Battery is low on charge	Charge battery
	Tubing is blocked	Clean tubing
<b>Battery is not charging</b>	Charger is not functioning	Ensure wires are connected properly. Check that LED is displaying green light
	Battery is damaged	Replace battery
<b>Unit is leaking</b>	Tank is leaking	Replace tank
	Leak between tank and lid	Secure lid. If issue persists, replace lid/tank
	Tubes are leaking	Secure tubes. If issue persists, replace tubing

## **11. EQUIPMENT WARRANTY**

Your new TOMAHAWK® equipment is warranted to the original purchaser for a period of one-year (12 months) from the original date of purchase. The TOMAHAWK® warranty is against defects in design, materials and workmanship.

The following are not covered under the warranty:

**11.1** Damage caused by abuse, misuse, dropping or other similar damage caused by or as a result of failure to follow assembly, operation or user maintenance instructions.

**11.2** Alterations, additions or repairs carried out by persons other than TOMAHAWK® or their recognised agents.

**11.3** Transportation or shipment costs to and from TOMAHAWK® or their recognised agents, for repair or assessment against a warranty claim, on any machine.

**11.4** Materials and/or labor costs to renew, repair or replace components due to fair wear and tear.

**11.5** TOMAHAWK® and/or their recognised agents, directors, employees or insurers will not be held liable for consequential or other damages, losses or expenses in connection with or by reason of or the inability to use the machine for any purpose.

### **Warranty Claims**

Before submitting any warranty claim, you will need to register your new TOMAHAWK® equipment through [www.tomahawk-power.com](http://www.tomahawk-power.com).

Follow the steps on page 3 or scan this QR codes to complete the equipment registration. After registration is complete, all warranty claims should firstly be directed to TOMAHAWK® through the online Service Request form found at [www.tomahawk-power.com/pages/service-request](http://www.tomahawk-power.com/pages/service-request).





# POWER YOUR WORLD

Powered by a superior 7Ah lithium battery with up to **11 hours of life**, spray 6000 ft<sup>2</sup> in 10 minutes or less! Offering **adjustable pressure** from 20 to 70 PSI, Tomahawk Battery Sprayers are perfect for spraying residential and commercial areas!



Item #: eTPS18  
**4.75 GALLON BATTERY  
BACKPACK SPRAYER**

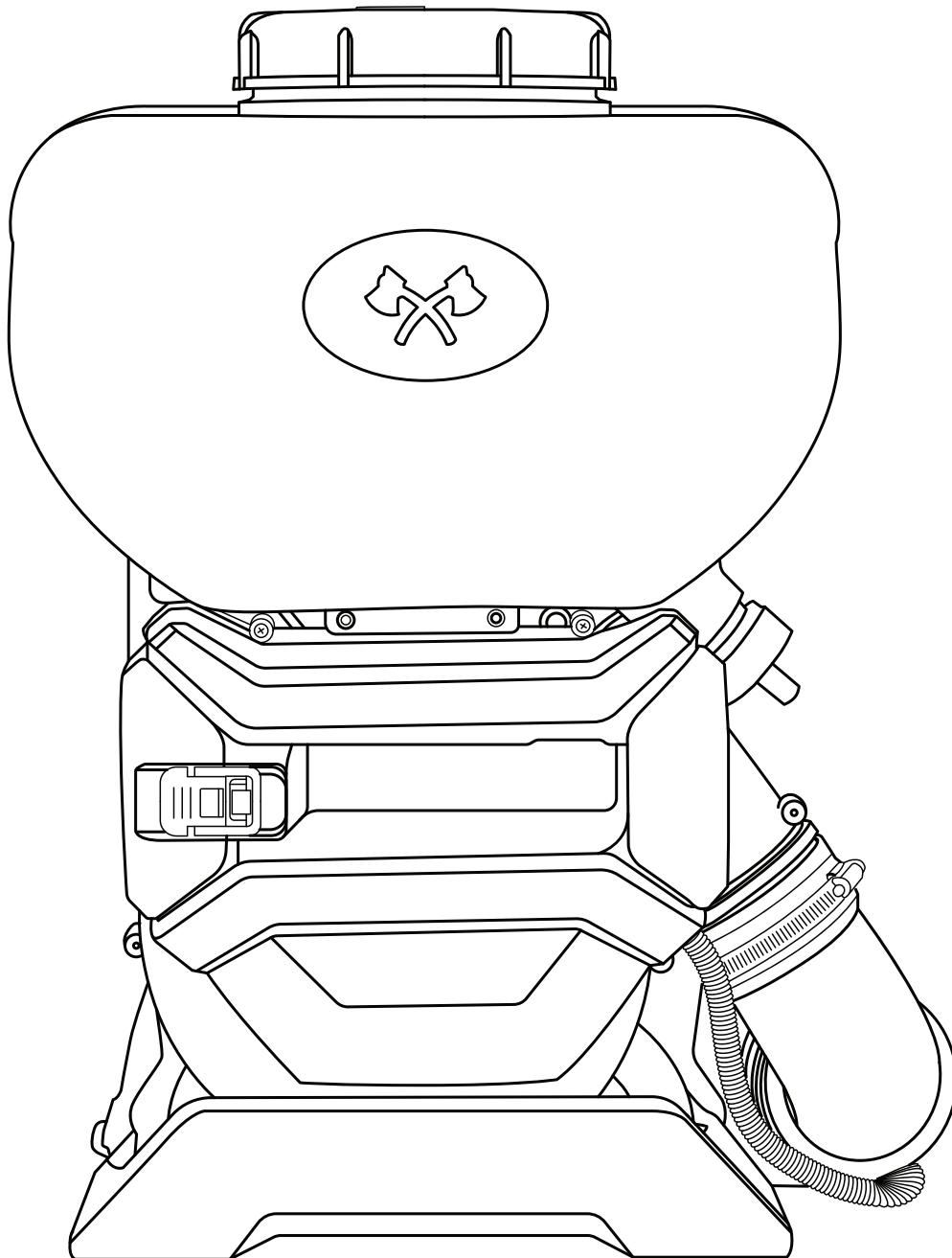


[www.tomahawk-power.com](http://www.tomahawk-power.com) 

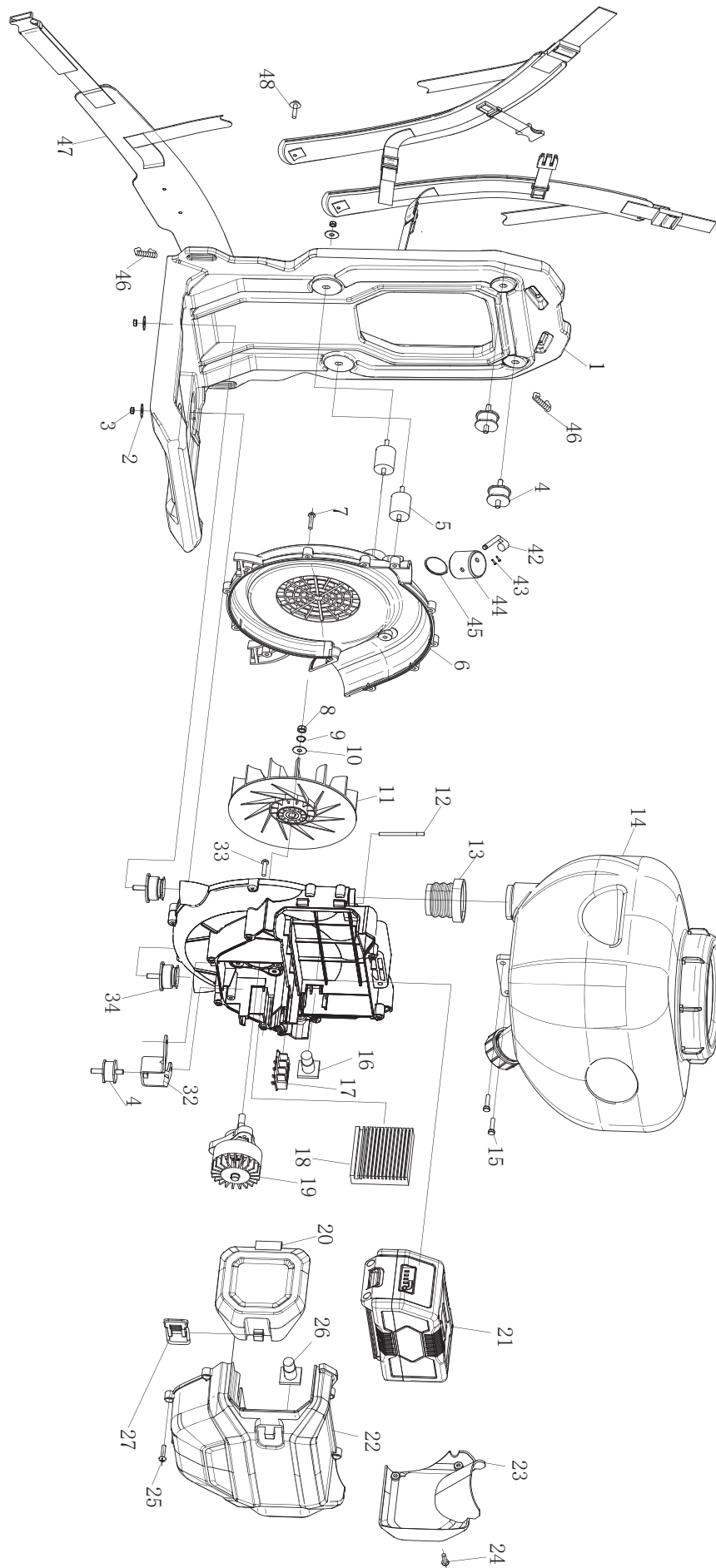
# TOMAHAWK

eTMD14  
BATTERY POWERED FOGGER

Parts Manual

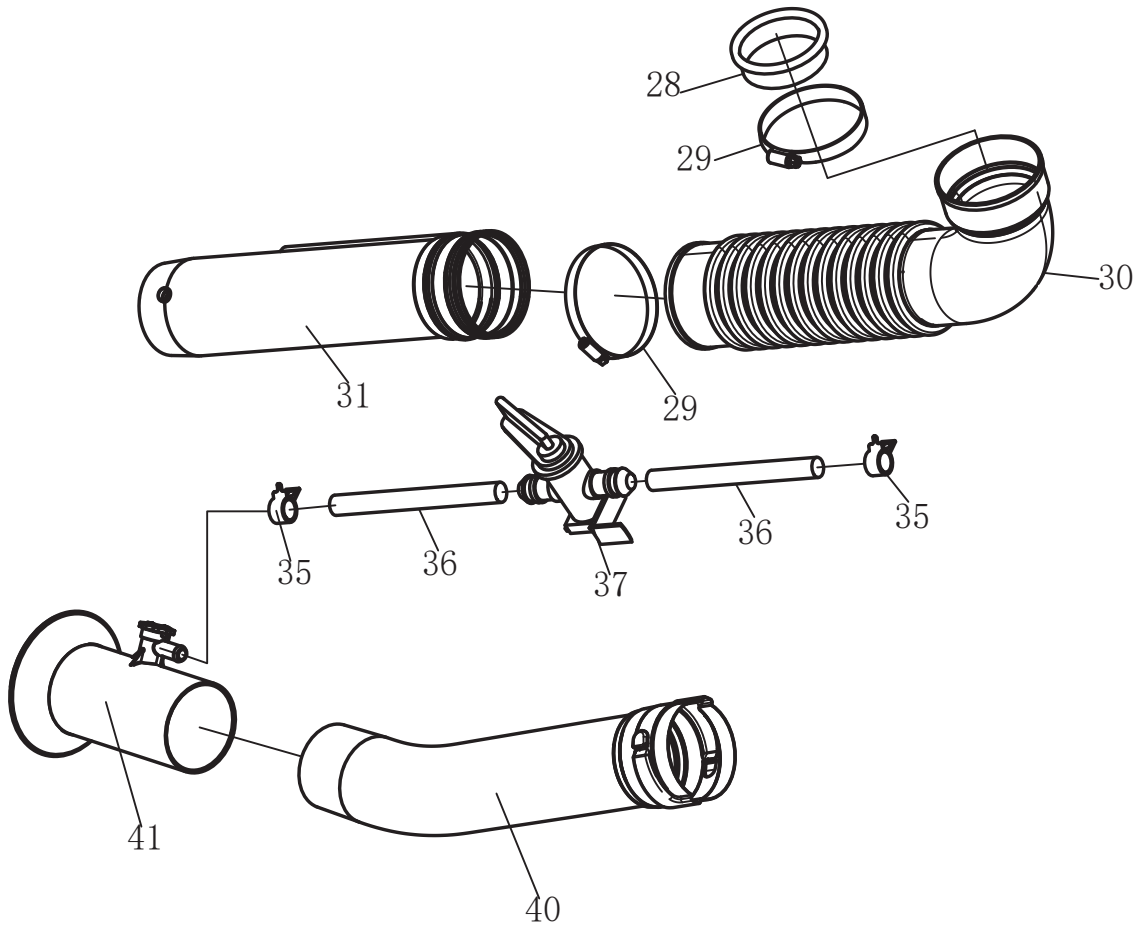
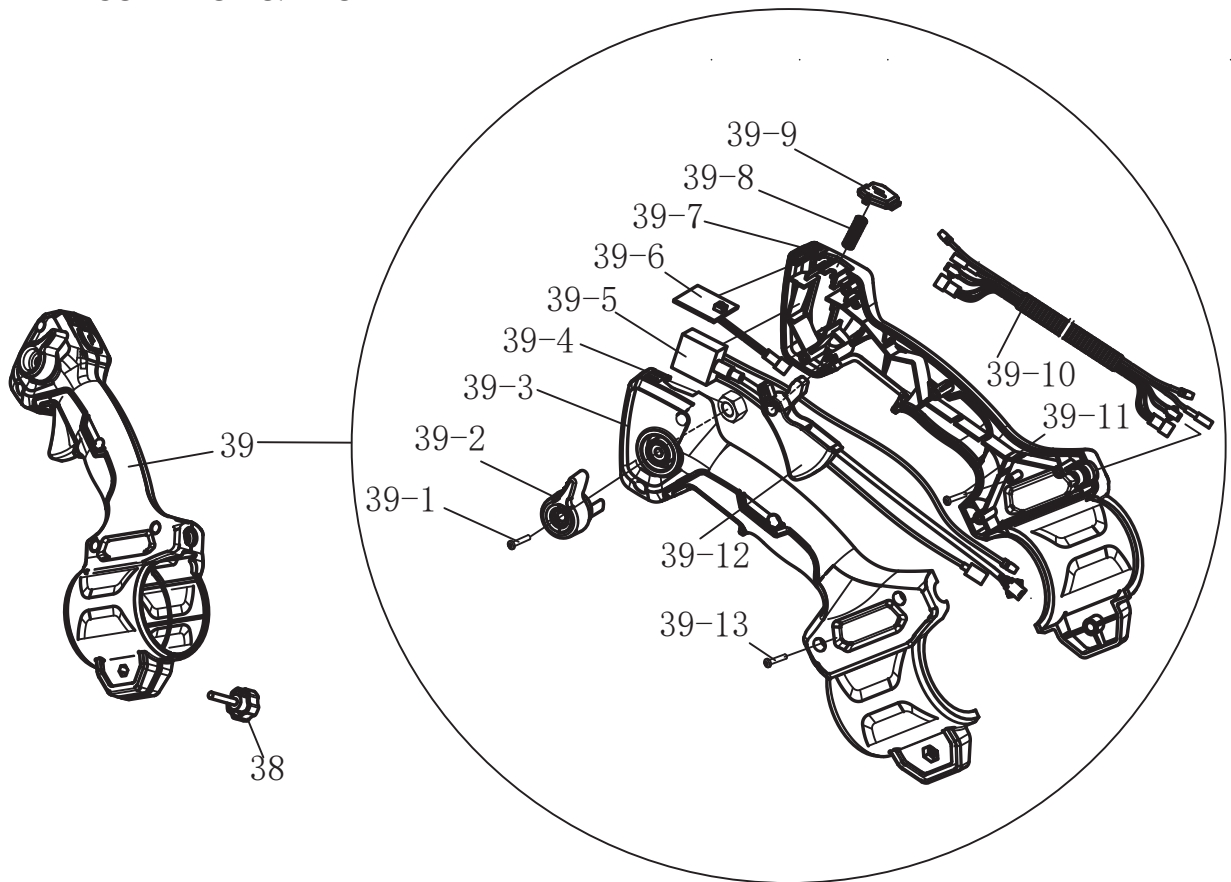


# FRAME & POWER UNIT



FRAME & POWER UNIT			
#	Part Number	Part Name	Qty.
1	3WBD-8-4	Frame	1
2	GB/T 96.1	Washer 6	7
3	GB/T 6177.1	M6 Nut	7
4	3W-950.5	Rubber Pillar	3
5	3F-30.12	Rubber Pillar	2
6	3W-15A.2-1	Volute Case	1
7	GB/T845 ST4.8×19	St4.8×19 'Screw	12
8	GB/T889.1	M8 Nut	1
9	GB/T93	Washer 8	1
10	GB/T96.1	Washer 8	1
11	3WBD-8.1.3	Impeller	1
12	3WBD-8.1.1-1	Door Axle	1
13	ZB4-01	Guide Pipe	1
14	3W-15A.1	Chemical Tank	1
15	GB/T9074.13	Screw Assem M6X30	2
16	ZB200-D80.5-3	Retainer Plate	2
17	3WBD-8.2.2	Cell Connector	1
18	3WBD-8.2.5	Controller	1
19	3WBD-8.5	Motor Assembly	1
20	3WBD-8-2	Battery Door	1
21	ZB-200-D.2	Battery	1
22	3WBD-8-1	Front Cover	1
23	3WBD-8-3	Right Cover	1
24	3GC36D.2-4	Screw	4
25	XSS46-2.2-5	Screw	8
26	ZB200-D80.5-4	Battery Ejection Spring	2
27	3WBD-8.3	Hasp Assembly	1

# THROTTLE CONTROL & BLOWER ARM





THROTTLE CONTROL & BLOWER ARM			
#	Part Number	Part Name	Qty.
28	3F-30.18-4	Rubber Sleeve	1
29	JB8870 (φ70-φ90)	Hoop	2
30	3WF-8.11-1	Tube	1
31	EB-650.7.1	Blowpipe	1
32	3WF-2.6B.4	Support	1
33	GB/T70.1+GB/T93+GB/T848	Screw Assem M5×16-10.9	3
34	3W-950.4	Rubber Pillar	2
35	3WF-3.19-1	Clip	4
36	LS-10×1.5×800	Tube	2
37	3WF-3.19.1	Cock Assem	1
38	EB-650.5.3	Lock Screw	1
39	3WBD-8.2	Handle	1
39_1	GB9074.4 5×20	Screw Assem M5×20	1
39_2	3WBD-8.2-2	Self-Locking Handle	1
39_3	3WBD-8.2-5	Left 'Handle	1
39_4	GB889 M5	Nut M5	1
39_5	3WBD-8.2.4	Speed Switch	1
39_6	3WBD-8.2.1	Microswitch	1
39_7	3WBD-8.2-4	Right 'Handle	1
39_8	BL750.3-7	Locking Spring	1
39_9	3WBD-8.2-3	Button	1
39_10	3WBD-8.2.3	Wire Harness	1
39_11	PWA M3×10 帽 12mm	Screw M3×10	2
39_12	3WBD-8.2-1	Knob Switch	1
39_13	3GC36D.2-4	Screw	5
40	3W-16.8-2A	Tube	1
41	3WF-2.6.4.3	Nozzle Assembly	1
42	3W-950.2-2	Damper Shaft	1
43	GB/T845	St2.2*13 'Screw	2
44	3W-950.2-1	Tube	1
45	3WF-2.6.4.3	Damper Plate	1
46	150BT-M2-4	Hanging Scroll	4
47	3WBD-8.4	Bands Assm	1
48	GB/T823+GB/T96.1	Screw Assem M6×12	4

# TOMAHAWK

## PRODUCT CATALOG

### COMPACTION



HONDA  
ENGINES

**3,550 lbs/ft Vibratory Rammer**  
Part#: TR68H

3.6 HP Honda GXR120 Engine  
Easily achieve a 100% compaction rating  
3-in-One Fuel System with carburetor protection  
13" x 11" plate for narrow trenches and corners  
3 Year Engine Warranty & 1 Year Product Warranty



HONDA  
ENGINES

**3,400 lbs/ft Plate Compactor**  
Part#: TPC90H

5.5 HP Honda GX160 Engine  
Easily achieve a 100% compaction rating  
22" x 20" cold, rolled steel beveled base plate  
Includes 3.5 gallon water tank for asphalt compaction  
3 Year Engine Warranty & 1 Year Product Warranty



HONDA  
ENGINES

KOHLER  
ENGINES

**3,000 lbs/ft Plate Compactor**  
Part#: TPC80 & TPC80H

6 HP Kohler CH260 & 5.5 HP Honda GX160 Engines  
Easily achieve a 100% compaction rating  
16.5" x 21.5" plate for narrow trenches and corners  
Optional Honda Engine model: TPC80H  
3 Year Engine Warranty & 1 Year Product Warranty

### FINISHING



**6.5 Gal Backpack Concrete Sprayer**  
Part#: TCS6.5

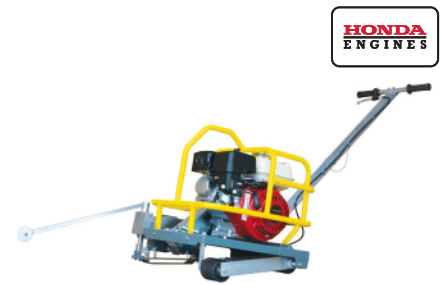
Maintain constant, adjustable pressure up to 450 PSI  
Achieve superior concrete finishes with even spraying  
Spray 15,000 sq ft in less than 10 minutes  
Compatible with major manufacturer wands  
1 Year Product Warranty



HONDA  
ENGINES

**1.6 HP Vibratory Concrete Screed**  
Part#: TVSA-H

1.6 HP Honda GX35 Engine  
Aluminum Magnesium blades available from 8ft - 14ft  
Finish concrete 4X faster than other screed methods  
360° adjustable handle placement  
3 Year Engine Warranty & 1 Year Product Warranty



HONDA  
ENGINES

**6" Early Entry Green Concrete Saw**  
Part#: TFS6H

5.5 HP Honda GX160 Engine  
Maximum cutting depth of 1 3/16 inches  
OSHA compliant vacuum port for dust collection  
Includes 6" early entry concrete blade  
3 Year Engine Warranty & 1 Year Product Warranty

### FINISHING



HONDA  
ENGINES

**1.6HP Backpack Concrete Vibrator**  
Part#: TVIBH + TVW10-P

1.6 HP Honda GX35 engine  
Consolidation with speeds of 10,000-12,000 VPM  
Quick Connect centrifugal clutch vibrator  
1" and 2" Diameter Whips Available in 10ft Length  
3 Year Engine Warranty & 1 Year Product Warranty



HONDA  
ENGINES

KOHLER  
ENGINES

**36" & 46" Concrete Power Trowel**  
Part#: TPT36H/K & TPT46H/K

6 HP/14HP Kohler & 5.5HP/8.5HP Honda Engines  
Adjust trowel blade pitch from 0-28°  
60-115 RPM rotor speed for superior concrete finishes  
Includes float pan and trowel blades  
3 Year Engine Warranty & 1 Year Product Warranty



HONDA  
ENGINES

**8" Gas Powered Concrete Scarifier**  
Part#: TSCAR8H

5.5 HP Honda GX160 Engine  
Remove traffic lines at 800 - 1,000 linear ft/hr  
Tungsten Carbide Blade Kit Available  
OSHA approved dust port for silica vacuum removal  
3 Year Engine Warranty & 1 Year Product Warranty

HAVE QUESTIONS?

Contact us. *We're here to help!*

Email us at [sales@tomahawk-power.com](mailto:sales@tomahawk-power.com)

**10% OFF**

USE CODE

**SAVE10**

AT CHECKOUT FOR

**10% OFF YOUR ORDER AT**

**WWW.TOMAHAWK-POWER.COM**

**POWER / WELDING**

INVERTER SERIES



**2000 Watt Inverter Generator**  
Part#: TG2000i

2000 Max Watts, 1600 Rated Watts  
Run Time of 8 hours on 1 gallon of gas  
OSHA and GFCI Compliant  
Parallel technology capable for double the power  
2 Year Product Warranty

INVERTER SERIES



**210 Amp Portable Welder Generator**  
Part#: TWG135Ai

Steady 50 - 135 Amp DC welding output  
3300 Watt Inverter Generator  
60% Duty Cycle for extended use  
Suitable for welding rods from 6010 to 7024  
2 Year Product Warranty



**210 Amp Portable Welder Generator**  
Part#: TWG210A

Steady 50 - 210 Amp DC welding output  
2000 Watt Inverter Generator  
60% Duty Cycle for extended use  
Suitable for welding rods from 6010 to 7024  
2 Year Product Warranty

**PEST CONTROL**



**3.7 Gallon 3HP Backpack Fogger**  
Part#: TMD14

Turbo Boosted Pump with 40ft + Horizontal Reach  
Sprays 1 acre in 30 minutes  
10X Faster than Manual Pump Sprayers  
Converts to Leaf Blower with 200 MPH Air Velocity  
1 Year Product Warranty



**4.75 Gallon Battery Power Sprayer**  
Part#: eTPS18

Reach Up to 30ft Horizontal Reach  
Sprays 6000 sq ft in 10 minutes  
10X Faster than Manual Pump Sprayers  
70 PSI Commercial Grade Pump  
1 Year Product Warranty



**5 Gallon Backpack Power Sprayer**  
Part#: TPS25

Reach Up to 30ft Horizontal Reach  
Sprays acres in 10 minutes  
10X Faster than Manual Pump Sprayers  
50-435 Adjustable PSI Commercial Grade Pump  
1 Year Product Warranty

**AND MORE**



**4 Gal. Backpack Fertilizer Spreader**  
Part#: TGS30

Reach up to 30ft Horizontally  
Sprays 1 acre in 30 minutes  
20X Faster than push spreaders  
Converts to Leaf Blower with 200 MPH Air Velocity  
1 Year Product Warranty



**3" Full Trash Water Pump**  
Part#: TW3H

Moves liquids at a rate up to 375 gal/min  
Handle solids up to 1.5"  
Silicone carbide seals and a chrome plated volute  
8 HP engine protected by rugged all purpose frame  
3 Year Engine Warranty & 1 Year Product Warranty



**Commercial 38" Push Sweeper**  
Part#: TOS38

Collect up to 14.5 gallons of dust and debris  
Can be used indoors & outdoors on wet or dry surfaces  
Includes integrated airflow control and fine dust filter  
Lightweight design, capable of fitting through doorways  
1 Year Product Warranty

ASSEMBLED IN THE  
**USA**  
PARTS SOURCED GLOBALLY

\* All coupons in this manual are valid only for orders placed on [www.tomahawk-power.com](http://www.tomahawk-power.com), unless otherwise noted. Coupon codes may only be used once per customer and may not be combined with any other offer. Coupons may expire at any time without notice.

(866) 577-4476

[www.tomahawk-power.com](http://www.tomahawk-power.com)



## Power Your World

Tomahawk understands to keep a job-site running smoothly the proper equipment and spare parts are needed at the drop of a hat. With same day shipping and faster delivery times, count on Tomahawk to keep you powered throughout the day! With long lasting parts and engines, Tomahawk equipment will be the star of your fleet for years to come. Visit [www.tomahawk-power.com](http://www.tomahawk-power.com) to get started today!

Tomahawk Power, LLC  
San Diego, CA

**Sales Support**  
(866) 577-4476  
[sales@tomahawk-power.com](mailto:sales@tomahawk-power.com)

**Equipment Support**  
(866) 577-4476  
[support@tomahawk-power.com](mailto:support@tomahawk-power.com)

[www.tomahawk-power.com](http://www.tomahawk-power.com)



**FACEBOOK**  
[facebook.com/TomahawkPowerUSA](https://facebook.com/TomahawkPowerUSA)

**YOUTUBE**  
[youtube.com/TomahawkPower](https://youtube.com/TomahawkPower)

**INSTAGRAM**  
[@tomahawkpower](https://instagram.com/tomahawkpower)