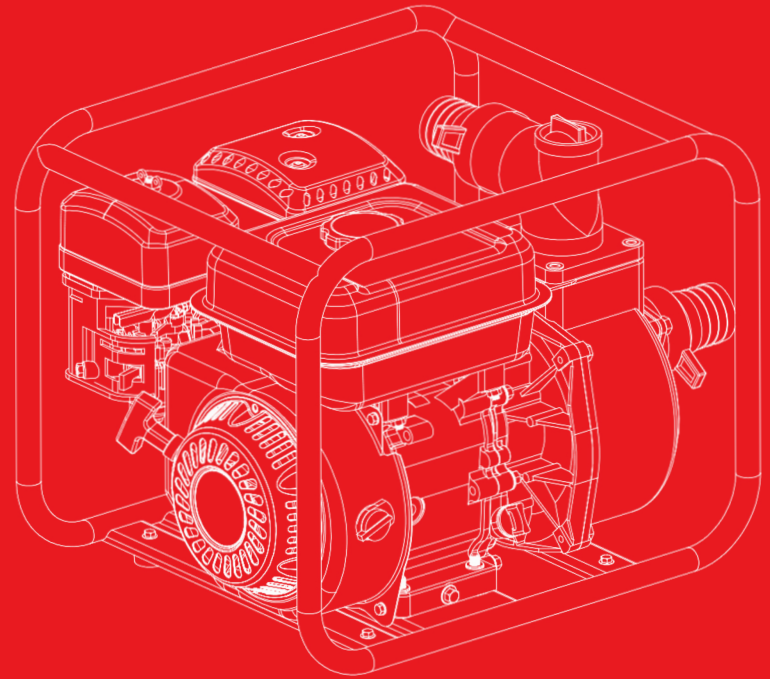


TOMAHAWK

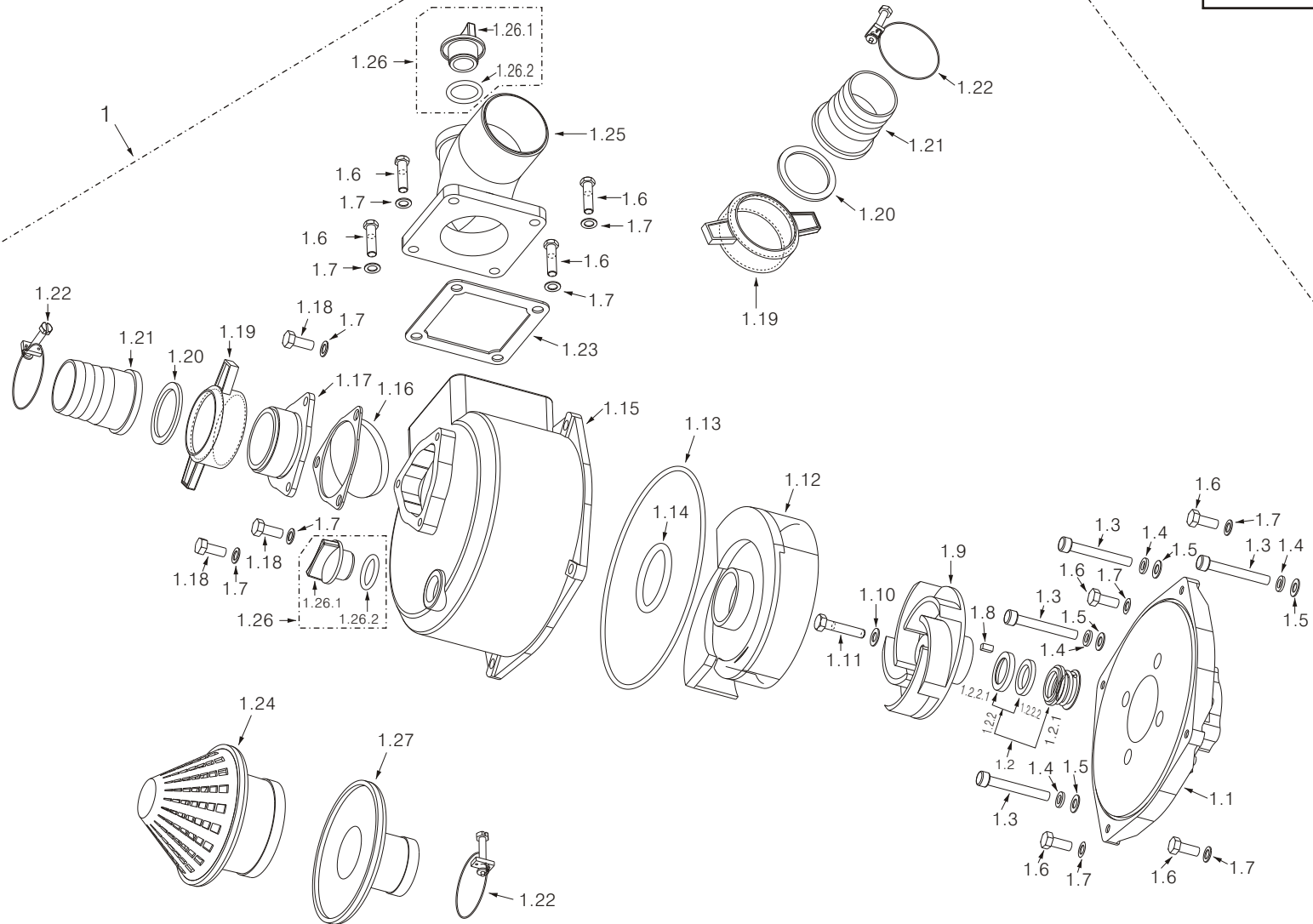
PARTS CATALOG

TW 2.0 MULTI-PURPOSE WATER PUMP



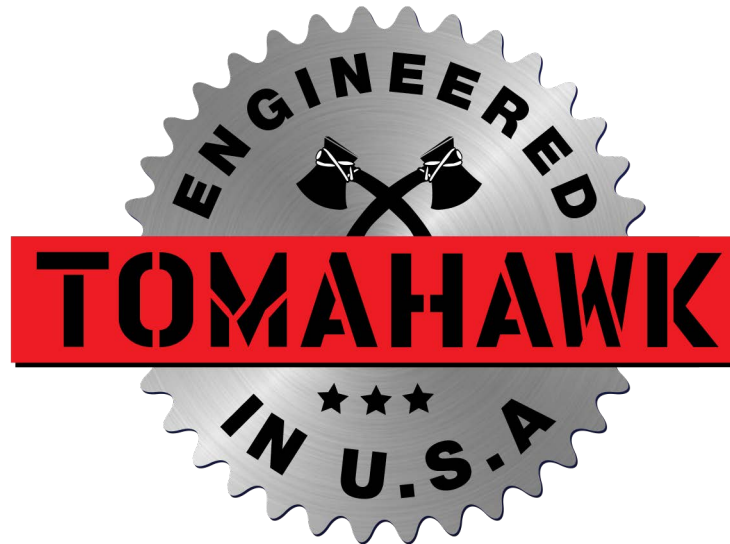
WATER PUMP PARTS

PART A



PART A

Serial No.	Parts Code	Parts Name	Specification	Quantity		Remark
				The List	Total	
1	WP50 • 10 • 0000	Water pump parts		1	1	
1.1	WP50 • 10 • 0021	Pump cover	2 inch	1		
1.2	WP50 • 10 • 1000	Water seal ass.		1		
1.2.1	WP50 • 10 • 1100	Static water seal ass.		1		
1.2.2	WP50 • 10 • 1200	Dynamic water seal ass.		1		
1.2.2.1	WP50 • 10 • 1201	Rubber seal, Ceramic seal body		1		
1.2.2.2	WP50 • 10 • 1202	Ceramic seal body		1		
1.3	WP80 • 10 • 0017	Bolt	M8*60	4		Nigrescence
1.4	WP80 • 10 • 0018	Rubber gasket	Φ8*Φ14 *2	4		
1.5	WP80 • 10 • 0019	Washer	Φ8*12*1	4		Cupreous
1.6	GB5780	Bolt	M8*25	8		S=13
1.7	GB97	Washer	Φ8	11		
1.8	WP80 • 10 • 0014	Flat key	5*5*10	1		
1.9	WP50 • 10 • 0013	Impeller		1		
1.10	WP80 • 10 • 0025	Washer	Φ8*Φ16*1	1		Cupreous
1.11	WP80 • 10 • 0024	Bolt	M8*40	1		Nigrescence
1.12	WP50 • 10 • 0012	Turbine		1		
1.13	WP50 • 10 • 0020	O-ring	Φ203*Φ3.5	1		
1.14	WP50 • 10 • 0026	O-ring	Φ65*Φ6	1		
1.15	WP50 • 10 • 0011	Pump body	2 inch	1		
1.16	WP50 • 10 • 0022	Rubber gasket, Triangle flange		1		
1.17	WP50 • 10 • 0008	TRiangle flange	2 inch	1		
1.18	GB5780	Bolt	M8*20	3		S=13
1.19	WP50 • 10 • 0002	Flange nut	2 inch	2		
1.20	WP50 • 10 • 0005	Rubber gasket, Inlet and outlet pipe	Φ55*Φ43*2.5	2		Rubber
1.21	WP50 • 10 • 0004	Inlet and outlet pipe	2 inch	2		
1.22	WP50 • 10 • 0003	Pipe hoop	52mm-76mm	3		
1.23	WP50 • 10 • 0009	Rectangular rubber gasket		1		Rubber
1.24	WP50 • 10 • 0001	Taper filter	2 inch	1		
1.25	WP50 • 10 • 0010	Pump elbow	2 inch	1		
1.26	WP80 • 10 • 2000	Rubber plug ass.		1		
1.26.1	WP80 • 10 • 2001	Rubber plug		2		
1.26.2	WP80 • 10 • 2002	O-ring	Φ32*Φ3.1	2		
1.27	WP50 • 10 • 0027	Cover, Taper filter	2 inch	1		



TOMAHAWK

Tel: 01 (800) 099-0778

Fax: (619) 269 - 1890

www.tomahawk-power.com