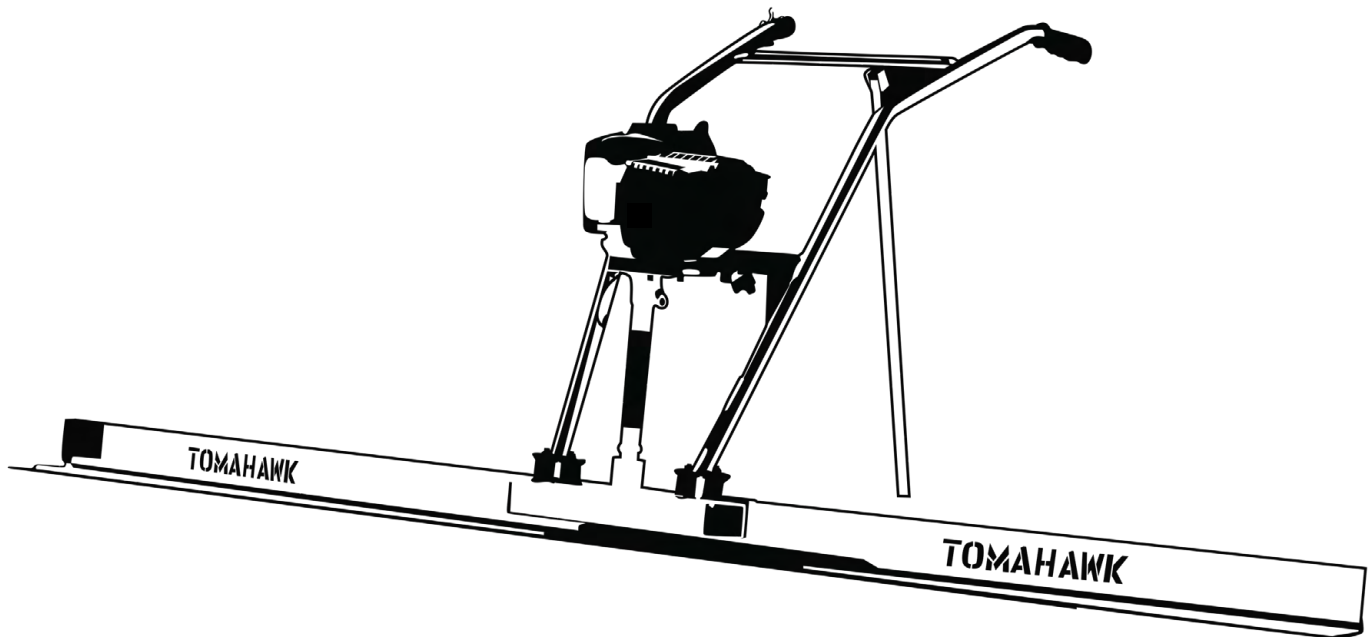


# TOMAHAWK

TVSA-T  
POWER SCREED

Parts Manual

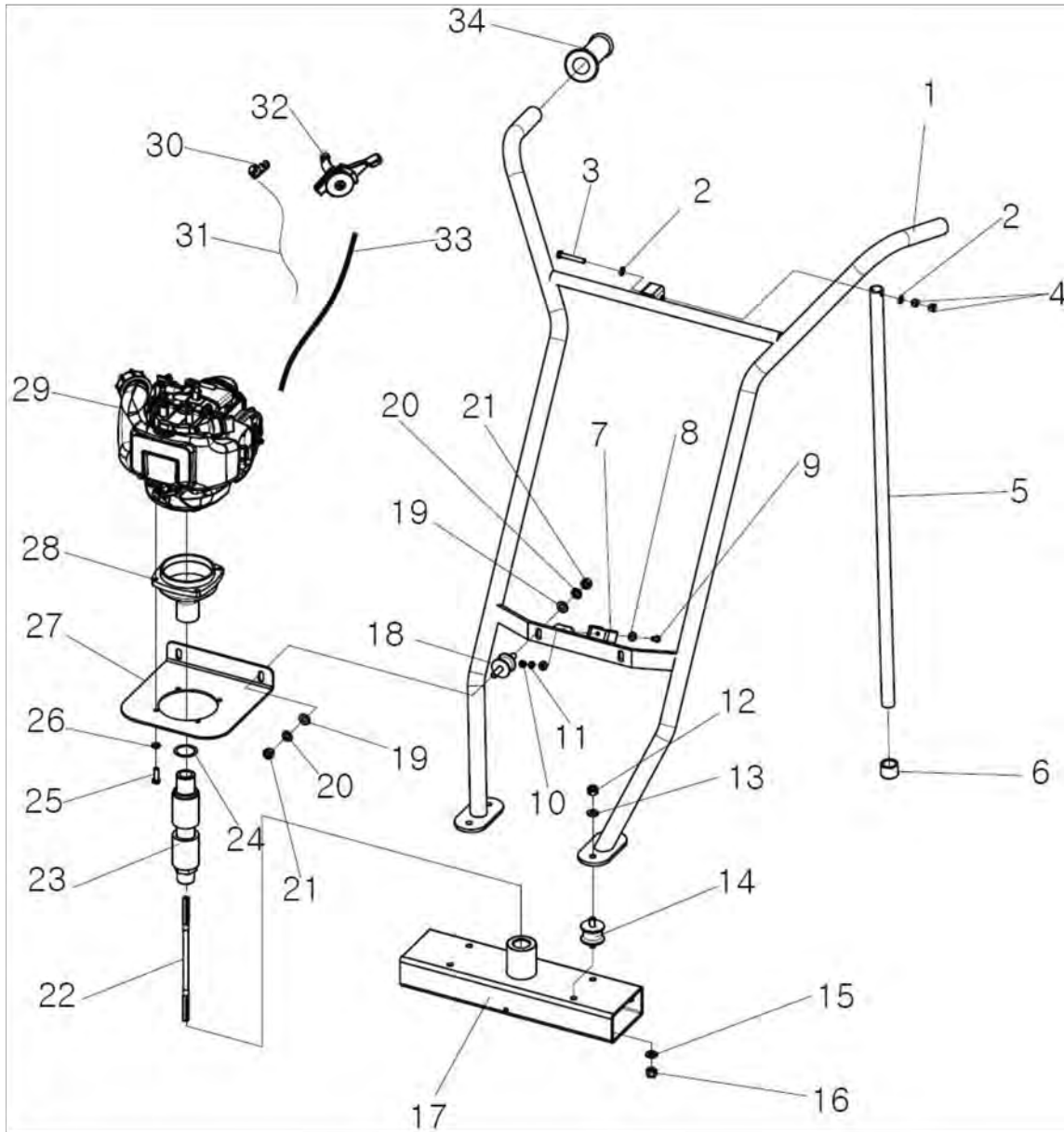


SCAN FOR ASSEMBLY GUIDE



HOW TO VIDEOS, MANUALS,  
FINISHING GUIDES, & MORE

# TVSA-T EXPLOSION DIAGRAM

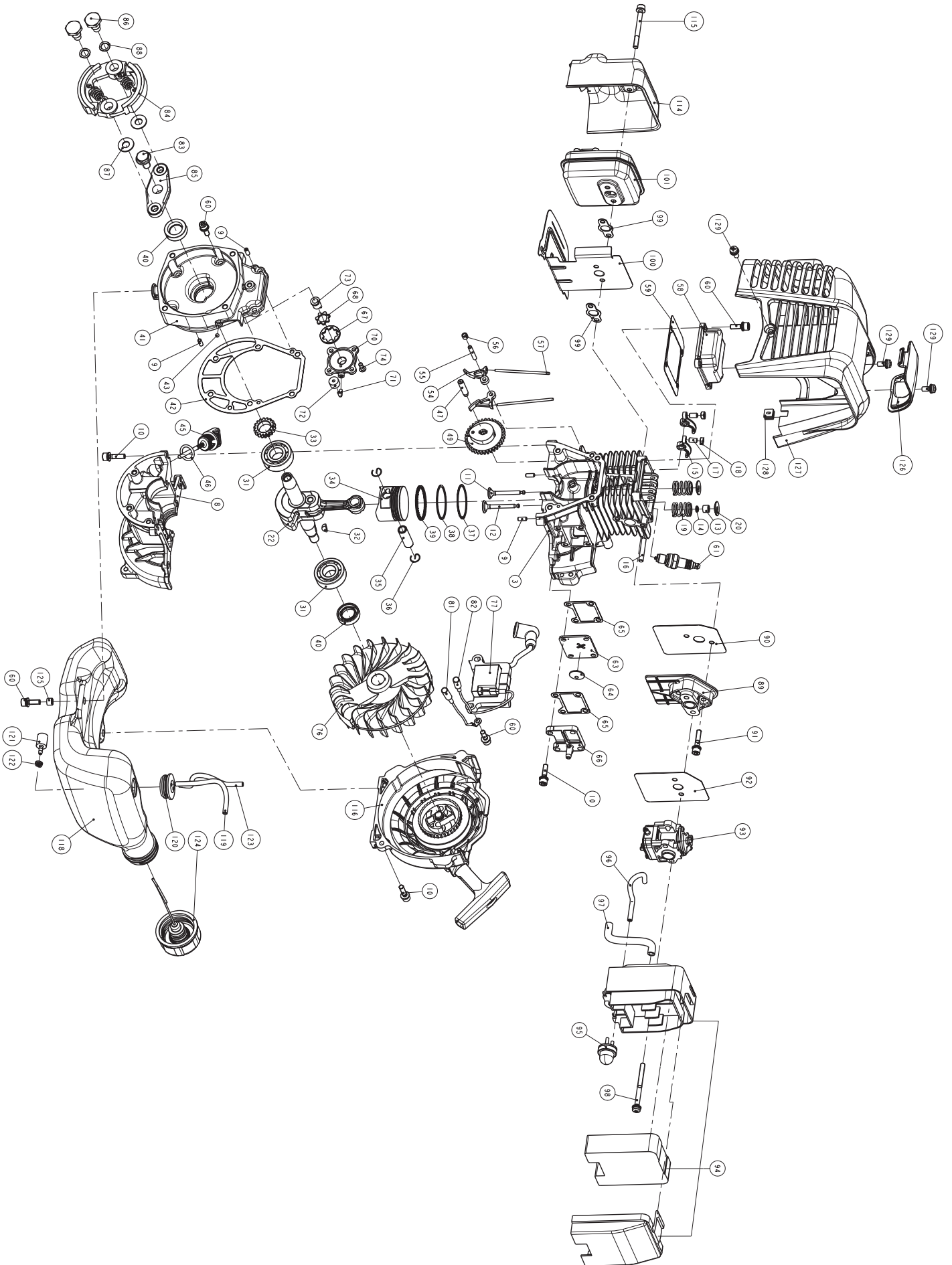


No.	Description	Qty	Size or Dimension
1	Handle Assembly	1	
2	Washer	2	
3	Bolt	1	M6*40L
4	Nut	2	M6
5	Handle Support Pipe	1	
6	Handle Support Pipe Rubber	1	
7	Clip	1	
8	Washer	2	M5
9	Bolt	1	M5x15
10	Nut	1	M5

## TVSA-T EXPLOSION DIAGRAM

<b>No.</b>	<b>Description</b>	<b>Qty</b>	<b>Size or Dimension</b>
11	Spring Washer	1	M5
12	Cap But	4	M8
13	Washer	4	M8
14	Handle Support Rubber	4	
15	Washer	4	M8
16	Cap Nut	4	M8
17	Vibratory Housing Assembly	1	
18	Handle Support Rubber	2	
19	Washer	4	M8
20	Spring Washer	4	M8
21	But	4	
22	Wire	1	
23	Hose Assembly	1	
24	O-Ring	1	P20
25	Bolt	4	M6*20L
26	Spring Washer	4	M6
27	Engine Plate	1	
28	Clutch Housing Assembly	1	
29	Engine	1	TOMAHAWK 37.7cc
30	Engine Stop Switch	1	
31	Engine Electric Stop Wire	1	
32	Throttle Lever	1	
33	Throttle Lever with Cable	1	
34	Handle Rubber	2	

# TVSA-T ENGINE DIAGRAM



## TVSA-T ENGINE DIAGRAM

No.	LEVEL				PARTS NO.	PARTS NAME
1					E15010000A	ENGINE ASS'Y
2					E15010400A	CYLINDER ASS'Y(A)
3	1				E15010410A	CYLINDER COMP.
4		1			E15010411A	CYLINDER BORING
5		2			139F-2.10.1-2	EXHAUST VALVE SEAT
6		3			139F-2.10.1-1	INTAKE VALVE SEAT
7		4			142F.9.3-4	VALVE GUIDE
8	2				E15010110A	CRANK CASE
9	3				6032104012	KNOCK PIN
10	4				2013050520	HEXAGON SOCKET BOLT M5x20
11					139F-2.10-5	EXHAUST VALVE
12					139F-2.10-4	INTAKE VALVE
13					139F-2.10-7	COVER INTAKE VALVE
14					139F-2.10-8	RING INTAKE VALVE
15					E15010661A	ROCKER ARM
16					E15010662A	ROCKER ARM PIN
17					134F.11-17	JIB SEAT
18					139F.7-5	ADJUST NUT
19					E15010420A	VALVE SPRING
20					E15010430A	VALVE SPRING SAET
21					E15010300A	PISTON CRANK ASS'Y
22	1				E15010320A	CRANK SHAFT ASS'Y
31	2				7002306202	BALL BEARING 6202
32	3					HALF KEY
33	4				E15010314A	CRANK GEAR
34	5				139F-2.3-1A	PISTON
35	6				139F-2.3-4	PISTON PIN
36	7				P40.6-4	CIR CLIP
37	8				139F.9-4	1ST RING
38	9				139F.9-5	2ND RING
39	10				139F.9.3	OIL RING
40					8820152507	OIL SAEL TC TYPE 15x25x7
41					E15010130A	SIDE COVER
42					E15010210A	SIDE COVER GASKET
43					6110900040	STEEL BALL
44					E15010120A	OIL CAP ASS'Y
47					E15010610A	CAM SHAFT
48					E15010620A	CAM GEAR ASS'Y
49	1				E15010621A	CAM GEAR
54					E15010630A	CAM FOLLOWER
55					E15010640A	CAM FOLLOWER SHAFT
56					E15010641A	ADJUSTING SPACER
57					139F-2.10-6	PUSH ROD
58					E15010710A	CYLINDER HEAD COVER
59					E15010720A	CYLINDER HEAD COVER GASKET
60					2013050516	HEX SOCKET HEAD CAP SCREW PS M5x20

## TVSA-T ENGINE DIAGRAM

No.	LEVEL			PARTS NO.	PARTS NAME
61				9500CMR5H	SPARK PLUG
62				E15010740A	UMBRELLA VAVLE COM
63	1			E15010741A	SEPARATOR PLATE
64	2			134F.12-5	UMBRELLA CHECK VALVE
65				E15010743A	SEPARATOR COVER GASKET
66				E15010744A	SEPARATOR COVER
67				E15010150A	OUTER ROTOR
68				E15010140A	INNER ROTOR
69				E15010160A	COVER PUMP COMP
72				E15010180A	OIL FILTER
73				E15010144A	ROLLER DRIVE SHAFT
74				GB/T 70.2-2000	
75				1E48F.5.1	MAGNETO ROTOR ASS'Y
83					HEXAGON HEAD BOLTS WITH FLANGE M8xP1.25x16
84					CLUTCH ASS'Y
89				E15015100A	INSULATOR
90				E15015010A	INSULATOR GASKET
91				2013050525	HEX SOCKET HEAD CAP SCREW PS M5x25
92				E13015030A	CARBURETOR GASKET
93					CARBURETOR (With throttle wire fixing plat)
94					CLEANER BODY ASS'Y(A)
95					PRIMING PUMP COMP
96					FUEL PUMP PIPE
97				E15010730A	BREATHER PIPE
98					M5x60 SCREW PS
99				E15010411A	MUFFLER GASKET
100				E15014120A	WIND GUIDE PLATE
101				E15014000A	MUFFLER ASS'Y
102	1			E15014010A	MUFFLER BASE
103	2			E15014020A	MUFFLER COVER ASS'Y
104		1		E15014021A	MUFFLER COVER
105		2		E15014022A	EXHAUST PIPE INNER PLATE
106	3			E15014030A	MUFFLER FLANGE
107	4			E15014040A	MUFFLER COLLAR
108	5			E15014050A	BUFFLE PLATE
109	6			E15014060A	SCREEN,SPARK
110	7			E15014070A	EXHAUST PIPE GASKET
111	8			E15014080A	EXHAUST PIPE PLATE
112	9			E15014090A	EXHAUST PIPE
113	10			E15014100A	M4 SCREW
114				E15014130A	MUFFLER HEAT SHIELD
115				E15014050A	HEX. SOCKET HEAD CAP SCREW P M5xP0.8x50
116				1E48F.6	RECOIL STARTER ASS'Y
117				E15017100A	TANK ASS'Y
118	1			E15017110A	TANK
119	2			E15017120A	FUEL PIPE
120	3			E15017130A	FUEL GROMMET

## TVSA-T ENGINE DIAGRAM

No.	LEVEL			PARTS NO.	PARTS NAME
121	4			E15017140A	PUMP FILTER BODY ASS'Y
122	5			E15017150A	FUEL PIPE
123	6			E15017200A	TANK CAP ASS'Y
124	7				COLLAR
125				E15016010A	PLUG COVER
126				E15016000A	ENGINE COVER ASS'Y
127					RUBBER PLUG
128				1103010514	CROSS RECESSED PAN HEAD SCREW PS M5X14
129				GB/T 97-1	PLAIN WASHER
130				GB/T 93	SINGLE COIL SPRING LOCK WASHERS
131				GB/T 41-2000	HEXAGON NUTS M10x P1.0
132					DUCKBILL CHECK
133				E15010745A	SEPARATOR GASKET A
134				E15010746A	SEPARATOR ELEMENT





## Power Your World

Tomahawk understands to keep a job-site running smoothly the proper equipment and spare parts are needed at the drop of a hat. With same day shipping and faster delivery times, count on Tomahawk to keep you powered throughout the day! With long lasting parts and engines, Tomahawk equipment will be the star of your fleet for years to come. Visit [www.tomahawk-power.com](http://www.tomahawk-power.com) to get started today!

# TOMAHAWK

Tomahawk Power, LLC  
San Diego, CA

**Sales Support**  
(866) 577-4476  
[sales@tomahawk-power.com](mailto:sales@tomahawk-power.com)

**Equipment Support**  
(866) 577-4476  
[support@tomahawk-power.com](mailto:support@tomahawk-power.com)

[www.tomahawk-power.com](http://www.tomahawk-power.com)



**FACEBOOK**  
[facebook.com/TomahawkPowerUSA](https://facebook.com/TomahawkPowerUSA)

**YOUTUBE**  
[youtube.com/TomahawkPower](https://youtube.com/TomahawkPower)

**INSTAGRAM**  
[@tomahawkpower](https://instagram.com/tomahawkpower)