

Tomahawk Gas Scarifier Cutter Spare Parts



Tungsten Carbide Tip/TCT Cutters

Scarifier Milling Cutters

Steel Scarifier Cutters

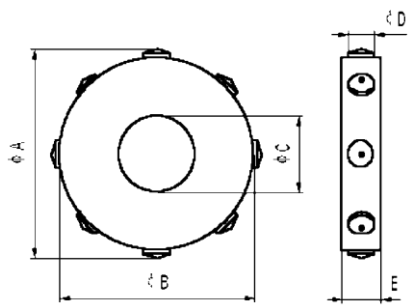
- **RANGE OF CUTTERS TO SUIT MOST MACHINES**
- **HARDENED BORE or FULLY HARDENED BODY (for TCT cutter) and HARDENED BODY (for steel cutters)**
- **PLATED BODY**
- **HIGH GRADE CARBIDE TIP K30(TCT cutters)**
- **VERY COMPETITIVE PRICE**



We specialize in the manufacturing a complete line of replacement *scarifier cutters* for gas scarifier & floor planners. Our products include tungsten carbide tip/TCT scarifier cutters, TCT milling cutters and steel scarifier cutters. There are more than sixty kinds and they can be used in most of equipment manufactures' machines.

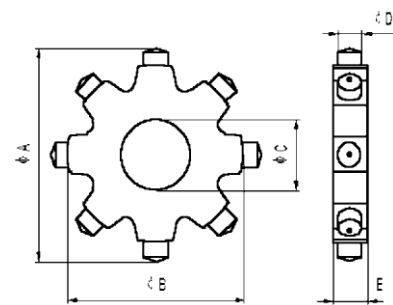
WARRANTY-- We warrant that our cutters are free from defects in materials and workmanship. If such a fault can be found within six months from the date of shipment from us or an approved dealer, we will replace free of charge all failed product. Any failed unit must however be returned to Vendor paid to the premises for inspection. If it is found to be a warranty issue, any reasonable carriage will be refunded. The warranty does not cover failure attributable to normal wear and tear, accidental damage site or operator misuse, abuse or lack of maintenance. Change in design are reserved by us

Tomahawk Power Scarifier Cutters/Tungsten Carbide Cutter



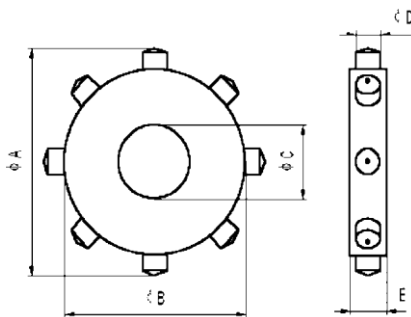
8 tips, dia30 x 6

Item No.	A	B	C	D	E	L*
203012.1	32.6	30	12	4.1	6	5.5
203012.2	32.6	30	12	4.1	6	8.5
214215.1	44	42	15	4.1	6	5.5
214215.2	44	42	15	4.1	6	8.5



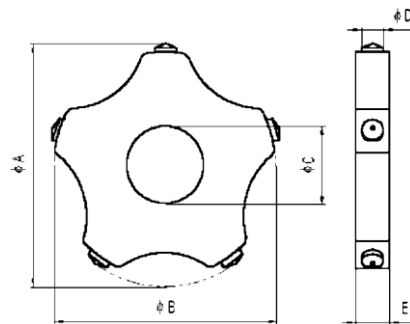
8 tips, dia30 x 6

Item No.	A	B	C	D	E	L*
213012.1	36	30	12	4.1	6	5.5
213012.2	36	30	12	4.1	6	8.5



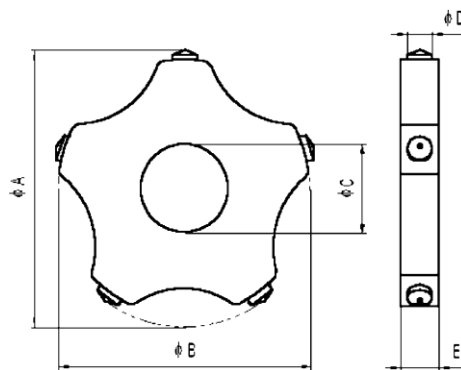
8 tips, dia30 x 6/8

Item No.	A	B	C	D	E	L*
223012.1	36.6	30	12	4.1	6	5.5
223012.2	36.6	30	12	4.1	6	8.5
233012.1	36.6	30	12	4.1	8	5.5
233012.2	36.6	30	12	4.1	8	8.5



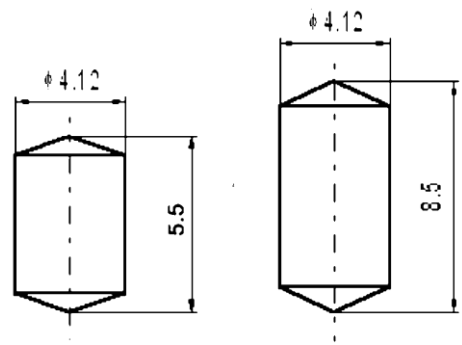
5 tips, dia40 x 6

Item No.	A	B	C	D	E	L*
204012.1	43	40	12	4.1	6	5.5
204012.2	43	40	12	4.1	6	8.5
204016.1	43	40	16	4.1	6	5.5
204016.2	43	40	16	4.1	6	8.5



5 tips, dia 42 x 6

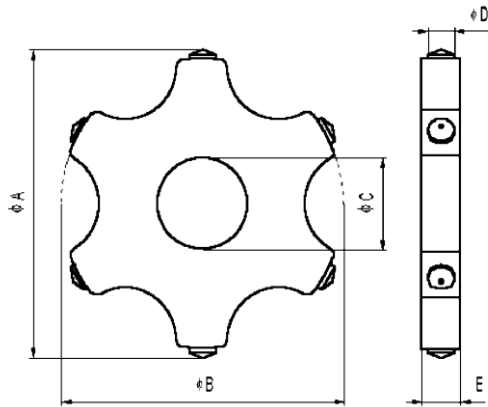
Item No.	A	B	C	D	E	L*
204216.1	44.6	42	16	4.1	6	5.5
204216.2	44.6	42	16	4.1	6	8.5



Tungsten Carbide Tip

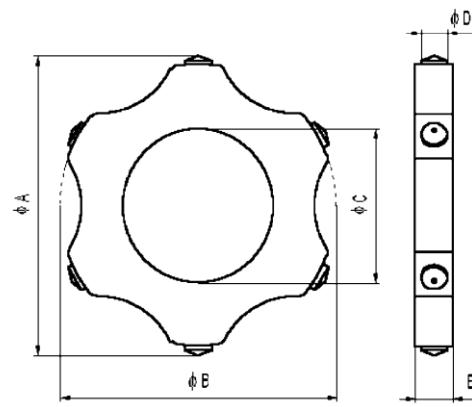
L* =Length of Tungsten Carbide Tip

Tomahawk Power Scarifier Cutters/Tungsten Carbide Cutters



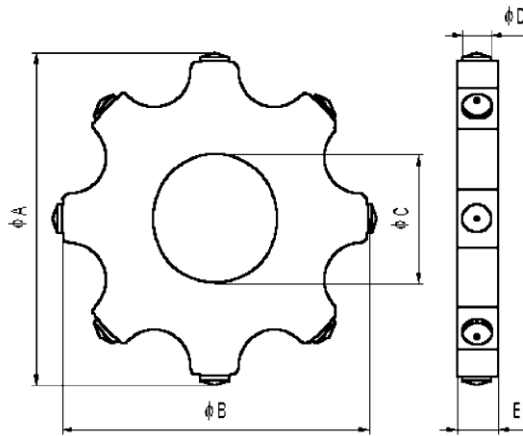
6 tips, dia44x6

Item No.	A	B	C	D	E	L*
204418.1	46.6	44	18	4.1	6.0	5.5
204418.2	46.6	44	18	4.1	6.0	8.5
204415.1	46.6	44	15	4.1	6.0	5.5
204415.2	46.6	44	15	4.1	6.0	8.5
204412.1	46.6	44	12	4.1	6.0	5.5
204412.2	46.6	44	12	4.1	6.0	8.5



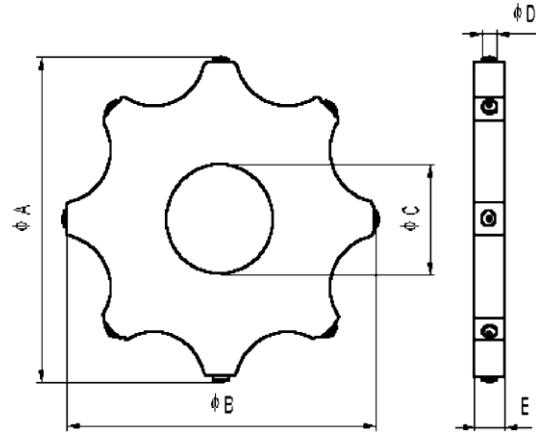
6 tips, dia54x6

Item No.	A	B	C	D	E	L*
205425.1	56.6	54	25	4.1	6.0	5.5
205425.2	56.6	54	25	4.1	6.0	8.5
205420.1	56.6	54	20	4.1	6.0	5.5
205420.2	56.6	54	20	4.1	6.0	8.5
205418.1	56.6	54	18	4.1	6.0	5.5
205418.2	56.6	54	18	4.1	6.0	8.5



8 tips, dia56x6

Item No.	A	B	C	D	E	L*
205625.1	58.6	56	25	4.1	6.0	5.5
205625.2	58.6	56	25	4.1	6.0	8.5
205620.1	58.6	56	20	4.1	6.0	5.5
205620.2	58.6	56	20	4.1	6.0	8.5
205618.1	58.6	56	18	4.1	6.0	5.5
205618.2	58.6	56	18	4.1	6.0	8.5

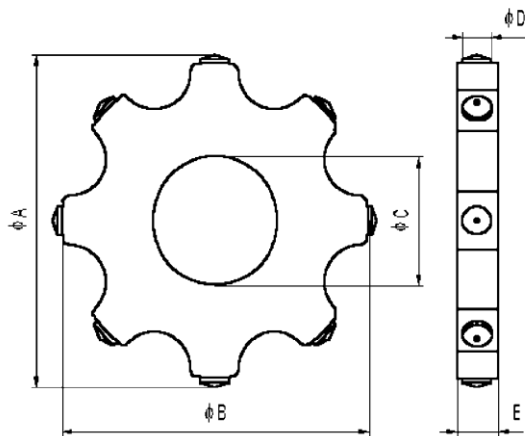


8 tips, dia65x6

Item No.	A	B	C	D	E	L*
206525.1	67.6	65	25	4.1	6.0	5.5
206525.2	67.6	65	25	4.1	6.0	8.5
206520.1	67.6	65	20	4.1	6.0	5.5
206520.2	67.6	65	20	4.1	6.0	8.5
206517.1	67.6	65	17	4.1	6.0	5.5
206517.2	67.6	65	17	4.1	6.0	8.5

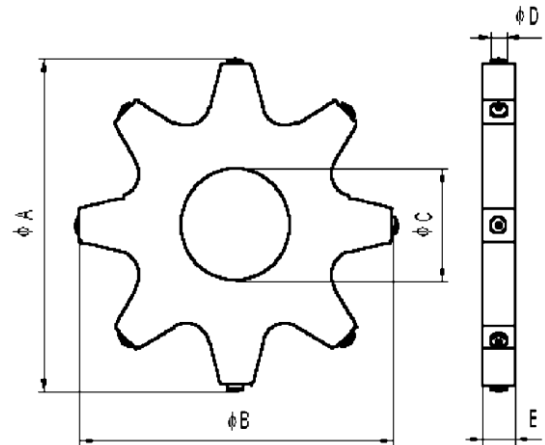
L* = Length of Tungsten Carbide Tip

Tomahawk Power Scarifier Cutters/Tungsten Carbide Cutters



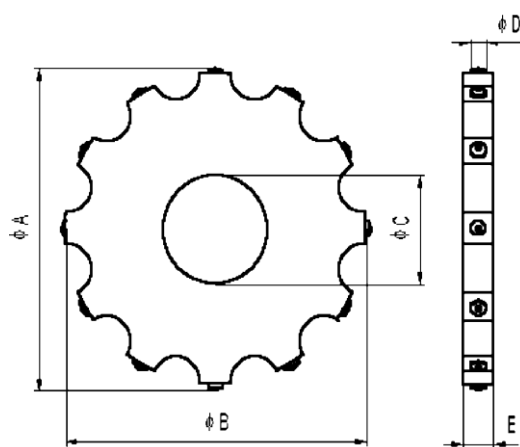
8 tips, dia80x8

Item No.	A	B	C	D	E	L*
208030.1	82.6	80	30	4.1	8	5.5
208030.2	82.6	80	30	4.1	8	8.5
208025.1	82.6	80	25	4.1	8	5.5
208025.2	82.6	80	25	4.1	8	8.5



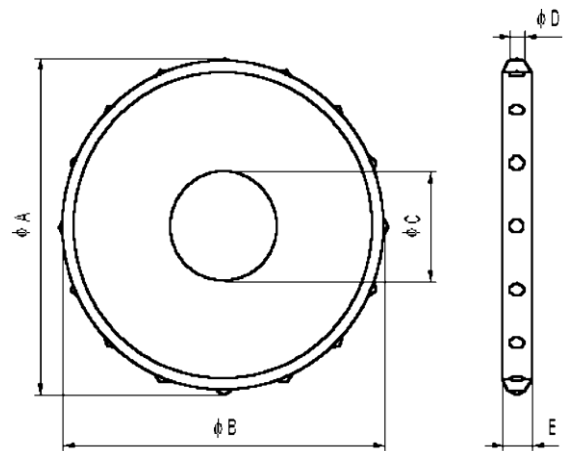
8 tips, dia80x8

Item No.	A	B	C	D	E	L*
218030.1	82.6	80	30	4.1	8	5.5
218030.2	82.6	80	30	4.1	8	8.5
218025.1	82.6	80	25	4.1	8	5.5
218025.2	82.6	80	25	4.1	8	8.5



12 tips, dia77x8

Item No.	A	B	C	D	E	L*
207730.1	79.6	77	30	4.1	8	5.5
207730.2	79.6	77	30	4.1	8	8.5
207726.1	79.6	77	26	4.1	8	5.5
207726.2	79.6	77	26	4.1	8	8.5
209230.1	93.5	92	30	4.1	8	5.5
209230.2	93.5	92	30	4.1	8	8.5

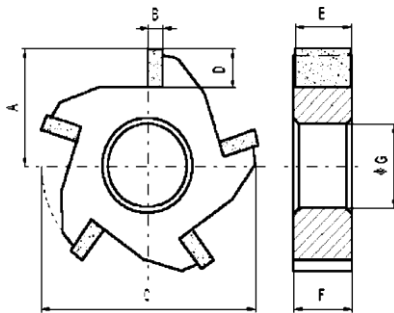


16 tips, dia 90x8

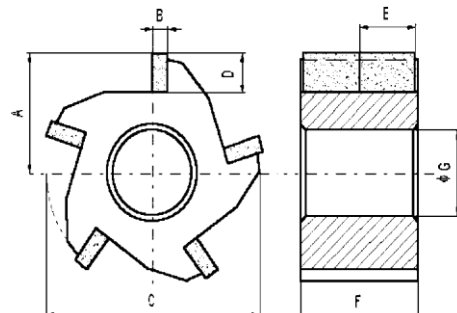
Item No.	A	B	C	D	E	L*
209026.1	92	90	26	4.1	8	5.5
209026.2	92	90	26	4.1	8	8.5
209030.1	92	90	30	4.1	8	5.5
209030.2	92	90	30	4.1	8	8.5

L* = Length of Tungsten Carbide Tip

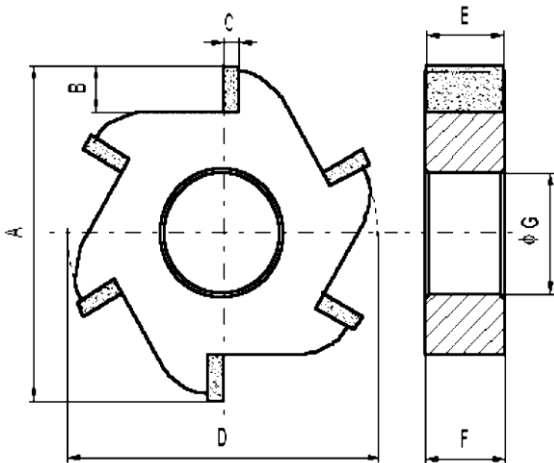
Tomahawk Power Scarifier Cutters/Tungsten Carbide Milling Cutter



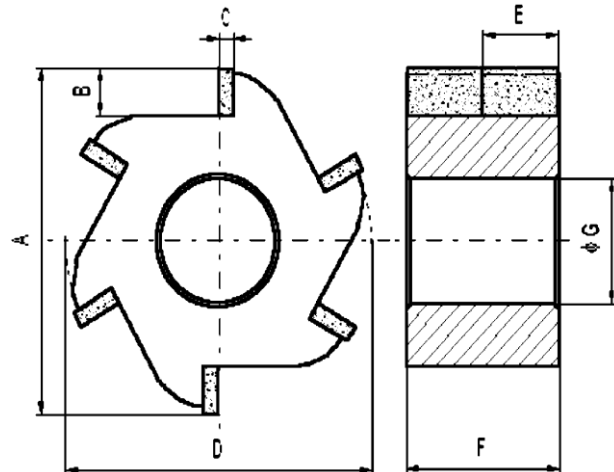
Item No.	A	B	C	D	E	F	G
304011	21	2.8	40	7	10.5	11	15



Item No.	A	B	C	D	E	F	G
304022	21	2.8	40	7	10.5	22	15



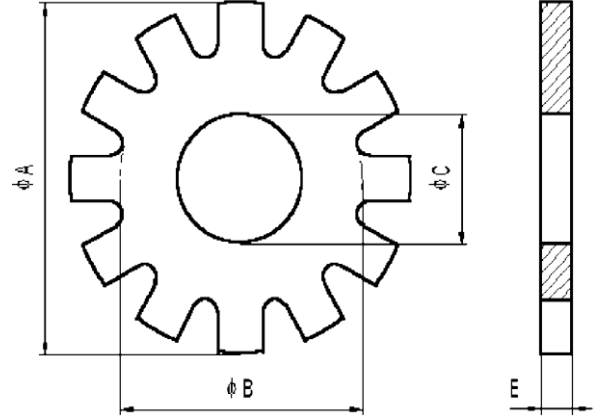
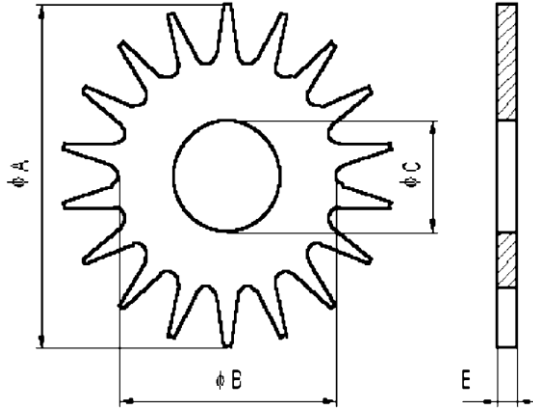
Item No.	A	B	C	D	E	F	G
308019	82.6	11.5	4	80	19.5	20	30



Item No.	A	B	C	D	E	F	G
308039	82.6	11.5	4	80	19.5	40	30

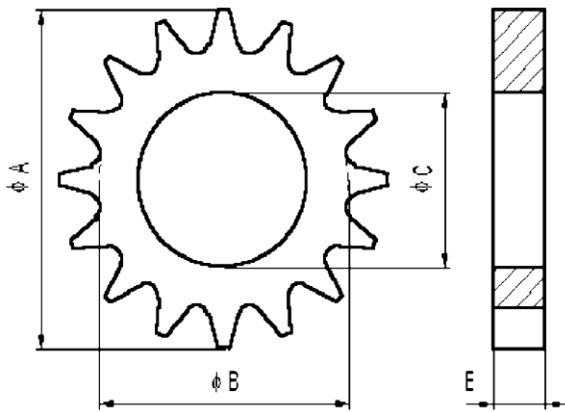
- RANGE OF CUTTERS TO SUIT MOST MACHINES**
- HARDENED BORE**
- HIGH GRADE CARBIDE TIP K30**
- VERY COMPETITIVE PRICE**
- PROMPT DELIVERY**

Tomahawk Power Star and Beam Steel Scarifier Cutters



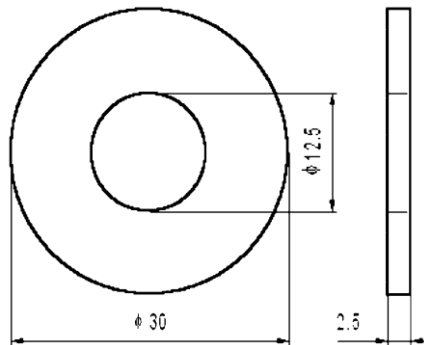
Item No.	Type	Teeth	A	C	E
403208	Star	18	32	8	2.4
404012	Star	18	40	13	2.4
405216.1	Star	18	52	16	2.4
405216.2	Star	18	52	16	4.0
404216	Star	18	42	16	3.0
405113	Star	18	51	13	4.0

Item No.	Type	Teeth	A	C	E
414515	Beam	12	45	15	2.5
416026	Beam	12	60	26	4.0
418530.1	Beam	12	85	30	3.0
418530.2	Beam	12	85	30	4.0
415216	Beam	12	52	16	4.0
417326	Beam	15	73	26	4.5

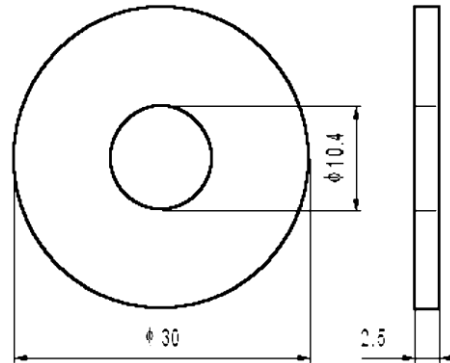


Item No.	Type	Teeth	A	C	E
402512	Star	16	25	13	4.0
403213	Star	16	32	13	4.0

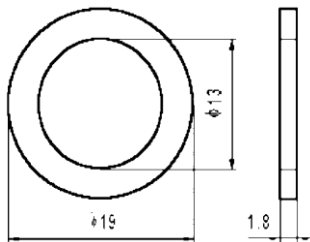
Washers



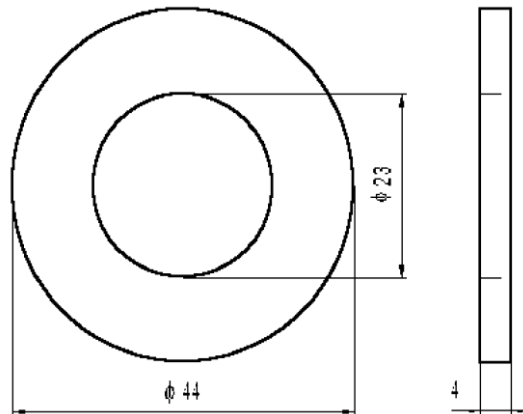
$\phi 30 \times 12.5 \times 2.5\text{mm}$	
Item No.	5030125



$\phi 30 \times 10.4 \times 2.5\text{mm}$	
Item No.	5030104



$\phi 19 \times 13 \times 1.8\text{mm}$	
Item No.	501913



$\phi 44 \times 23 \times 4\text{mm}$	
Item No.	504423

-- HIGH GRADE CARBON STEEL ASTM 1065 (DIN 60 Mn3)

-- CASE HARDENED AT ABOUT 57 HRC