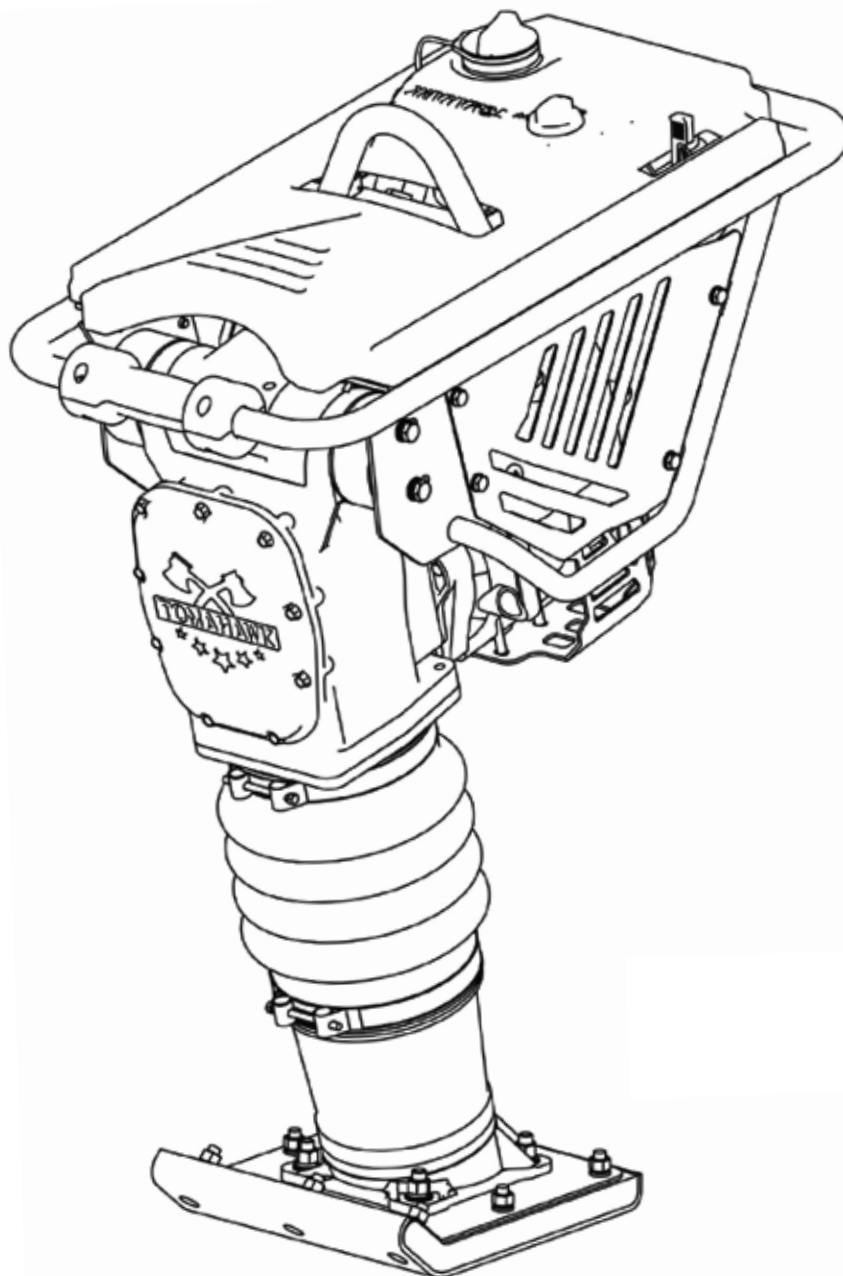


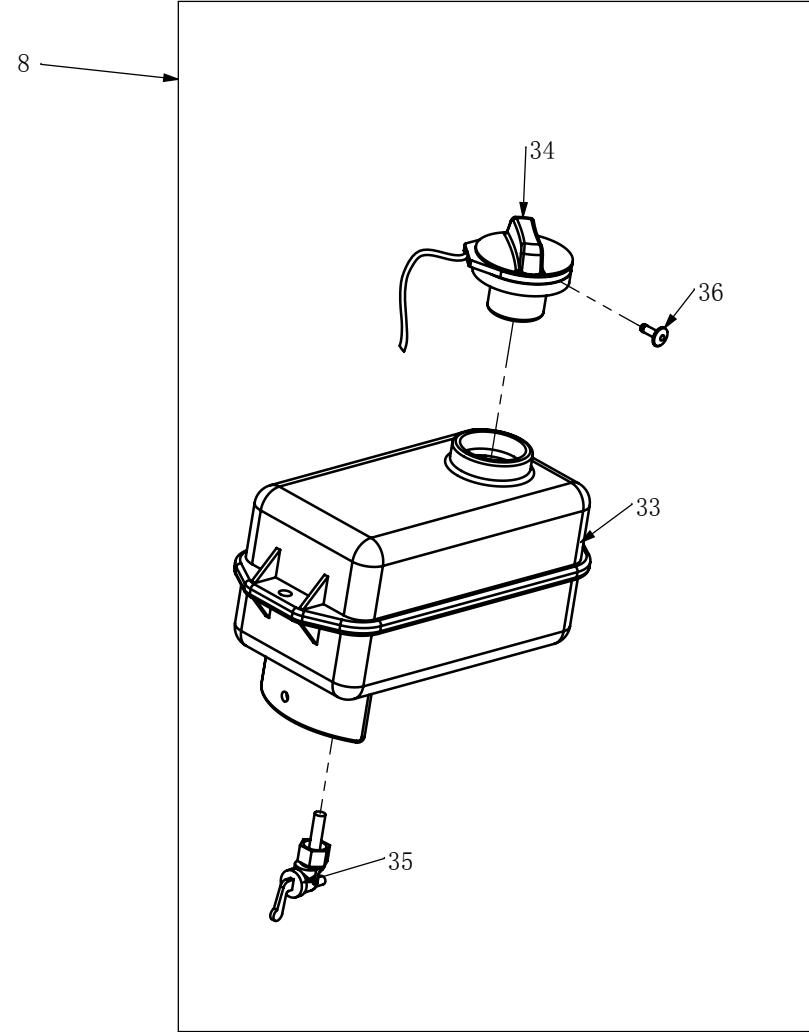
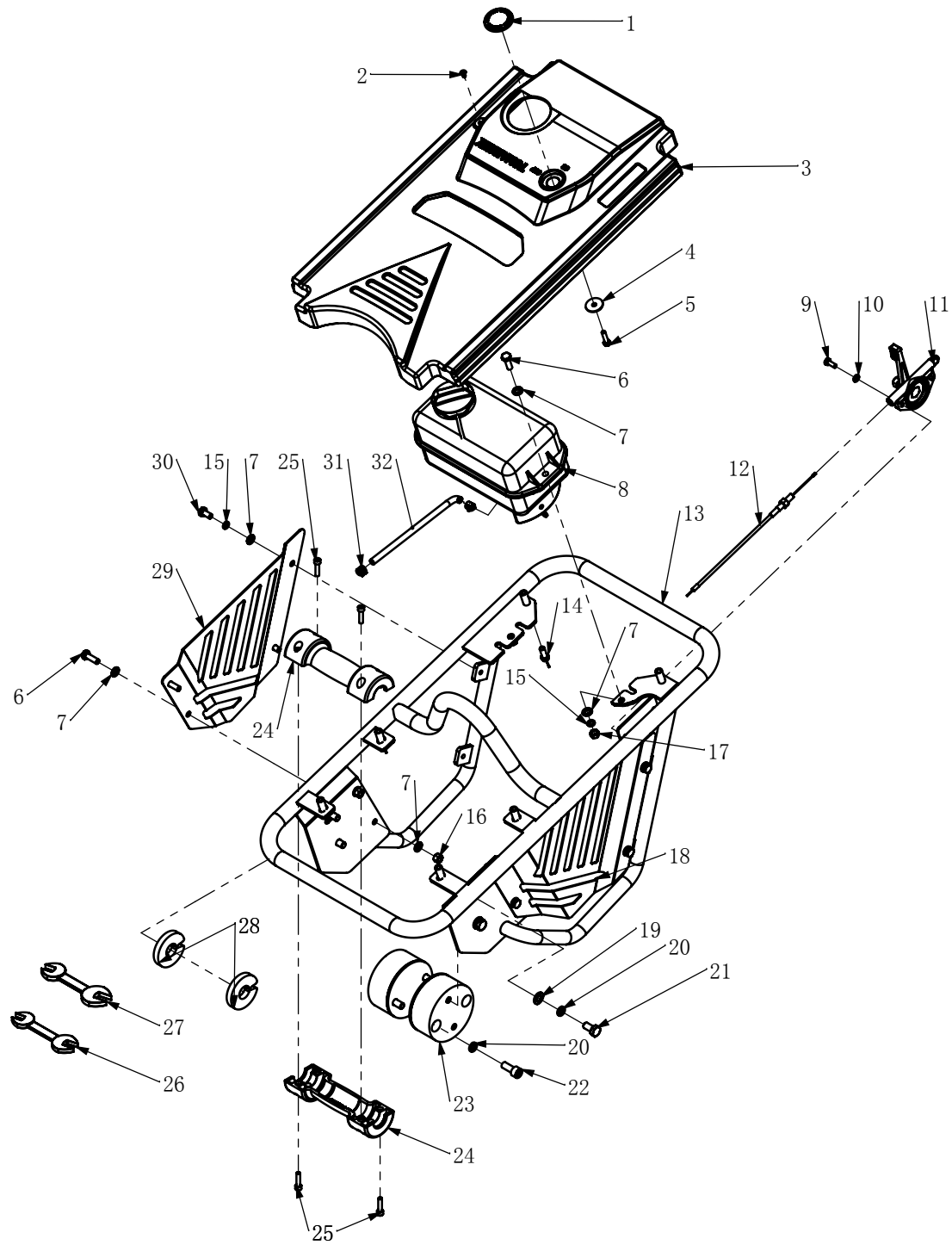
TOMAHAWK

TR68H
VIBRATORY RAMMER

Operations Manual



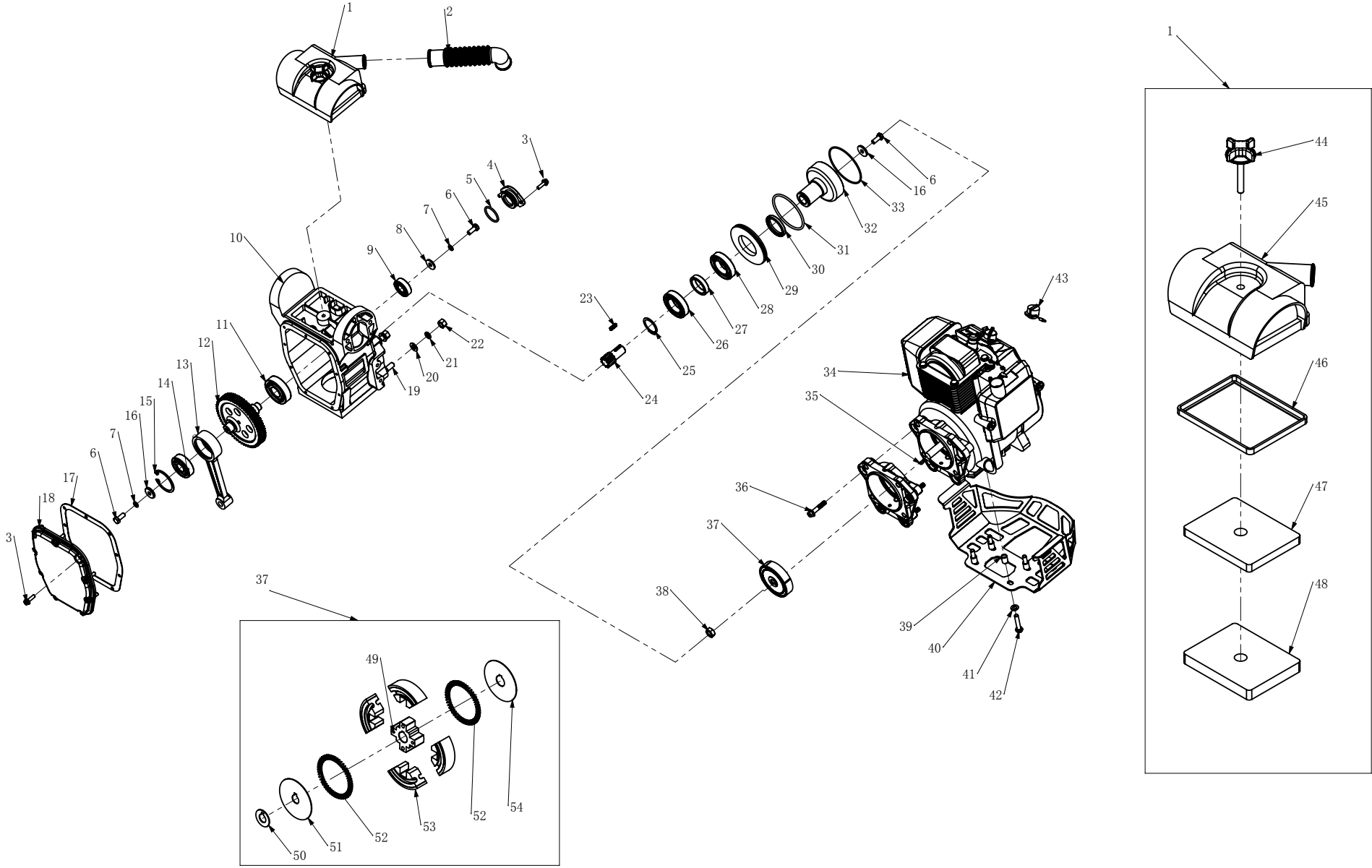
TANK AND HANDLE



TANK AND HANDLE

No.	Description	Drawing No.	Qty
1	Plug	1102-00058-4	1
2	Screw ST4.8x12	16481209	1
3	Handle Cover	1102-00057-4	1
4	Washer M6x25x1.5	11062502	1
5	Bolt M6x35	15060350	1
6	Bolt M8x25	15080250	6
7	Washer M8	11080000	16
8	Fuel Tank Assy.	1101-21000-4	1
9	Bolt M6x16	15060160	2
10	Washer M6	11060000	2
11	Trottel Lever Assy.	1102-06000-3	1
12	Throttle Wire	1101-06000-4	1
13	Handle Assy.	1101-22000-3	1
14	Wing Bolt M8x20	16082024	6
15	Spring Washer M8	12080000	6
16	Nut M8	13080000	4
17	Lock Nut M8	13080001	2
18	Engine Shield, Right	1102-00068-2	1
19	Washer M10	11100000	4
20	Spring Washer M10	12100000	8
21	Bolt M10x20	15100200	4
22	Allen Screw M10x25	16100253	4
23	Shock Absorber Assy.	1101-03000-4	2
24	Roller Assy.	1101-26000-1	1
25			4
28			2
26	Wrench 12x14	70000038	1
27	Wrench 13x16	70000039	1
29	Engine Shield, Left	1102-00067-2	1
30	Bolt M8x16	15080160	4
31	Clamp Φ10	70000023	2
32	Fuel Hose	1101-00038-4	1
33	Fuel Tank	1101-21001-4	1
34	Gap, Fuel Tank	1101-21002-4	1
35	Fuel Switch	1101-21003-4	1
36	Pin	1101-16004-4	1

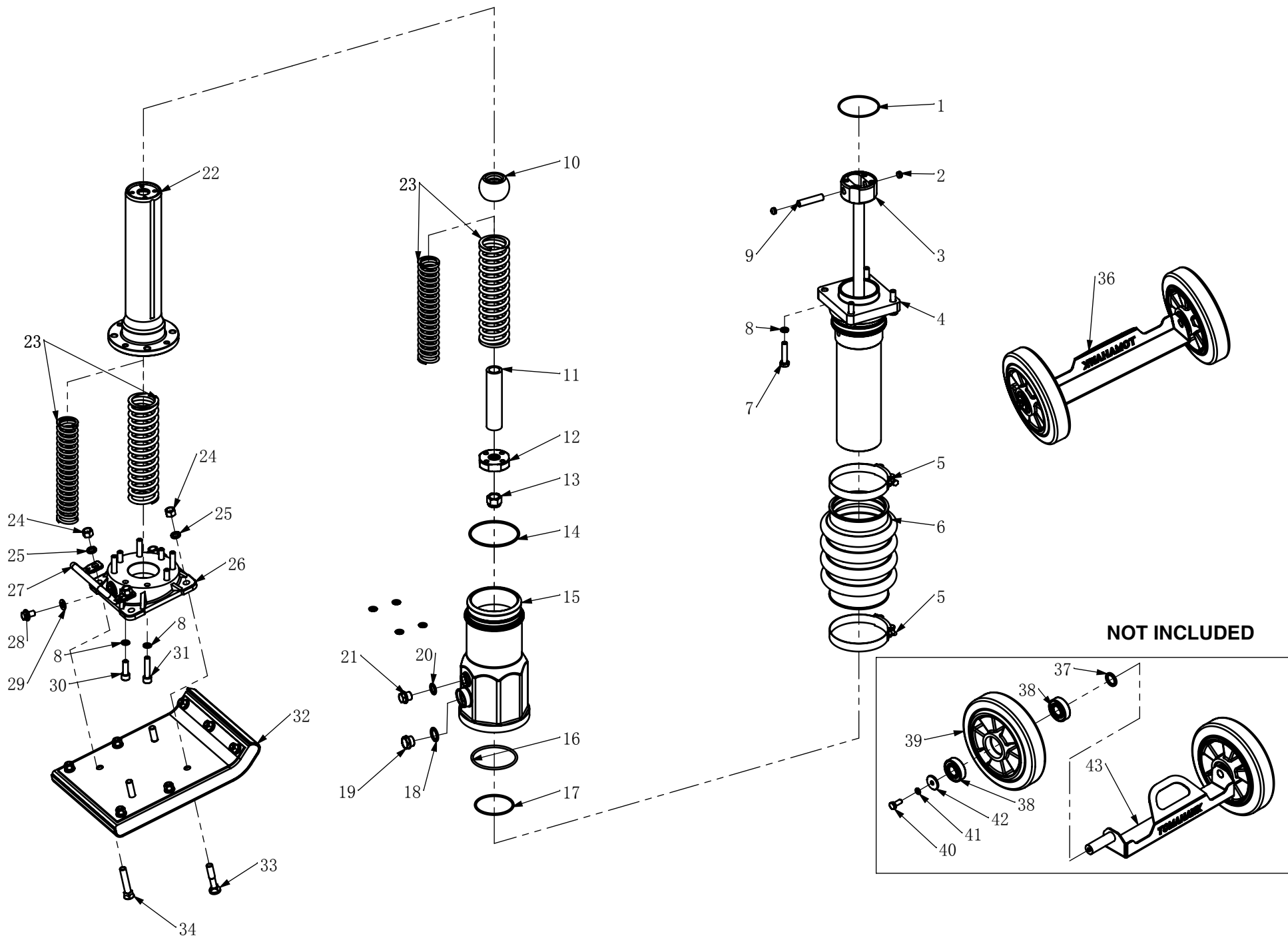
CRANK CASE ASSEMBLY



CRANK CASE ASSEMBLY

No.	Description	Drawing No.	Qty
1	Air Cleaner Assy.	1101-07000-1	1
2	Intake Hose	1101-00027-4	1
3	Bolt M6x20	15060202	11
4	Bearing Cover	1101-00019-1	1
5	O-Ring Φ 40x3.1	260403.1	1
6	Bolt M8x20 (12.9)	15080208	3
7	Spring Washer M8	12080000	2
8	Washer M8x24x3	11082403	1
9	Bearing 6203	216203	1
10	Crank Case	1101-00012-1	1
11	Bearing 6305	216305	1
12	Crank Gear	1101-00017-4	1
13	Connecting Rod	1101-00018-4	1
14	Bearing 6304	216304	1
15	Circlip Φ 52	18520002	1
16	Washer M8x26x4.5	1101-00061-4	2
17	Packing, Front Cover	1101-00020-4	1
18	Front Cover	1101-00050-1	1
19	Bolt M10x50	15100509	4
20	Washer M10	11100000	4
21	Spring Washer M10	12100000	4
22	Nut M10	13101410	4
23	Key 5x19	20050519A	1
24	Pinion	1101-00016-4	1
25	Circlip Φ 35	18350001	1
26	Bearing 6007	216007	1
27	Spacer	1101-00015-1	1
28	Bearing 6007	216007-Z	1
29	Spacer	1101-00014-1	1
30	Oil Sealing TC Φ 52x Φ 40x4	2540520702	1
31	O-Ring Φ 92x4	2609204	1
32	Clutch Drum	1101-00013-4	1
33	O-Ring Φ 95x2.4	260952.4	1
34	Engine	25100002	1
35	Key 4x13	20040013D	1
36	Bolt M8x40	150804002	4
37	Clutch Assy.	1101-02000-1	1
38	Bolt M12	1101-00030-1	1
39	Spacer, Engine Shield	1101-00031-1	4
40	Engine Shield, Lower	1102-07000-3	1
41	Washer M8	11080000	4
42	Bolt M8x40	15080400	4
43	Engine Switch	35120-Z0D-V81C	1
44	Grip Bolt CP Assy., Air Cleaner	1101-00026-4	1
45	Cover, Air Cleaner	1101-00024-4	1
46	Packing, Air Cleaner	1101-00025-4	1
47	Air Filter (Gray)	1101-00023-4	1
48	Air Filter (Yellow)	1101-00022-4	1

CYLINDER AND FOOT ASSEMBLY



CYLINDER AND FOOT ASSEMBLY

No.	Description	Drawing No.	Qty
1	O-Ring Φ 82x2.4	260822.4	1
2	Plug	1101-00011-4	2
3	Piston Rod	1101-00046-4	1
4	Guide Cylinder	1101-00006-4	1
5	Clamp, Bellow	1101-00005-4	2
6	Bellow	1101-00049-4	1
7	Bolt M10x45	15100450	4
8	Spring Washer M10	12100000	12
9	Piston Pin	1101-00010-4	1
10	Stopper, Upper	1101-00044-4	1
11	Stopper, Lower	1101-00042-4	1
12	Piston End	1101-00040-4	1
13	Lock Nut M18x1.5	13180007	1
14	O-Ring Φ 100x3.5	261003.5	2
15	Protection Sleeve	1101-00002-1	1
16	O-Ring Φ 92x4	2609204	1
17	O-Ring Φ 78x3.1	260783.1	1
18	Sealing M20	14200002	1
19	Oil Level Gauge	1101-00004-4	1
20	Sealing M16	14160002	1
21	Plug M16x1.5x12	70161512	1
22	Spring Cylinder	1101-00003-4	1
23	Main Spring	1101-20000-4	2
24	Lock Nut M12	13120001	4
25	Spring Washer M12	12120000	4
26	Foot Plate	1101-00001-4	1
27	Handle Bar	1101-00007-4	1
28	Plug M10x1x16	70101016	1
29	Washer M10x1	70000004	1
30	Allen Screw M10x30	16103015	4
31	Allen Screw M10x45	16104515	4
32	Foot Assy.	1101-01000-4	1
33	Bolt M12x65	15120655	2
34	Bolt M12x70	15120705	2
35	Wheel Kits	1101-19000-1	1
36	Spacer	70000048	2
37	Bearing 6204	216204-2R	4
38	Wheel	2420050601	2
39	Bolt M8x20	15080200	2
40	Spring Washer M8	12080000	2
41	Washer M8x30x3	11083003	2
42	Frame, Wheel Kits	1101-18000-3	1



LIFT RIGHT

Save your back

The Tomahawk Power Rammer Transport Wheel Kit is great for job sites large and small. This is the best tool for headache free rammer transport!

Perfectly balanced, simply line up the wheels to the rammer shoe, hook the wheels into the lifting handle, and roll away!

Fits Tomahawk TR68H and JX60H model rammers.



MODEL# TR68H-WHEEL

AVAILABLE AT TOMAHAWK-POWER.COM

Power Your World



Power Your World

Tomahawk understands to keep a job-site running smoothly the proper equipment and spare parts are needed at the drop of a hat. With same day shipping and faster delivery times, count on Tomahawk to keep you powered throughout the day! With long lasting parts and engines, Tomahawk equipment will be the star of your fleet for years to come. Visit www.tomahawk-power.com to get started today!

TOMAHAWK

Tomahawk Power, LLC
San Diego, CA

Sales Support

(866) 577-4476
sales@tomahawk-power.com

Equipment Support

(866) 577-4476
support@tomahawk-power.com

www.tomahawk-power.com



FACEBOOK

facebook.com/TomahawkPowerUSA

YOUTUBE

youtube.com/TomahawkPower

INSTAGRAM

[@tomahawkpower](https://instagram.com/tomahawkpower)