



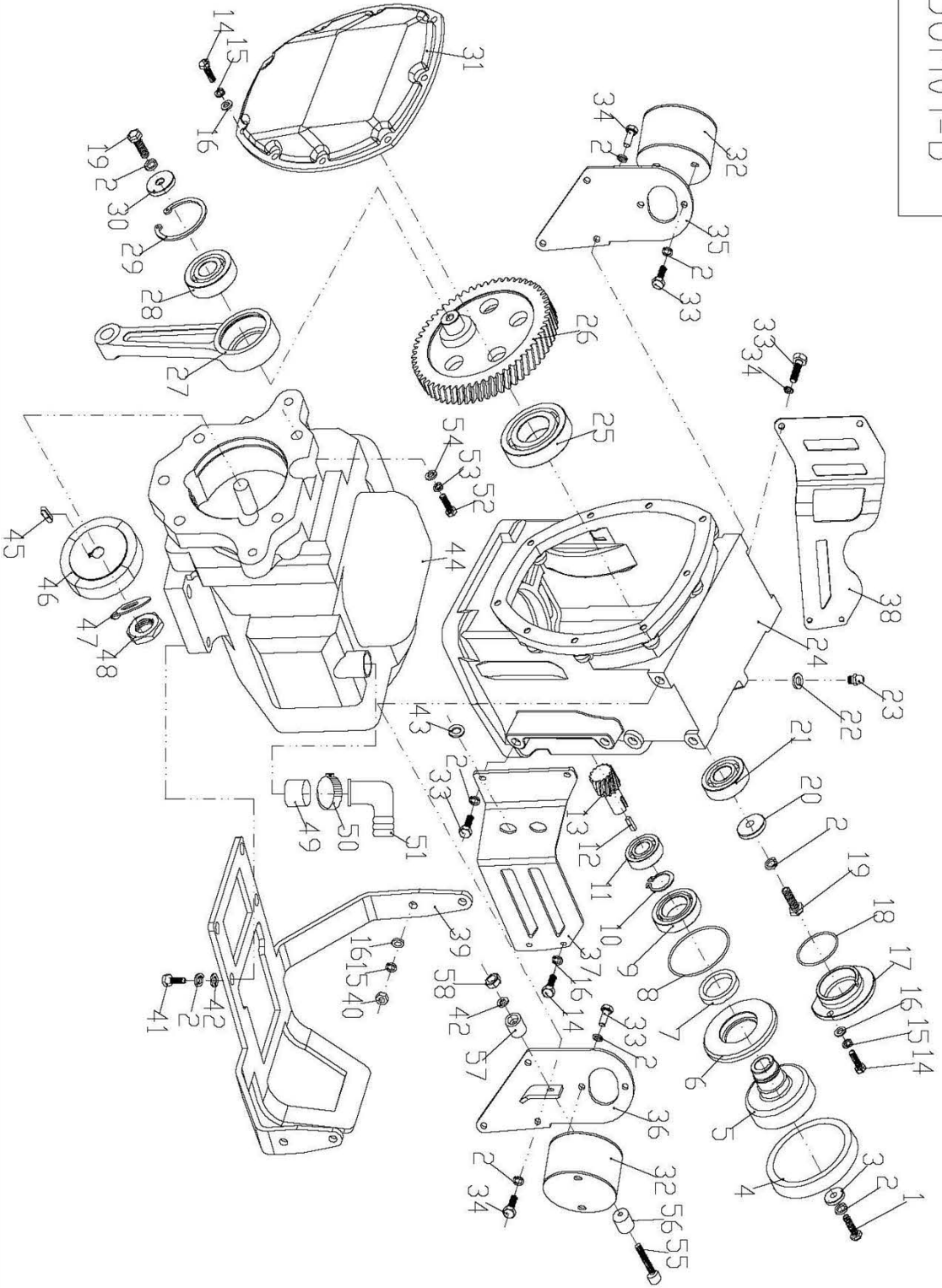
PARTS MANUAL

TAMPING RAMMER

PMR68



PMR68H-B0M01-B



PMR68-BOM01-B

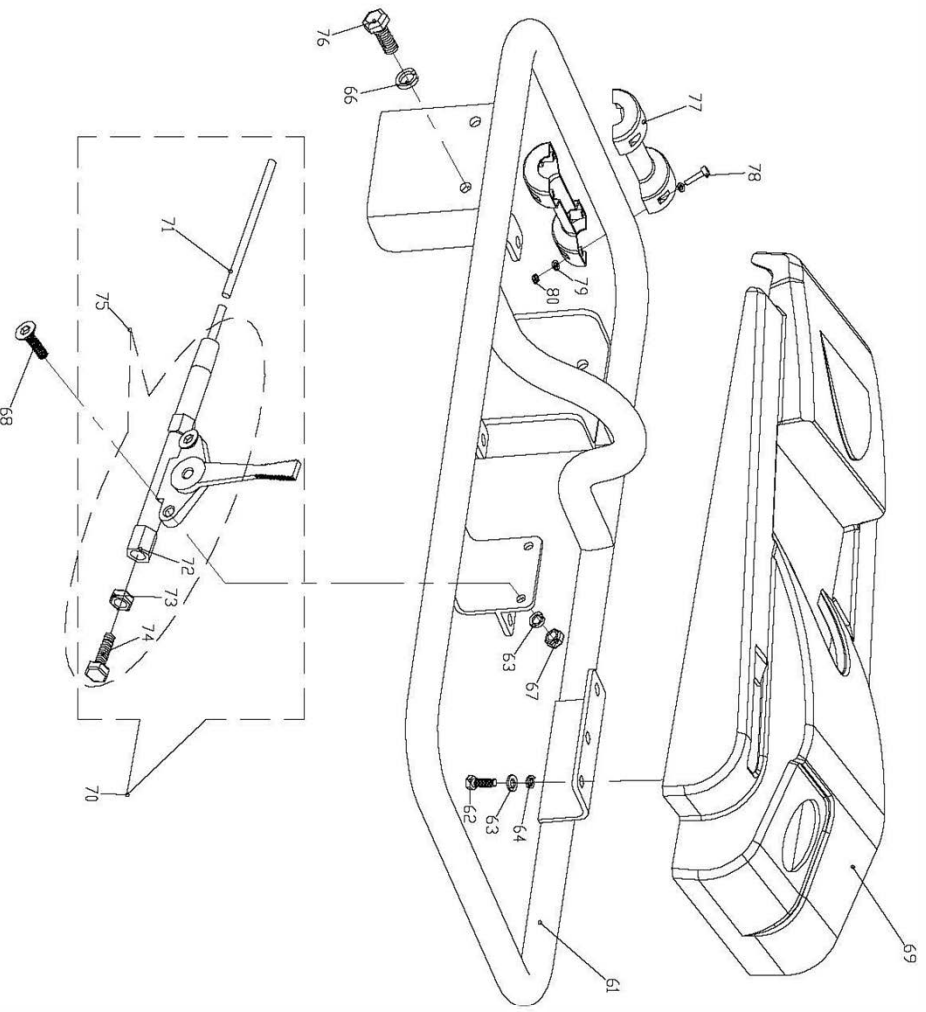
ITEM NO.	PART NO.	DESCRIPTION	ERP NO.	QTY	REMARK
1	GB5783-M8X30	BOLT M8X20-GB5783	20102105	1	
2	GB93-8	SPRING WASHER 8-GB93	20509006	21	
3	MRS80-804202	RETAINING RING	40504001	1	
4	MRS80-808001	LOCATING SLEEVE	40504070	1	ONLY FOR HONDA GX100 KRB4 ENGINE
5	MRS80-807000A	CLUTCH DRUM	40506001	1	
6	MRS80-808000C	SPACE	40501001	1	
7	GB13871-405208FB	SEAL 40X52X8-FB GB13871	21106002	1	
8	GB3452.1-95X3.1	O-RING 95X3.1-GB3452.1	21101100	1	
9	6007Z-NSK	BEARING 6007Z-NSK	21001006	1	
10	GB894.1-35	RETAINING RING 35-GB894.1	20601014	1	
11	6204-NSK	BEARING 6204-NSK	21001014	1	
12	GB1096-5X20	KEY 5X20-GB1096	20901053	1	
13	MRS80-804201B	GEAR SHAFT	40602001	1	
14	GB5783-M6X20	BOLT M6X20-GB5783	20102054	13	
15	GB93-6	WASHER 6-GB97.1	20509004	13	
16	GB97.1-6	SPRING WASHER 6-GB93	20501005	17	
17	MRS80-804004	BEARING COVER	40502001	1	
18	GB3452.1-43.7X1.8	O-RING 43.7X1.8-GB3452.1	21101004	1	
19	GB5783-M8X25	BOLT M8X25-GB5783	20102102	2	
20	MRS80-804102	RETAINING RING	40504002	1	
21	GB276-6204	BEARING 6204-GB276	21001059	1	
22	MRS62-4005-01	NYLON SPACER	40504004	1	
23	GB11152-M6	OIL CUP M6	21110001	1	
24	MRS62-4001XPA	CRANK CASE	40901015	1	ONLY FOR HONDA GX100 KR4/KRSB ENGINE
	MRS62-4001XPB	CRANK CASE	40901014	1	ONLY FOR HONDA GX100 KRB4 ENGINE
25	GB276-6207	BEARING 6207-GB276	21001062	1	
26	MRS80-804101A	CRANK GEAR	40601001	1	
27	MRS80-804301B	CONNECTING ROD	40407001	1	
28	6204-NSK	BEARING 6204-NSK	21001016	1	
29	GB893.1-52	RETAINING RING 52-GB893.1	20602008	1	
30	MRS80-804302	RETAINING RING	40504003	1	
31	MRS62-4002PA	GEAR COVER	40903017	1	MASTERPAC
	MRS62-4002-Z	GEAR COVER	40903004	1	NETRUAL
32	MRS62-6000	VIBRATION DAMPER	41201002	2	
33	GB5783-M8X20	BOLT M8X20-GB5783	20102101	8	

TO BE CONTINUED

PMR68-BOM01-B

ITEM NO.	PART NO.	DESCRIPTION	ERP NO.	QTY	REMARK
34	GB5783-M8X30	BOLT M10X30-GB5783	20102105	6	
35	MRS62-5003RGB	BRACKET, RIGHT	40207159	1	ONLY FOR HONDA GX100 KR4/KRSB ENGINE
	MRS80-5003RGB	BRACKET, RIGHT	40207022	1	ONLY FOR HONDA GX100 KRB4 ENGINE
36	MRS62-5004LGB	BRACKET, LEFT	40207158	1	ONLY FOR HONDA GX100 KR4/KRSB ENGINE
	MRS80-5003RGB	BRACKET, LEFT	40207024	1	ONLY FOR HONDA GX100 KRB4 ENGINE
37	MRS62-5104H-LCA	PROTECTIVE FRAME,LEFT	40207016	1	
38	MRS62-5104H-RC	PROTECTIVE FRAME,RIGHT	40207017	1	
39	MRS62-5105HB	PROTECTIVE FRAME,REAR	40207018	1	
40	GB889.1-M6	NUT M6	20405002	4	
41	GB5783-M8X25	BOLT M8X25-GB5783	20102102	4	
42	GB97.1-8	WASHER 8	20501007	4	
43	MRS62-9917	SLEEVE	41404001	1	Φ16
44	HONDA GX100 KRSB	ENGINE HONDA GX100 KRSB	41401009	1	
	HONDA GX100 KRB4	ENGINE HONDA GX100 KRB4	41401007	1	
45	DIN6888-4X5	KEY 4X5	20902001	1	
46	MRS80-809000B-JK	CLUTCH ASSY. (IMPORT)	50107004	1	IMPORT
47	MRS80-809006	WASHER	40504008	1	
48	GB6173-M12X1.25	NUT M12 GB6173	20407002	1	
49	MRS62-001	DUSTPROOF ELEMENT	41402004	1	ONLY FOR HONDA GX100 KRSB ENGINE
50	MRS80-000003W	HOSE CLAMP 20-32	41406012	1	ONLY FOR HONDA GX100 KRSB ENGINE
51	MRS80-000001	INTAKE PIPE	41204010	1	ONLY FOR HONDA GX100 KRSB ENGINE
52	GB5783-M8X40	BOLT M8X40-GB5783	20102107	4	
	GB5783-M10X40	BOLT M10X40-GB5783	20102156	4	ONLY FOR HONDA GX100 KRB4 ENGINE
53	GB93-8	SPRING WASHER 8-GB93	20509006	4	
	GB93-10	SPRING WASHER 10-GB93	20509008	4	ONLY FOR HONDA GX100 KRB4 ENGINE
54	GB97.1-8	WASHER 8-GB97.1	20501007	4	
	GB97.1-10	WASHER 10-GB97.1	20501009	4	ONLY FOR HONDA GX100 KRB4 ENGINE
55	GB70.1-M8×45	HEX BOLT M8X45	20306107	2	ONLY FOR HONDA GX100 KR4/KRSB ENGINE
	GB70.1-M8×55	HEX BOLT M8X55	20306109	2	ONLY FOR HONDA GX100 KRB4 ENGINE
56	MRS62-5106	STOPPED PILLAR	40406040	2	ONLY FOR HONDA GX100 KR4/KRSB ENGINE
	MRS62-5106	STOPPED PILLAR	40406040	4	ONLY FOR HONDA GX100 KRB4 ENGINE
57	MRS62-5107	STOPPED PILLAR	40406039	2	ONLY FOR HONDA GX100 KR4/KRSB ENGINE
58	GB6170-M8	NUT M8	20401004	2	

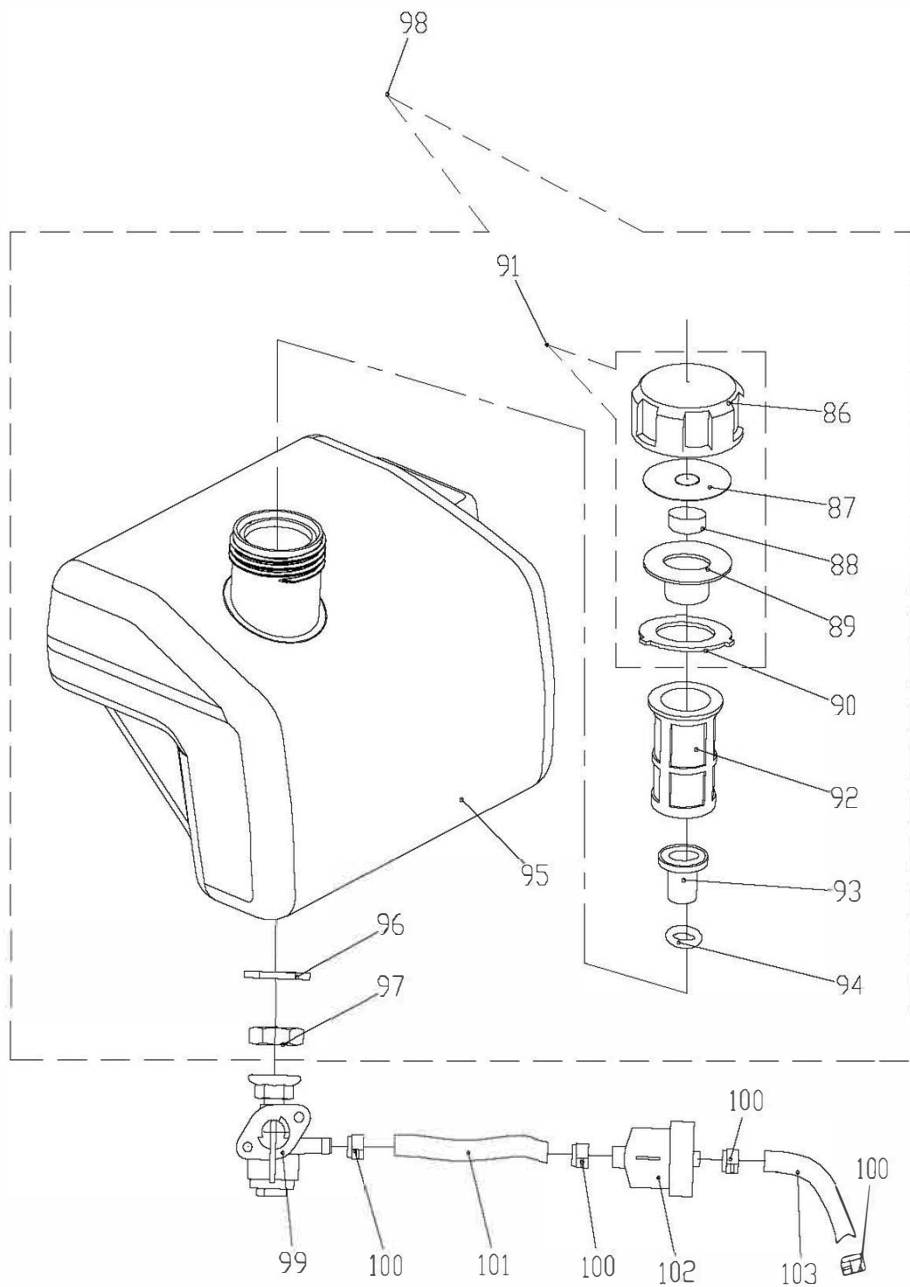
PMR68 - BOM02-B



PMR68-BOM02-B

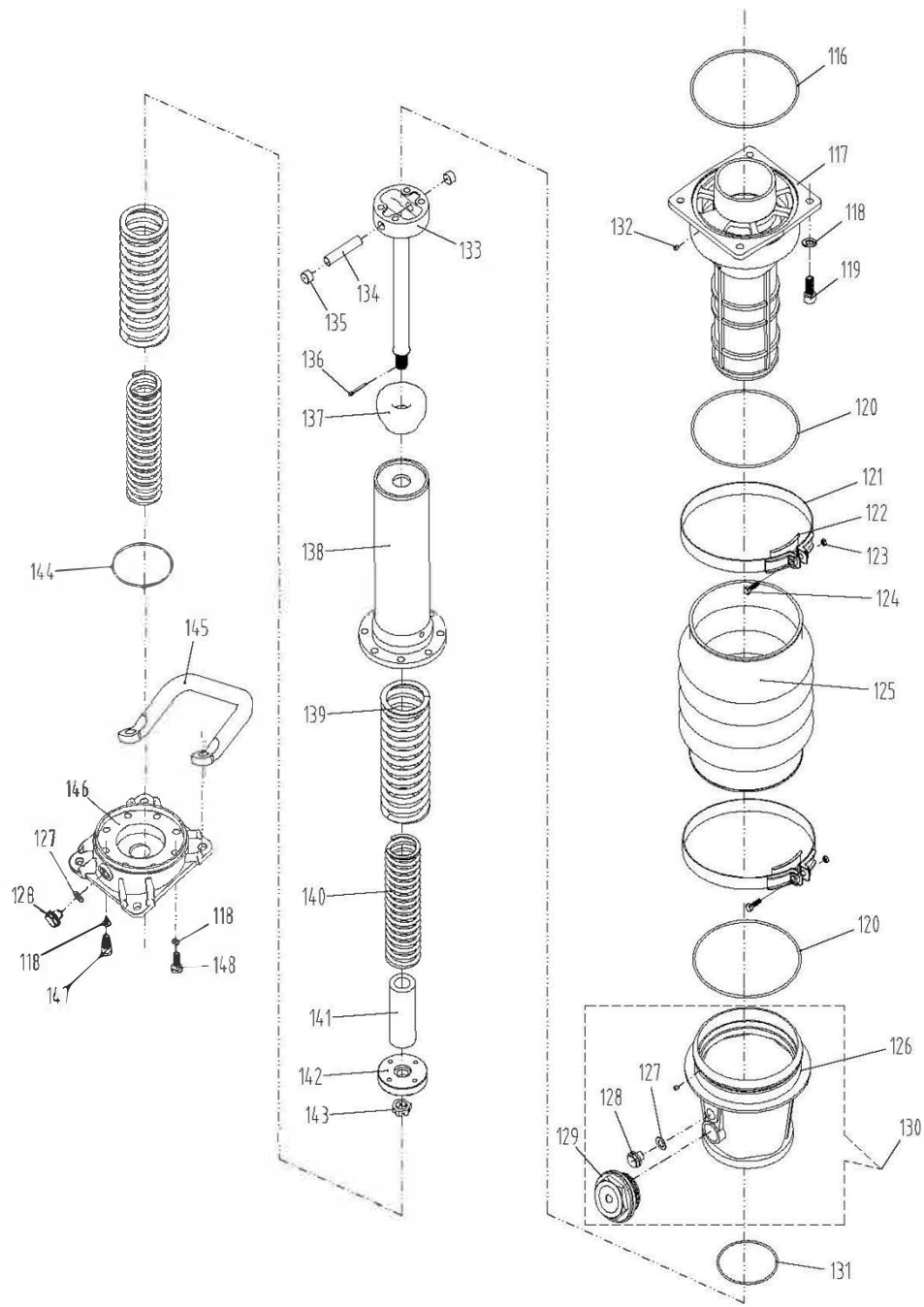
ITEM NO.	PART NO.	DESCRIPTION	ERP NO.	QTY	REMARK
61	MRS62-5001GB	HANDLE ASSY	50107001	1	
62	GB5783-M6X16	BOLT M6X16 GB5783	20102053	8	
63	GB93-6	SPRING WASHER 6	20509004	10	
64	GB97.1-6	WASHER 6	20501005	8	
66	GB93-8	SPRING WASHER 8	20509006	4	
67	GB6170-M6	NUT M6 GB6170	20401003	2	
68	GB70.3-M6X16	BOLT M6X16 GB70.3	20308051	2	
69	MRS62-5000A	TOP COVER	41205006	1	
70	MRS62-9910A	THROTTLE CONTROL ASSY	41403004	1	70 (71, 75)
71	MRS62-9910A-03W	THROTTLE WIRE	40101029	1	
72	MRS80-9910A-02W	THROTTLE CONTROL HANDLE	21302011	1	
73	GB6170-M6	NUT M6 GB6170	20401003	1	
74	GB5783-M6X30	BOLT M6X30	20102056	1	
75	MRS80-9910A-01W	THROTTLE CONTROL HANDLE COMPONENTS.	50101013	1	75 (72-74)
76	GB5783-M8X20	BOLT M8X20 GB5783	20102101	4	
77	MRS80-805011	IDLER WHEEL	41201043	2	ONLY FOR HONDA GX100 KR4/KRSB ENGINE
78	GB/T700-M5X16	BOLT M5X16 GB97.1	20306004	4	ONLY FOR HONDA GX100 KR4/KRSB ENGINE
79	GB97.1-5	SPRING WASHER 5 GB97.1	20501003	4	ONLY FOR HONDA GX100 KR4/KRSB ENGINE
80	GB889.1-M5	NUT M5 GB889.1	20405004	4	ONLY FOR HONDA GX100 KR4/KRSB ENGINE

PMR68-BOM03-B



PMR68-BOM03-B

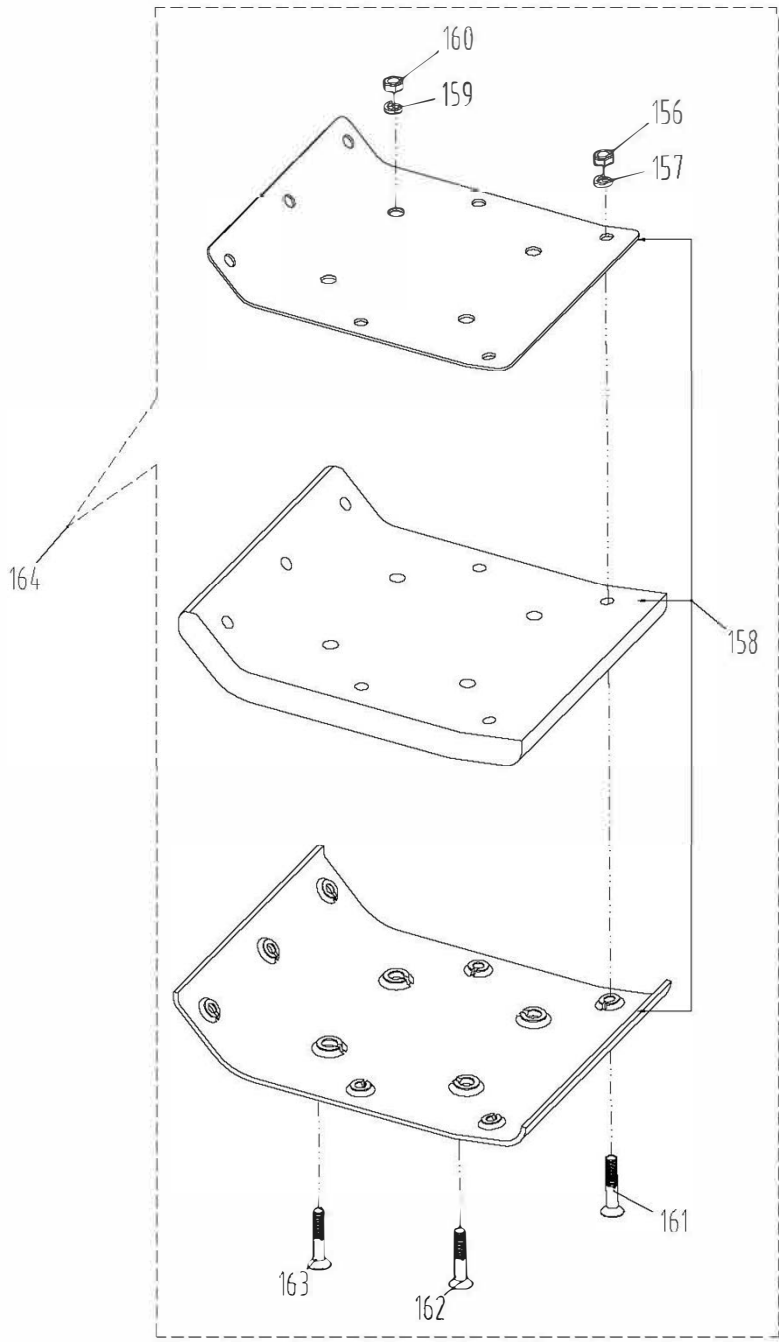
ITEM NO.	PART NO.	DESCRIPTION	ERP NO.	QTY	REMARK
86	MRS80-801002	TANK CAP	40903048	1	
87	MRS80-801003	PACKING, FUEL TANK	41201066	1	
88	MRS80-801008W	ELEMENT	41402003	1	
89	MRS80-801004	HOLDER, COCK	41201067	1	
90	MRS80-801005	PACKING, FUEL TANK	41201065	1	
91	MRS80-801002W	TANK CAP ASSY	40903001	1	91 (86~90)
92	MRS80-801007A	OIL STRAINER	41402007	1	
93	MRS80-801006	CONNECTOR	41101001	1	
94	GB3452.1-14X3.55	O-RING 14X3.55-GB3452.1	21101150	1	
95	MRS62-1001	TANK	41206002	1	
96	GB97.1-14	WASHER 14-GB97.1	20501012	1	
97	GB6173-M14X1.5	NUT M14X1.5-GB6173	20407003	1	
98	MRS62-1000-01W	TANK COMPONENTS	50207002	1	98 (91~97)
99	MRS80-801009W	FUEL COCK	41403001	1	
100	MRS80-801011W	HOSE CLAMP	41406003	4	
101	MRS80-801300W	FUEL HOSE	41001116	1	ONLY FOR HONDA GX100 KRB4 ENGINE
	MRS80-801100W	FUEL HOSE	41001112	1	ONLY FOR HONDA GX100 KR4/KRSB ENGINE
102	MRS80-801010W	OIL STRAINER	41402006	1	ONLY FOR HONDA GX100 KR4/KRSB ENGINE
103	MRS80-801200W	FUEL HOSE	41001113	1	ONLY FOR HONDA GX100 KR4/KRSB ENGINE



PMR68-BOM03-B

ITEM NO.	PART NO.	DESCRIPTION	ERP NO.	QTY	REMARK
116	GB3452.1-160x5.3	O-RING 160X5.3-GB3452.1	21101200	1	
117	MRS80-803201B	GUIDE CYLINDER	40505001	1	
118	GB93-10	SPRING WASHER 10-GB93	20509008	12	
119	GB5783-M10X35	BOLT M10X35-GB5783	20102155	4	
120	GB3452.1-160x3.55	O-RING 160X3.55-GB3452.1	21101153	2	
121	MRS80-803204D	BELLOW CLAMP	40101001	2	
122	MRS62-3204C-04	SCALEBOARD	40102001	2	
123	GB6170-M8	NUT M8 GB6170	20401004	2	
124	GB5783-M8X40	BOLT M8X40-GB5783	20102107	2	
125	MRS80-803203	BELLOW	41205003	1	
126	MRS80-803111E	PROTECTION SLEEVE	40505002	1	
127	JB89-14	COPPER WASHER 14	21105004	1	
128	MRS80.GZ01	PLUG M14X1.5	40401001	1	
129	GB1160.2-M24x1.5	LEVEL GAUGE M24X1.5-GB1160.2	21110002	1	
130	MRS80-803112W	PROTECTION SLEEVE COMPONENTS	50201012	1	130 (126~129)
131	GB3452.1-95x2.65	O-RING 95X2.65-GB3452.1	21101055	1	
132	MRS80-803202	PIN	40402001	2	
133	MRS80-803301A	PISTON ROD	40406001	1	
134	MRS80-803302	PISTON PIN	40402002	1	
135	MRS80-803306	PISTON END CAP	41201038	2	
136	GB91-3.2x36	PIN 3.2X36 GB91	20805050	1	
137	MRS80-803304	STOPPER, UPPER	41202001	1	
138	MRS80-803102A	SPRING CYLINDER	40505004	1	
139	MRS80-803001D	SPRING, OUTER	40103002	2	
140	MRS80-803002D2	SPRING, INNER	40103001	2	
141	MRS80-803305	STOPPER, LOWER	41201040	1	
142	MRS80-803303A	PISTON END	40705001	1	
143	GB6178-M18x1.5	NUT M18X1.5-GB6178	20410001	1	
144	GB3452.1-87.5x3.55	O-RING 87.5X3.55-GB3452.1	21101152	1	
145	MRS80-802006B	LIFTING HOOK	41003002	1	
146	MRS80-803101D	FOOT PLATE	40804001	1	
147	GB70.1-M10x20	BOLT M10X20-GB70	20306150	4	
148	GB70.1-M10x40	BOLT M10X40-GB70	20306158	4	

PMR68-BOM04-A



PMR68-BOM04-A

ITEM NO.	PART NO.	DESCRIPTION	ERP NO.	QTY	REMARK
156	GB889.1-M10	HEXAGONAL NUT M10-GB889	20405006	7	
157	GB93-10	SPRING WASHER 10-GB93	20509008	7	
158	MRS80-802000-1	FOOT COMPONENTS	50201013	1	
159	GB93-12	SPRING WASHER 12-GB93	20509009	4	
160	GB889.1-M12	HEXAGONAL NUT M12-GB889	20405007	4	
161	MRS80-802005	SCREW M10X52	20103001	7	
162	MRS80-802004-70	SCREW M12X70	20103002	2	
163	MRS80-802004-75	SCREW M12X75	20103003	2	
164	MRS80-802000	FOOT ASSY.	50201009	1	164(156~163)



Tomahawk Power, LLC

402 W Broadway Suite 810

San Diego, CA 92119

Tel. (866) 577-4476

E-mail. contacto@tomahawk-power.com

www.tomahawk-power.com