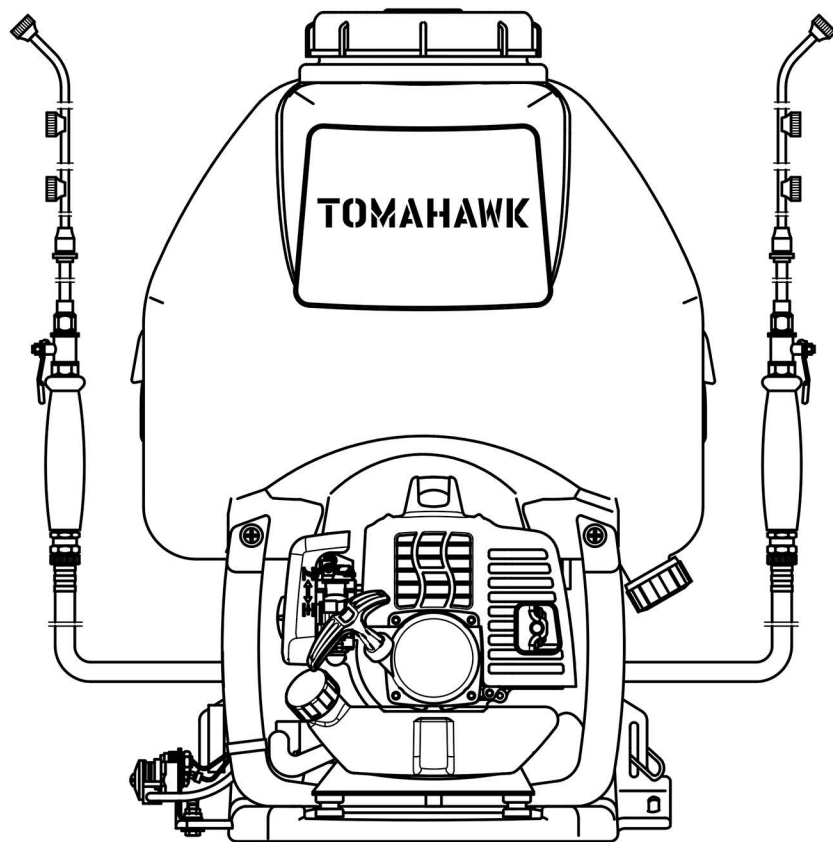




Backpack Sprayer

Assembly Manual

TPS25



www.tomahawk-power.com

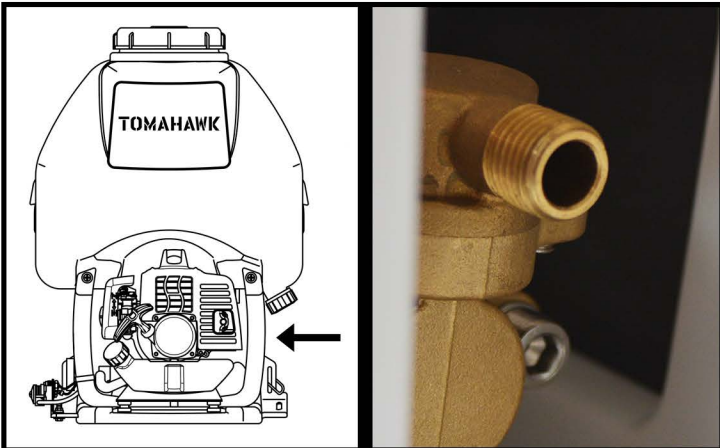
Backpack Sprayer Wand Assembly Manual



1 Remove all parts from the box.
(You may not need all pieces for assembly).



2 Place the washer inside the Y connection fitting.



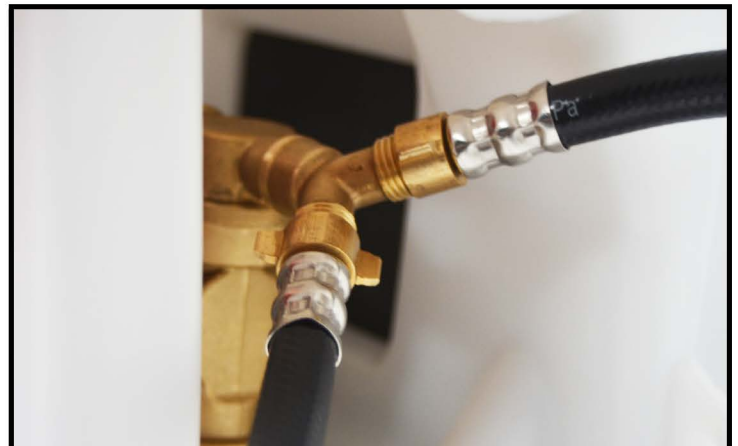
3 Locate the opening of the pump.
(Found to the right, behind the engine).



4 Fasten the Y connection fitting clockwise around the opening of the pump, until secure.



5 Fasten one hose (clockwise) around one side of the Y connection fitting.



6 Fasten the 2nd hose (clockwise) around the other side of the Y connection fitting.

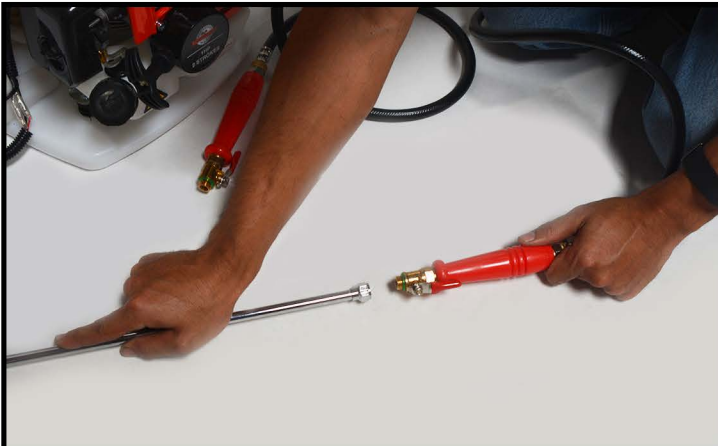
Backpack Sprayer Wand Assembly Manual



7 Find the 4 parts above to begin assembling the dual wands.



8 Fasten the bottom end of each wand to the top (curved) end.



9 Attach each wand to the valved end of the sprayer hoses.



10 To attach the backpack straps, slip the strap's end underneath the back bar.



11 Feed the strap's end through the buckle.



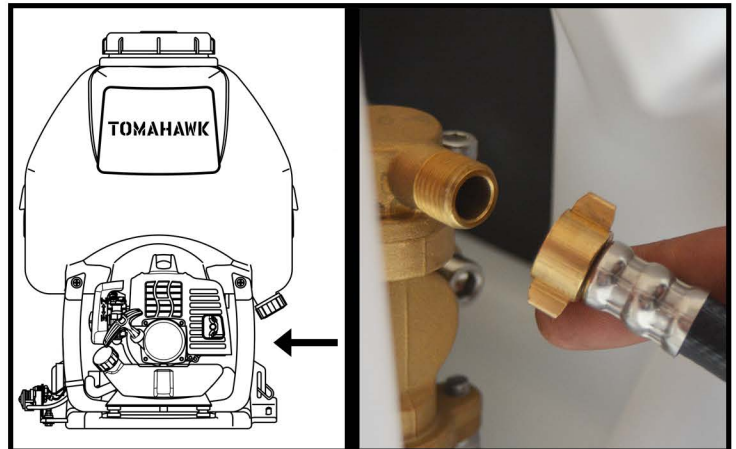
12 Cinch tightly and repeat for the 2nd strap. Your sprayer is now assembled.

Backpack Sprayer

Attachment Assembly Manual



1 Remove all parts from the box.
(You will not need all pieces for assembly).



2 Attach 1 hose directly to the sprayer's pump.
Twist clockwise.



3 Fasten the sprayer attachment to the valved end of the hose.



4 To attach the backpack straps, slip the strap's end underneath the back bar.



5 Feed the strap's end through the buckle.
Cinch tightly and repeat for the 2nd strap.



6 Your backpack sprayer is now ready for work.

* This manual may be used for Tomahawk Power fogger, foundation, conical, and mist gun attachments.