

TPC90H

**FORWARD PLATE
COMPACTOR**

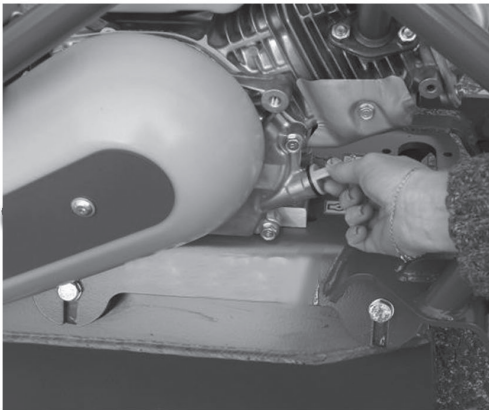
Operation and Instruction Manual

Read carefully this operation manual before starting the machine and always keep the instruction - this way you will secure safe operation, high working output and long durability of the machine. The manufacturer bears no responsibility for damages arising from mis use or not following the operation manual.

QUICK START INSTRUCTIONS

1. Unpack Compactor onto a level surface
2. Fuel the Engine (Honda) with 87 Octane + and SAE 10W-30 Oil
3. Open the fuel valve on the Honda engine and move the choke to the choke (cold start) position
4. Make sure the engine switch is in the "ON" position
5. Pull the recoil cord and move the choke to the "RUN" position
6. Move the throttle all the way forward to run the

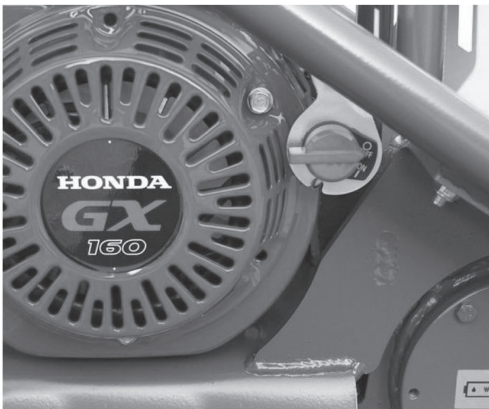
1



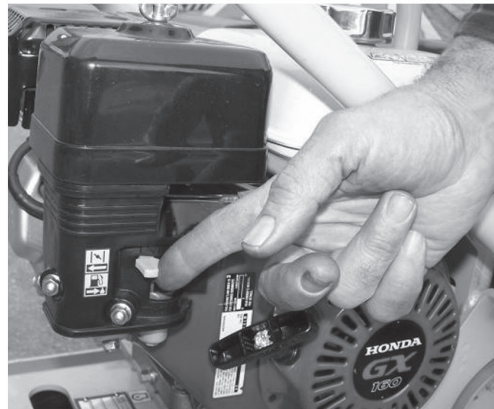
2



3



4



5



TABLE OF CONTENTS

0. QUICK START INSTRUCTIONS	2
1. SAFETY INFORMATION	4
1.1 Safety Precautions	4
1.2 Operating Safety	5
1.3 Operator Safety while using Internal Combustion Engines	7
1.4 Label Locations	8
1.5 Safety and Operating Labels	8
2. OPERATION	10
2.1 Operating Principle	10
2.2 Delivery Checks	10
2.3 Before Starting	10
2.4 To Start	11
2.5 To Stop	12
2.6 Application	12
2.7 Operation	12
2.8 Max. Admissible Inclination	12
2.9 Main Parts and Accessories	13
3. MAINTENANCE	14
3.1 Periodic Maintenance Schedule	14
3.2 Exciter Oil	14
3.3 V-Belt and Clutch	15
3.3.1 Checking the V-Belt	15
3.3.2 Replacing the V-Belt	15
3.3.3 Checking the Clutch	15
3.4 Air Cleaner	16
3.5 Spark Plug	16
3.6 Transport	16
3.7 Troubleshooting	17
4. TECHNICAL DATA	19
5. WARRANTY	20
6. MAINTENANCE RECORDS	21
7. SPARE PARTS MANUAL	23

This manual provides information and procedures to safely operate and maintain this model. For your own safety and protection from injury, carefully read, understand and observe the safety instructions described in this manual.


Keep this manual or a copy of it with the machine. If you lose this manual or need an additional copy, please contact Tomahawk Power LLC or visit www.tomahawk-power.com. This machine is built with user safety in mind; however, it can present hazards if improperly operated and serviced. Follow operating instructions carefully. If you have questions about operating or servicing this equipment, please contact Tomahawk Power or your dealer.

The information contained in this manual is based on machines in production at the time of publication. Tomahawk Power reserves the right to change any portion of this information without notice. No part of this publication may be reproduced in any form or by any means, electronic or mechanical, including photocopying, without express written permission from Tomahawk Power.


Any type of reproduction or distribution not authorized by Tomahawk Power represents an infringement of valid copyrights and will be prosecuted. We expressly reserve the right to make technical modifications, even without due notice, which aim at improving our machines or their safety standards.


1. SAFETY INFORMATION


1.1 Safety Precautions

 This is the safety alert symbol. It is used to alert you to potential personal injury hazards. Obey all safety messages that follow this symbol to avoid possible injury or death.

 DANGER indicates an imminently hazardous situation which, if not avoided, will result in death or serious injury.

 WARNING indicates a potentially hazardous situation which, if not avoided, could result in death or serious injury.

 CAUTION indicates a potentially hazardous situation which, if not avoided, may result in minor or moderate injury.

 CAUTION: Used without the safety alert symbol, CAUTION indicates a potentially hazardous situation which, if not avoided, may result in property damage.

1.2 Operating Safety

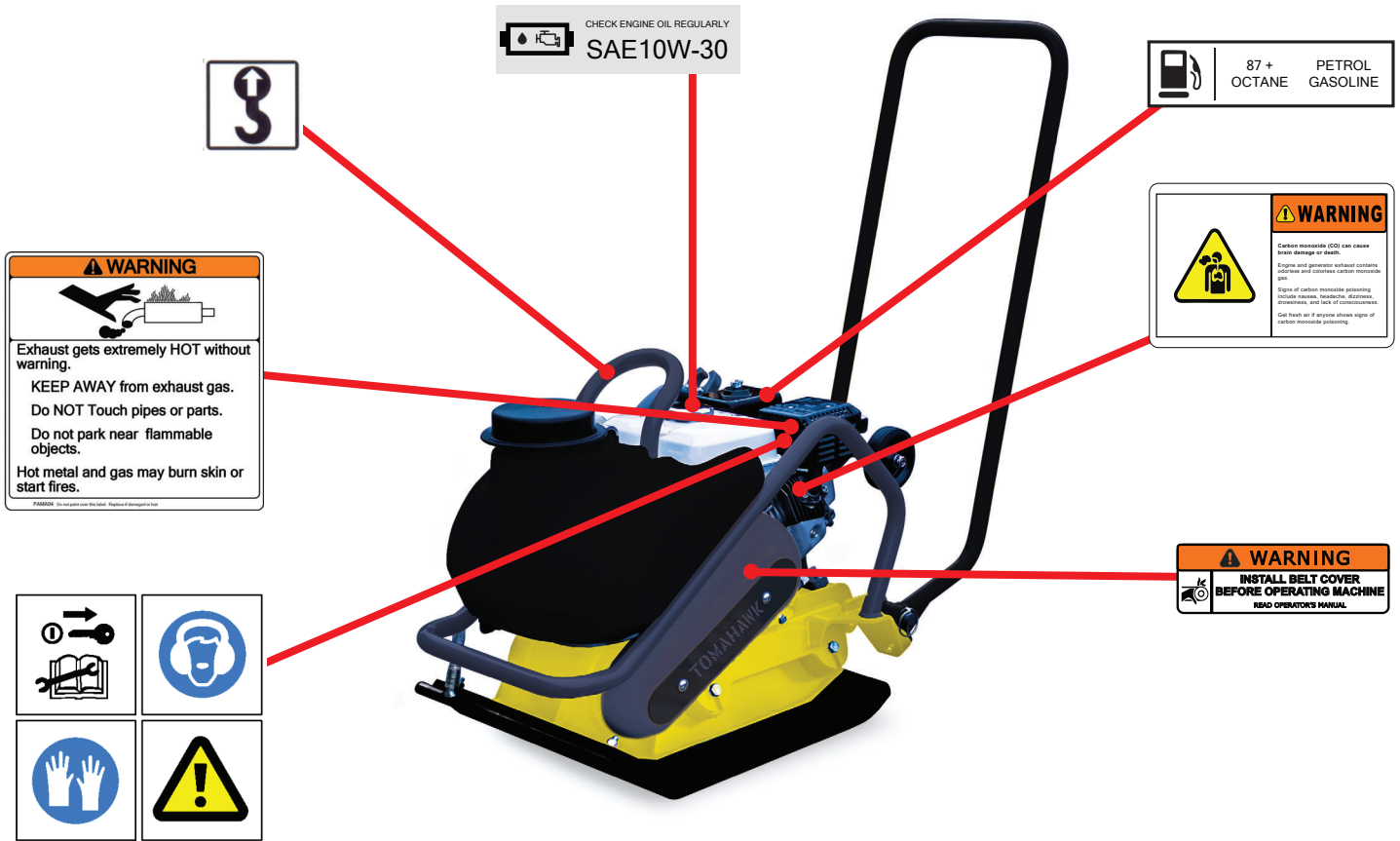
- Beware of uneven or slippery work surfaces, as they may cause injury or death.
- Exercise care when working in the vicinity of unprotected holes or excavations.
- NEVER allow any person to operate the machine without adequate instruction.
- NEVER allow any person to operate the machine without adequate instruction.
- ENSURE all operators read, understand and follow the operation instructions.
- Serious injury could result from improper or careless use of the machine.
- Plate compactors are heavy units and should be positioned by two people with appropriate strength, using the side handles provided with the machine, use proper lifting techniques by lifting with your legs not your back.
- Plate Compactor may only be used for compaction and asphalt jobs.
- DO NOT operate the machine unless all protective guards are in place.
- ENSURE that the engine switch is in the OFF position and the spark plug ignition lead is disconnected before removing the guards or making adjustments.
- ENSURE both the machine and the operator are stable by setting up on level terrain so that the machine will not tip over, slide or fall while in operation or unattended.
- DO NOT leave the machine in operation (ON), while it is unattended.
- ENSURE that the walls of a trench are stable and will not collapse due to the action of the vibration, prior to commencing compaction.
- ENSURE that the area to be compacted does not contain any "live" electrical cables, gas, water or communication services which may be damaged by the action of vibration.
- EXERCISE CARE when operating unit. Exposure to vibration or repetitive work actions may be harmful to hands and arms.
- NEVER stand on the machine while it is operating.
- DO NOT increase the governed no-load motor speed above 3,500 r/min. Any increase may result in personal injury and damage to the machine.
- Be careful and DO NOT come in contact with the muffler when the engine is hot, as it can cause severe burns.
- ENSURE that the repairs to the engine and machine are carried out by competent workers.

- DO NOT use the machine near flammable material or in explosive environments.
- Gasoline is extremely flammable and explosive under certain conditions.
- ENSURE that the Gasoline is only stored in an approved storage container.
- DO NOT refuel the engine while it is in operation or hot.
- DO NOT operate or refuel the engine in a confined area without adequate ventilation.
- DO NOT refuel the engine in the vicinity of sparks, a naked flame or smoking.
- DO NOT overfill the fuel tank and avoid spilling gasoline when refueling. Spilled gasoline or gasoline vapor may ignite. If spillage occurs, ensure that the area is dry before starting the motor.
- ENSURE that the fuel tank cap is securely fitted after refueling.
- DO NOT operate or refuel a Gasoline motor in a confined area without adequate ventilation.
- Carbon monoxide exhaust gases from engine driven units can cause death in confined spaces.
- EXCESSIVE NOISE can lead to temporary or permanent loss of hearing.
- WEAR an approved hearing protection device to limit noise exposure. As required by Occupational Health and Safety regulations.
- ALWAYS wear an approved hearing protection when working in a confined work space. Protective goggles and a dust mask should be worn when working in a dusty environment. Protective clothing and footwear may also be desirable when working with hot mix bitumen.
- Store the machine properly in a clean, dry place.

1.3 Operator Safety while using Internal Combustion Engines

- DO NOT smoke when refueling the engine or operating the machine.
- DO NOT refuel a hot or running engine.
- ALWAYS keep away from all hot or spark-generating objects when refueling the engine.
- ALWAYS refill the fuel tank until the machine has cooled, and in a well-ventilated environment.
- DO NOT spill fuel when refueling the engine.
- ALWAYS take care to use the right type of fuel.
- ALWAYS inspect the fuel leakage regularly.
- NEVER perform any work on the machine while it is running. Before working on it, stop the engine and disconnect the spark plug wire to prevent accidental starting.
- Avoid prolonged breathing of exhaust gases.
- ALWAYS transport and handle fuel only when contained in approved safety containers
- ALWAYS keep the area around the muffler free of debris such as leaves, paper, cartons, etc. A hot muffler could ignite the debris and start a fire.
- NEVER run the engine without the air filter.

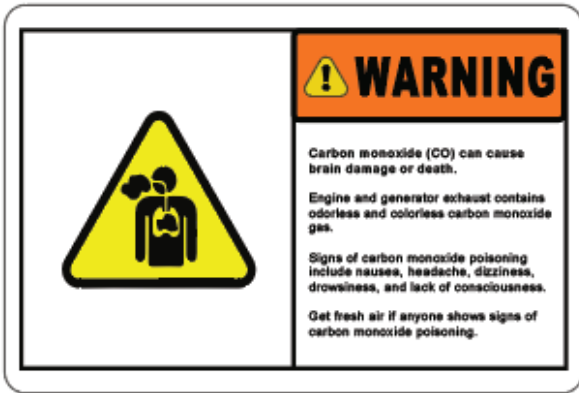
1.4 Label Locations



1.5 Safety and Operating Labels

Tomahawk Power's machines use international warning labels where needed. These labels are described next:

<p>WARNING INSTALL BELT COVER BEFORE OPERATING MACHINE READ OPERATOR'S MANUAL</p>	<p>WARNING</p> <p>Injuries to hand may be caused if caught in moving belt. Always replace belt guard.</p>
<p>87 + OCTANE PETROL GASOLINE</p>	<p>NOTICE</p> <p>Only use 87 Octane or higher gasoline.</p>



WARNING

Engine emits carbon monoxide; operate only in well-ventilated areas. Read the Operator's Manual for machine information. No sparks, flames, or burning objects near the machine. Shut off the engine before refueling. Use only clean, filtered, unleaded gasoline.



NOTICE

Follow the Maintenance Schedule included in the Operations Manual to check engine oil regularly.



WARNING

Hot surface!



CAUTION

Lifting point



CAUTION

Read Operations Manual when operating equipment
 Use hearing protection when using equipment
 Use protective gloves when using equipment

2. OPERATION

2.1 Operating Principle

The following instructions were compiled to provide you information on how to obtain long and trouble-free use of the unit. Periodic maintenance of this unit is essential. Read the manual in its entirety and follow the instructions carefully. Failure to do so may injure yourself or a bystander.

2.2 Delivery Checks

Immediately on taking delivery of your new equipment and before putting it into service.

- Read the operation manual completely—it could save a great deal of time.
- Read the engine manual supplied.
- Check engine oil level.
- Check fuel levels.

Recommended lubricants are detailed in the Care and Maintenance section.

2.3 Before Starting

The following pre-start-up inspection must be performed before the start of each work session or every four hours of use, whichever is first. If any issue is discovered, the compactor must not be used until the issue is fixed.

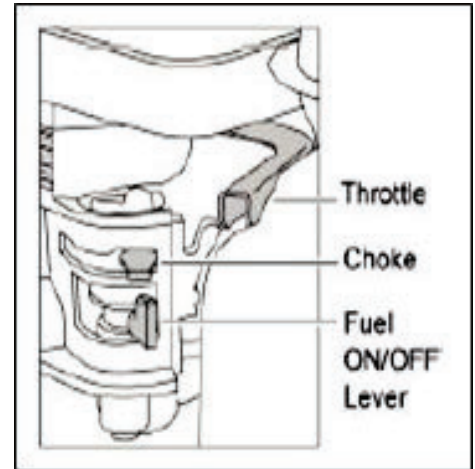
1. Thoroughly inspect the compactor for signs of damage. Make sure all components are present and secure. Pay special attention to the belt drive safety guard fitted between the engine and the vibrator unit.
2. Check the engine oil and fuel levels and top off as necessary. Add a minimum of unleaded 87 octane gasoline and SAE10-30 Oil to the Honda Engine.
3. Check for fuel and oil leaks

NOTICE: Check the oil level in the engine and exciter. Engine and compactor warranties are VOID if this unit is run without oil. Note: the Honda engine is built with a low oil sensor switch if the oil level is not adequate the engine may not start. Before using each time check the oil level.

2.4 To Start

1. Open the fuel cap by moving the fuel ON/OFF lever fully to the right.
2. If starting the engine from cold, set the choke to ON by moving the choke lever fully to the left. If restarting a warm engine, the choke is usually not required.

However, if the engine has cooled to a degree, partial choke may be required.



3. Turn the engine's ON/OFF switch clockwise to the "ON" position.
4. Set the throttle to the idle position by moving the throttle lever fully to the right. Do not start the engine on full throttle, as the compactor will vibrate as soon as the engine starts.
5. Taking a firm hold of the control handle with one hand, grasp the recoil starter handle with the other. Pull the recoil starter until engine resistance is felt, then let starter return.
6. Taking care not to pull the starter's cord fully out, pull the starter handle briskly.
7. Repeat until the engine fires.
8. Once the engine fires gradually, set the choke lever to the OFF position by moving it to the right.
9. If the engine fails to fire after several attempts, recheck fuel level to make sure they are adequate and then refer to trouble-shooting guide.
10. To stop the engine, set the throttle to idle and turn the engine ON /OFF switch counter-clockwise to the "OFF" position.
11. Turn the fuel valve off.

2.5 To Stop

1. Move the throttle lever to "Idle" position.
2. Turn the Red On/Off switch to "Off" position.
3. Close the fuel valve.

2.6 Applications

Trench Compaction	Groundwork
Road Maintenance	Landscaping
Brick Paving	Asphalt Compaction

2.7 Operation

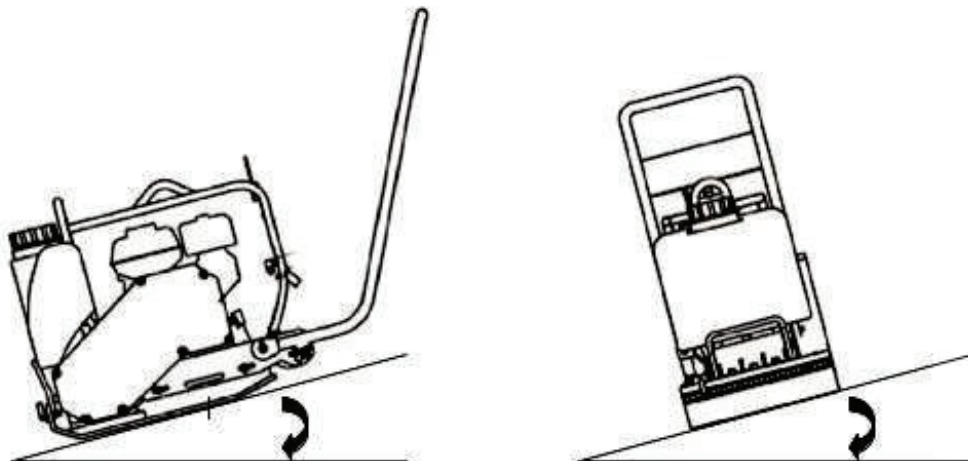
Run the engine at full throttle and allow plate to pull itself along at its normal speed. When operating it may be necessary to assist plate by pushing it forward slightly. Depending on the material being compacted, three or four passes are recommended to achieve the best compaction.

The machine is best suited for the compaction of bituminous and granular materials e.g. granular soils such as silt and clay are best compacted using the impact force produced by a vibrating plate. Where possible the site should be graded and leveled before compaction.

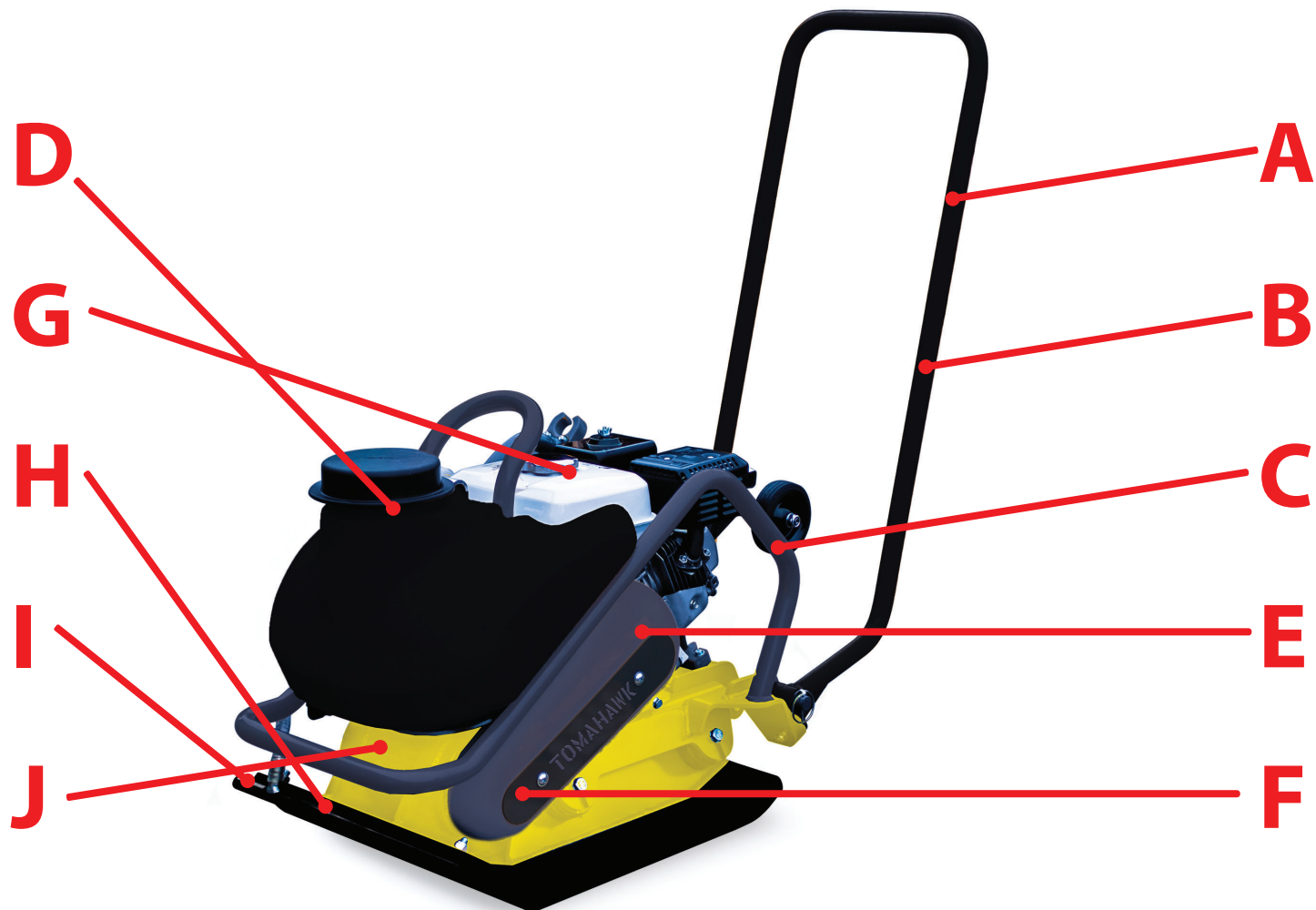
Correct moisture content in soil also is vital to proper compaction. Water acts as a lubricant to help slide soil particles together. Too little moisture means inadequate compaction; too much moisture leaves water-filled voids that weaken the soil's load-bearing ability. Compaction of dry materials will be facilitated by moistening with a water hose fitted with a sprinkler or simply by using the water tank provided. Excessive watering or water content will cause the machine to stall.

The optional water tank kit is recommended when the machine is used on bituminous surfaces as the water film prevents a build up of material on the underside of the plate.

2.8 Maximum Admissible Inclination



2.9 Main Parts and Accessories



A. Handle

B. Throttle Lever

C. Protective Frame

D. Water Tank (Optional)

E. Belt Cover

F. Belt

G. Clutch

H. Rubber Mat (Optional)

I. Base Plate

J. Exciter

3. MAINTENANCE

3.1 Periodic Maintenance Schedule

	Daily	After First 20 Hours	Every 50 Hours	Every 100 Hours	Every 200 Hours
Starting Check	●				
Loosened or Lost Screws	●				
Damaged to Parts	●				
Control System Functioning	●				
Exciter Oil Check				●	
Exciter Oil Replacement					●
V-Belt (Clutch) Check					●
Leakage of Oil Fuel	●				
Tightness of Fastening Threads	●				
Engine Oil Check and Replenishment	●				
Engine Oil Replenishment		●		●	
Air Filter Cleaning			●		



These inspection intervals are meant for operation under normal conditions.

Adjust your inspection intervals based on the number of hours your plate compactor is in use, and particular working conditions.

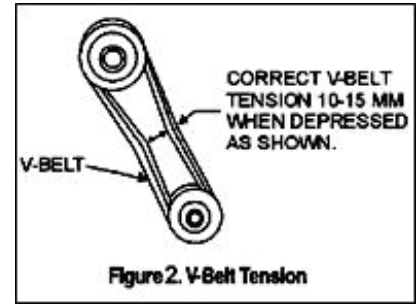
3.2 Exciter Oil

When changing the exciter oil, place the exciter on a flat, horizontal surface, remove the drain plug located at the bottom-right of the vibrator, and simply tip the compactor to drain the oil. Note that the oil will drain more easily while it is hot. DO NOT pour in too much oil.

3.3 V-Belt and Clutch

3.3.1 Checking the V-Belt

After 200 hours of operation, remove the upper belt cover to check the V-belt tension (Figure 2). Tension is best if the belt bends about 0.4 in when depressed firmly with finger between grooves. Loose or worn V-belts reduce power transmission efficiency, causing weak compaction, reducing the life of the belt itself.



NEVER attempt to check the V-belt while the engine is running. Severe injury can occur if your hand is caught between the V-belt and the clutch. Always use safety gloves, while the engine is ON.

3.3.2 Replacing the V-Belt

Remove the belt covers. Use an o set wrench (13mm) or the like on the vibrator pulley (lower) fastening bolt. Utilize a waste cloth or the like at midway of V-belt on the le side and while pulling it back strongly, rotate the o set wrench clockwise so that the V-belt is removed.

3.3.3 Checking the Clutch

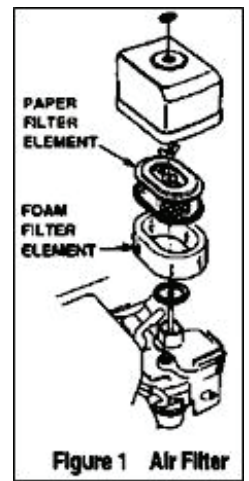
Check the clutch simultaneously with V-belt. With the belt removed, check the outer drum of the clutch for seizure and "V" groove for wear or damage. Clean the "V" groove as necessary. Wear of the lining or shoe should be checked with running check. If the shoe is worn, power transmission becomes deficient and slipping will result.



Whenever the compactor's vibration becomes weak during normal operation (regardless of operation hours), check the V-belt and clutch immediately.


3.4 Air Filter

1. The air filter element should be cleaned as a clogged air filter can cause poor engine starting, lack of power, and shortened engine life.
2. To clean or replace the air filter, loosen the wing nut on the air filter housing (Figure 1), remove the cover and take out air filter cartridge. If only cleaning of the air filter is needed, blow through the air filter cartridge from the inside, with a jet of dry compressed air, up and down until all dust is removed.



3.5 Spark Plug

Check and clean spark plug's regularly. A fouled, dirty spark plug may cause hard starting and poor engine performance. Set the spark plug gap to recommended clearance. Refer to engine manual.

 The muffler and engine cylinder become very hot during operation and remain hot for a while after stopping the engine. Allow engine to cool before removing spark plug.

NOTICE: A loose spark plug can become very hot and may cause engine damage.

3.6 Transport Wheels

1. Always shut off engine when transporting the machine.
2. Make sure the lifting device has enough capacity to hold the machine (see nameplate on machine for weight).
3. Use lifting hook when lifting the machine.
4. The optional wheel kit is used for transporting short distances.

3.7 Troubleshooting

3.7.1 Machine Troubleshooting

SYMPTOM	POSSIBLE CAUSES	SOLUTION
Travel speed too low, and the vibration is weak.	Engine speed too slow?	Set engine speed to correct RPM.
	Clutch slips?	Check or replace clutch.
	V-belt slips?	Adjust or replace V-belt.
	Excessive oil in vibration?	Drain excess oil and fill to proper level.
	Malfunction in vibrator housing?	Check eccentric, gears, and counter weights.
	Bearing failure?	Replace bearing.
	Insufficient engine output?	Check engine, compression, etc.

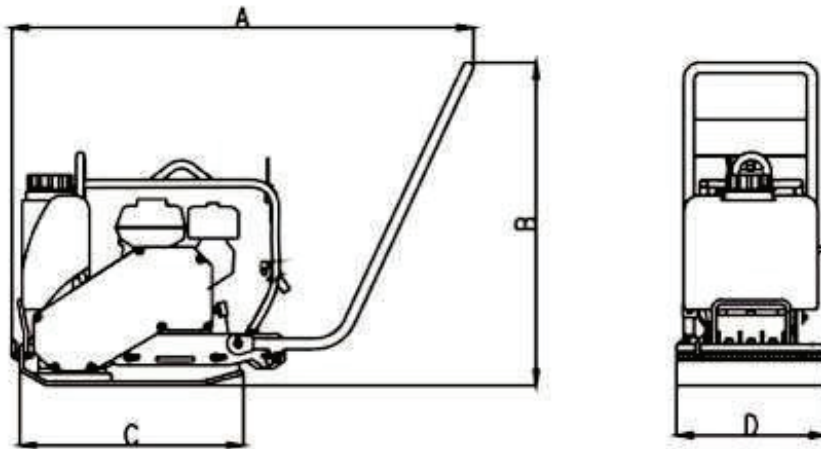
3.7.2 Engine Troubleshooting

SYMPTOM	POSSIBLE CAUSES	SOLUTION
Difficult to start, fuel is available, but no SPARK at spark plug.	Spark plug bridging.	Check gap, insulation or replace spark plug.
	Carbon deposit on spark plug.	Clean or replace spark plug.
	Short circuit due to deficiency.	Check spark plug insulation, replace if needed.
	Improper spark plug gap.	Set to proper gap.
Difficult to start, fuel is available, and SPARK is present at spark plug.	ON/OFF switch is shorted.	Check switch wiring, replace switch.
	Ignition coil defective.	Replace ignition coil.
	Improper spark gap, points dirty.	Set correct spark gap and clean points.
	Condenser insulation worn or short circuiting.	Replace condenser.
Difficult to start, fuel is available, SPARK is present, and compression is normal.	Spark plug wire broken or short circuiting.	Replace defective spark plug wiring.
	Wrong fuel type.	Flush fuel system and replace with correct type of fuel.
	Water or dust in fuel system?	Flush fuel system.
Difficult to start, fuel is available, spark is present, and compression is low.	Air cleaner dirty.	Clean or replace air cleaner.
	Suction/exhaust valve stuck or protruded?	Re-seat valves.
	Piston ring and/or cylinder worn.	Replace piston rings and or piston.
	Cylinder head and/or spark plug not tightened properly.	Torque cylinder head bolts and spark plug.
	Head gasket and/or spark plug gasket damaged.	Replace head and spark plug gaskets.
No fuel present at carburetor.	Fuel not available in fuel tank.	Fill with correct type of fuel.
	Fuel cock does not open properly.	Apply lubricant to loosen fuel cock lever, replace if necessary.
	Fuel filter clogged.	Replace fuel filter.
	Fuel tank cap breather hole clogged.	Clean or replace fuel tank cap.
	Air in fuel line.	Bleed fuel line.
"Weak in power" compression is proper but misfires.	Water in fuel system.	Clean or replace spark plug.
	Dirty spark plug.	Flush fuel system and replace with correct type of fuel.
	Ignition coil defective.	Replace ignition coil.

SYMPTOM	POSSIBLE CAUSES	SOLUTION
“Weak in power” compression is proper and does not misfire.	Air filter not clean.	Clean or replace air filter.
	Improper level in carburetor.	Check float adjustment, re-build carburetor.
	Defective spark plug.	Clean or replace spark plug.
Engine overheats.	Spark plug heat value improper.	Replace with correct type of spark plug.
	Correct type of fuel.	Replace with correct type of fuel.
	Cooling fins dirty.	Clean cooling fins.
Rotational speed fluctuates.	Governor adjusted correctly.	Adjust governor.
	Governor spring defective.	Replace governor spring.
	Fuel flow restricted.	Check entire fuel system for leaks or clogs.
Recoil starter malfunction.	Recoil mechanism clogged with dust and dirt.	Clean recoil assembly with soap and water.
	Spiral spring loose.	Replace spiral spring.

4. TECHNICAL DATA

Size (in):



Model	A	B	C	D
TPC90H	42.1	38.1	21.9	17.7

Sound Specification (According to 2000/14/EC)

<u>Model</u>	<u>Guaranteed sound power level</u>
<u>TPC90H</u>	<u>108dB(A)</u>

Vibration Specification (According to ISO 2631 and EN 1033) :

<u>Model</u>	
<u>TPC90H</u>	<u>5 m/s²</u>

<u>Engine Type</u>	<u>Honda GX160</u>
<u>Power kW (HP)</u>	<u>4.0kW (5.5 HP)</u>
<u>Operating Weight (lb)</u>	<u>187 lbs</u>
<u>Plate Size L x W (in)</u>	<u>22 x 20 in</u>
<u>Centrifugal Force kN</u>	<u>18 kN (4050lbf)</u>
<u>Vibration Frequency</u>	<u>5,400 vpm (90 Hz)</u>
<u>Travel Speed</u>	<u>78ft /min</u>
<u>Exciter Lubrication</u>	<u>0.25 L, SG15W-40 motor oil</u>

5. WARRANTY

Tomahawk Power products are covered by a Warranty for a period of twelve (12) months from the date of purchase against defects in material or workmanship provided that:

- The product concerned has been operated and maintained in accordance with the operating instructions.
- Has not been damaged by accident, misuse, or abuse.
- Has not been tampered with or repaired by any unauthorized person.

The owner is responsible for the cost of transportation to and from the authorized repairer and the unit is at the owner's risk while in transit to and from the repairer.



TPC90H

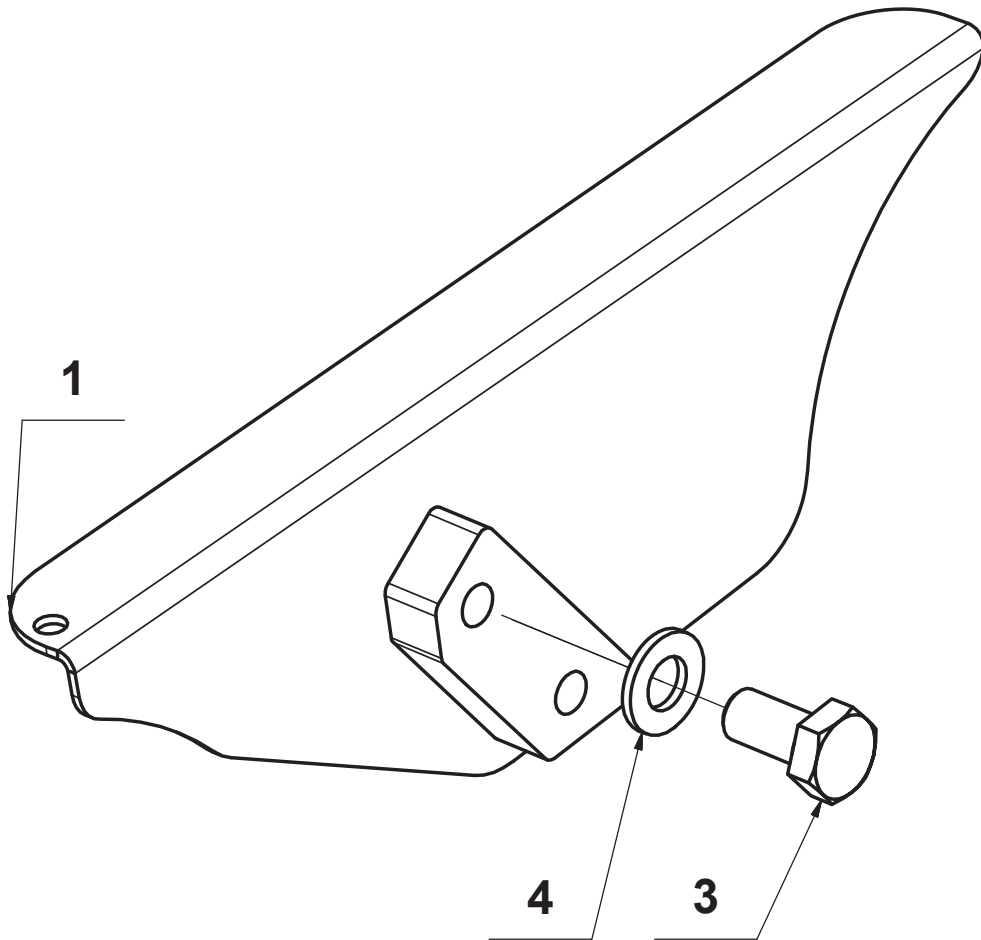
FORWARD PLATE COMPACTOR

SPARE PARTS MANUAL





Part Name:
BELT COVER



Machine Type: **TPC90H**

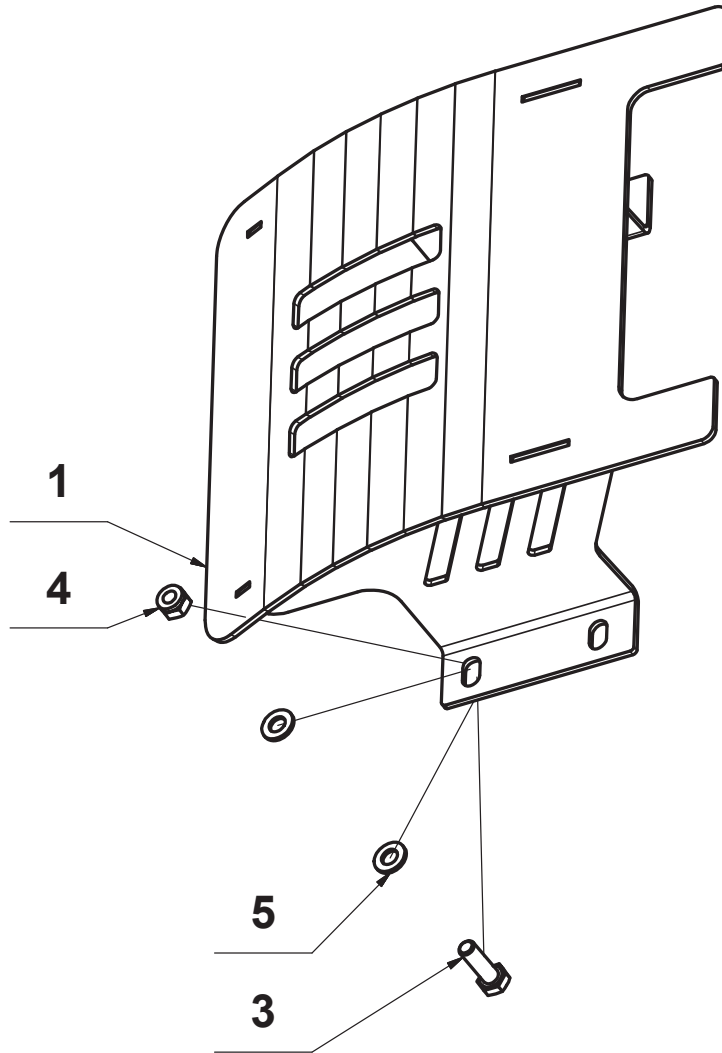
TOMAHAWK POWER

MACHINE TYPE: TPC90H

LABEL	PART NUMBER	PART NAME	QUANTITY
001	42019A	BELT COVER	1
002	2933008016	BOLT	2
003	2125000084	WASHER	3



Part Name:
COVER



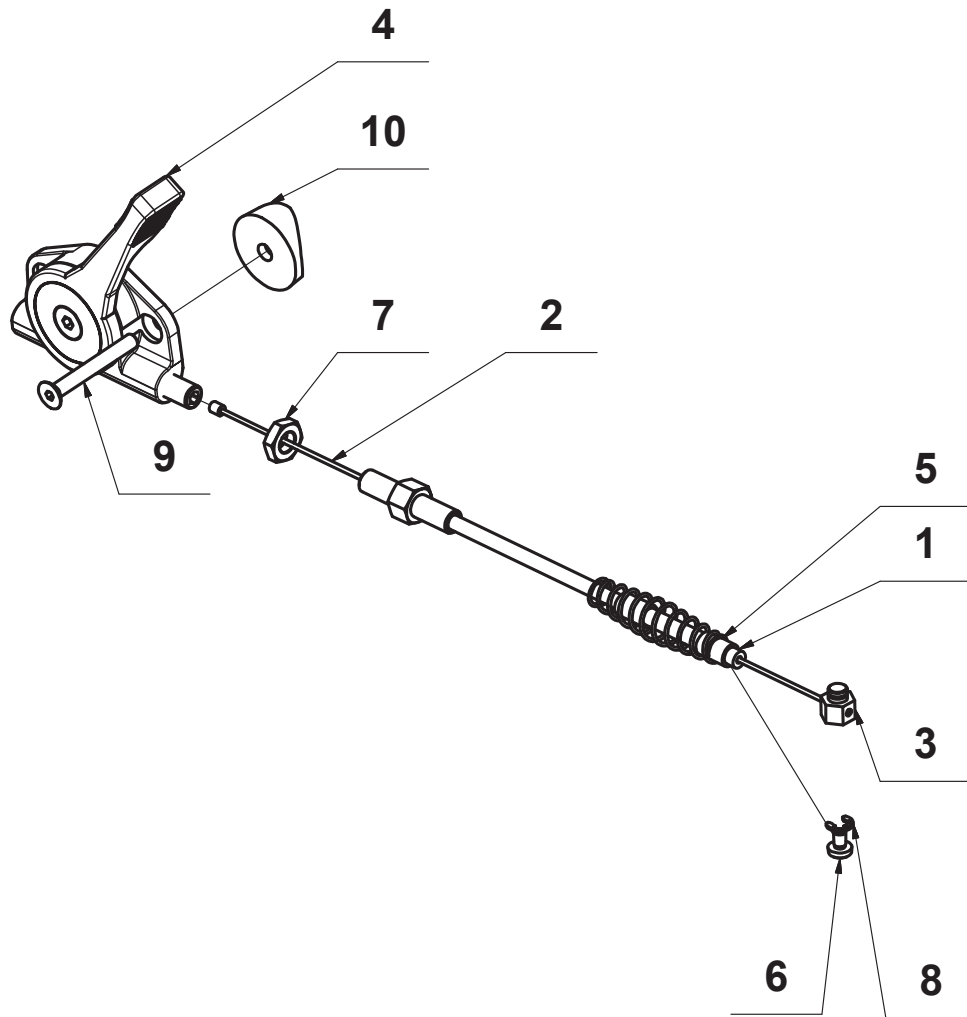
Machine Type: **TPC90H**

TOMAHAWK POWER			
MACHINE TYPE: TPC90H			
LABEL	PART NUMBER	PART NAME	QUANTITY
001	31590A	COVER VD	1
003	2933008022	BOLT	4
004	2985000008	NUT	4
005	2125000084	WASHER	8



Part Name:
THROTTLE OPTION

32196A



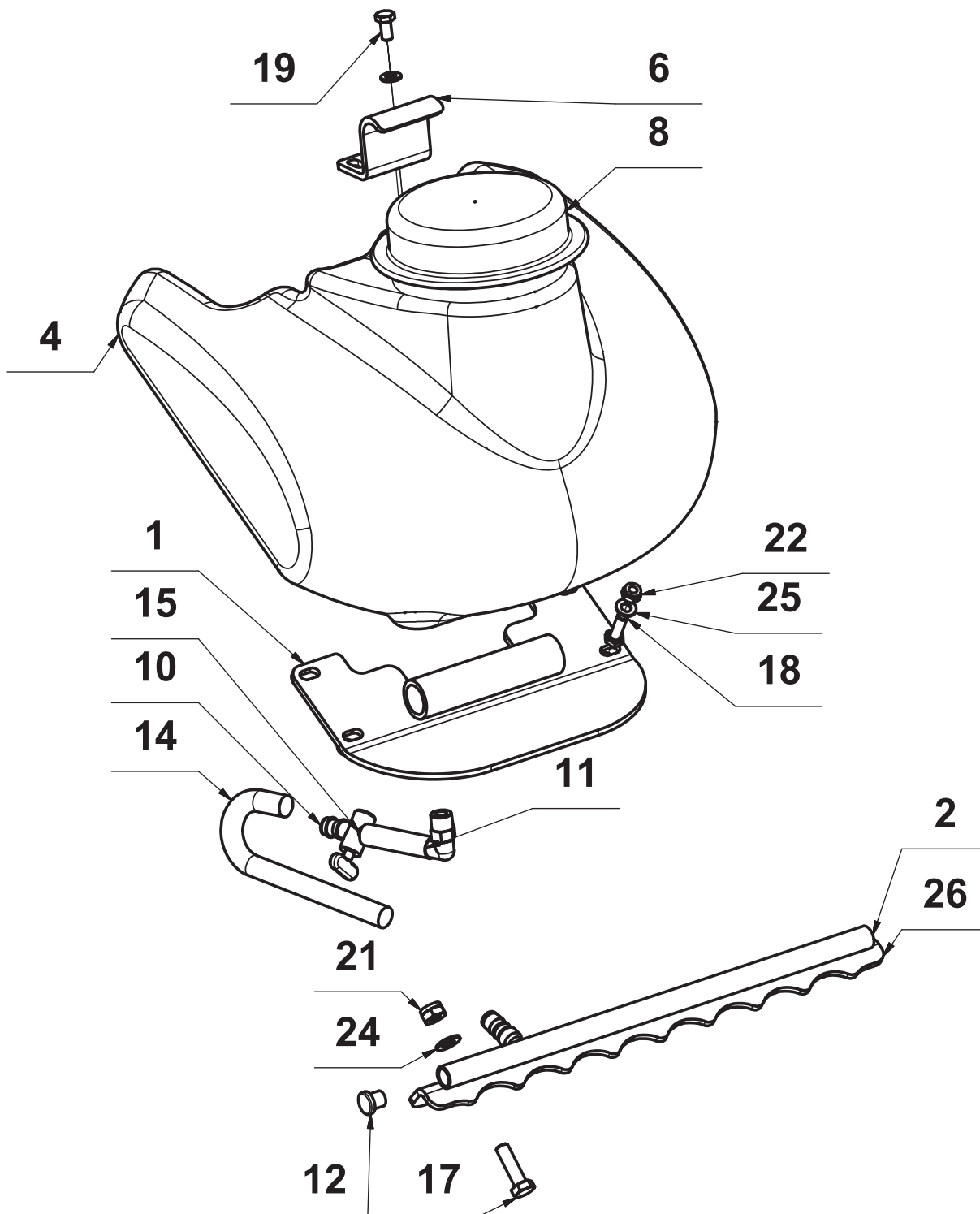
Machine Type: **TPC90H**

TOMAHAWK POWER**MACHINE TYPE: TPC90H**

LABEL	PART NUMBER	PART NAME	QUANTITY
001	41786A	BOWDEN	1
002	600041787A	WIRE	1
003	41238A	NUT	1
004	6000000239	LEVEER	1
005	2200000006	SPRING	1
006	2798504006	BOLT	1
007	2934008075	NUT	1
008	3292900005	RING	1
009	2799105040	BOLT	2
010	600041027A	WASHER	2



Part Name:
SPRINKLER SYSTEM

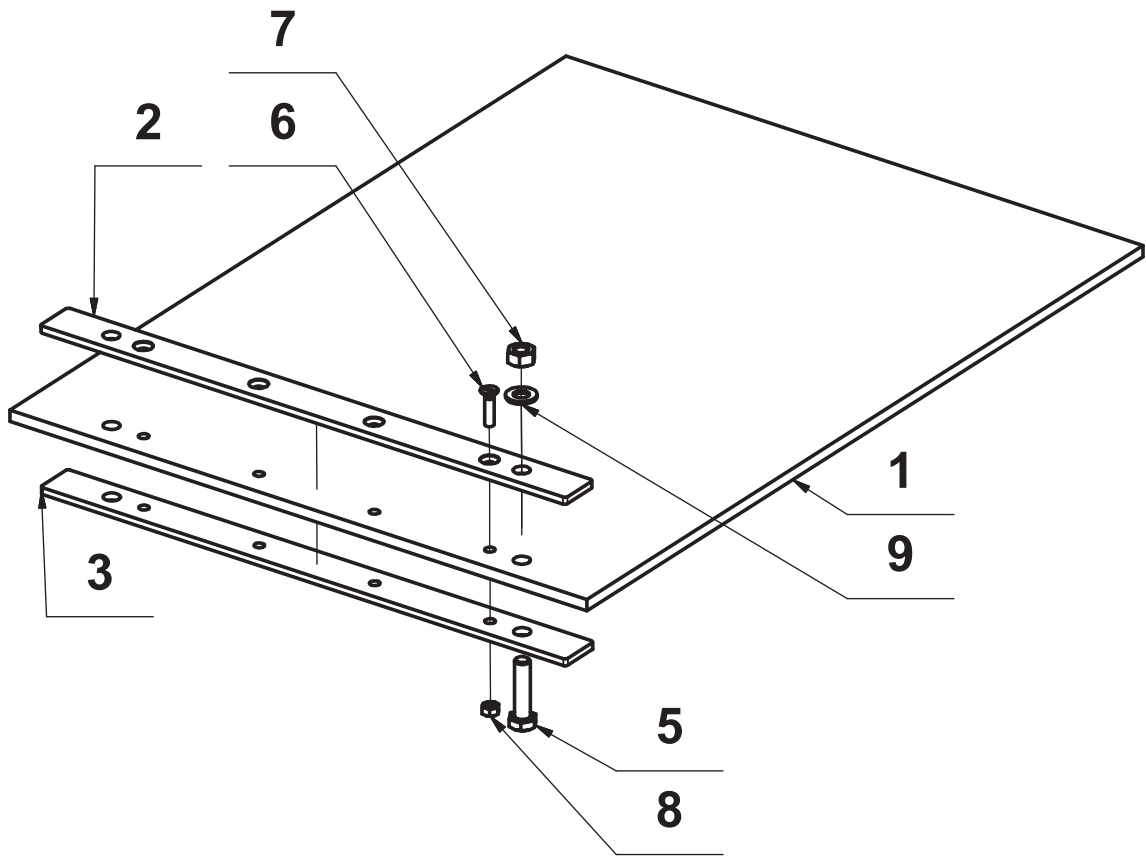


Machine Type: **TPC90H**

TOMAHAWK POWER			
MACHINE TYPE: TPC90H			
LABEL	PART NUMBER	PART NAME	QUANTITY
001	41847A	PLATE	1
002	31837A	TUBE VD15P	1
	31908A	TUBE VD18P	1
	31860A	TUBE VD20P, 24P	1
004	600031326A	TANK	1
006	41855A	HOLDER	1
008	6000000048	PLUG	1
010	4014435001	WATER TAP	1
011	4014014024	SOCKET	1
012	4014085034	PLUG	2
014	60107	TUBE	1
015	60108	TUBE	1
017	2933010035	BOLT	2
018	2933008025	BOLT	4
019	2933008016	BOLT	2
021	2985000010	NUT	2
022	2985000008	NUT	4
024	2125000105	WASHER	2
025	2125000084	WASHER	10
026	31818A	PLATE VD15P	1
	31810A	PLATE18P	1
	31862A	PLATE 20P, 24P	1



Part Name:
DAMPENING PLATE

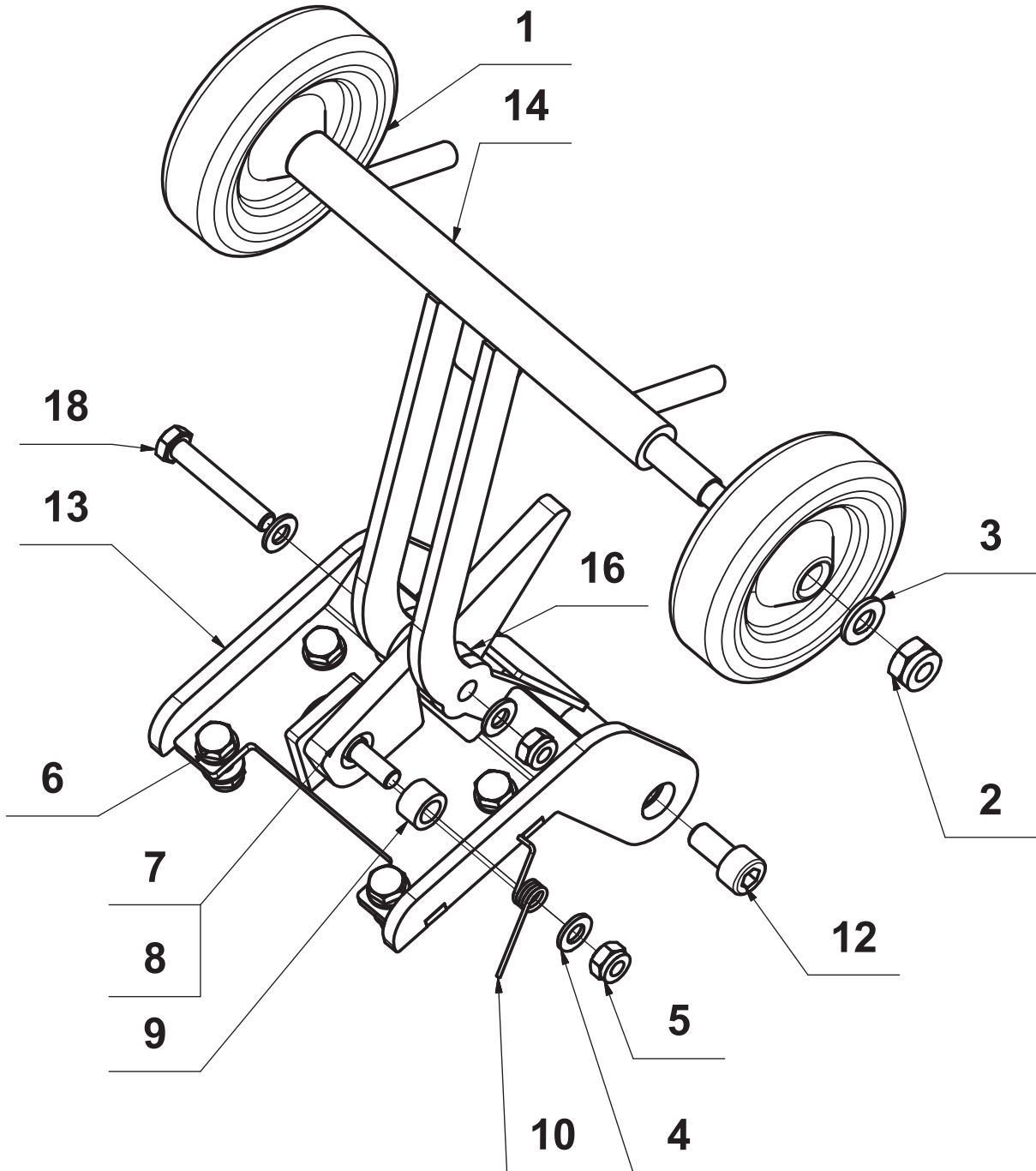


Machine Type: **TPC90H**

TOMAHAWK POWER			
MACHINE TYPE: TPC90H			
LABEL	PART NUMBER	PART NAME	QUANTITY
001	4013100015	DAMPENING PLATE	1
	4013100016	DAMPENING PLATE	1
	4013100017	DAMPENING PLATE	1
002	40093A	PLATE I	1
	42010A	PLATE I	1
	41886A	PLATE I	1
003	40094A	PLATE II	1
	42011A	PLATE II	1
	41887A	PLATE II	1
005	2933010040	BOLT	2
006	2963006025	BOLT	4
007	2985000010	NUT	2
008	2934000006	NUT	4
009	2125000105	WASHER	2



Part Name:
WHEEL KIT

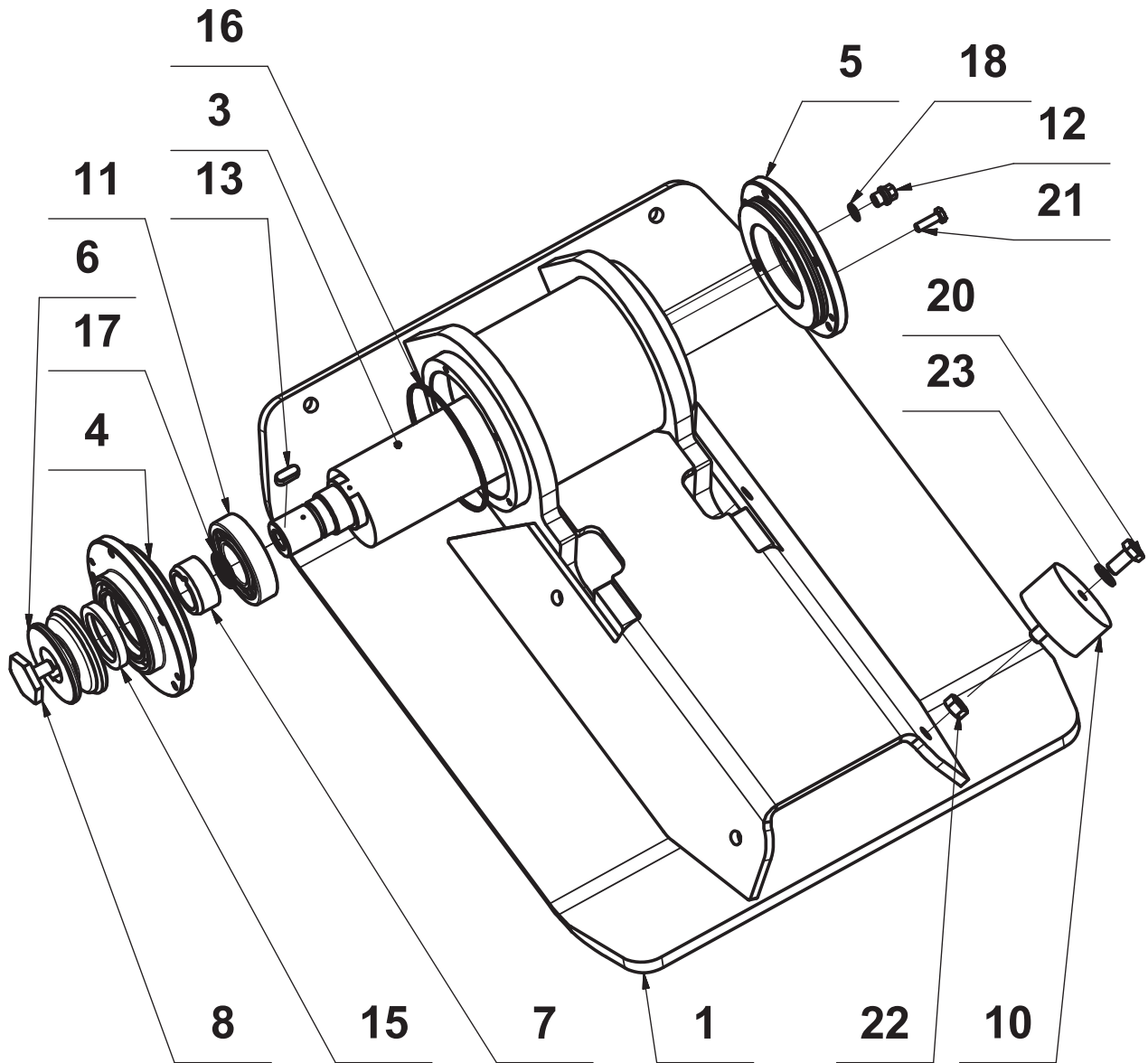


Machine Type: **TPC90H**

TOMAHAWK POWER			
MACHINE TYPE: TPC90H			
LABEL	PART NUMBER	PART NAME	QUANTITY
001	3180180211	WHEEL	2
002	2985000010	NUT	2
003	2125000105	WASHER	2
004	2125000084	WASHER	11
005	2985000008	NUT BOLT	6
006	2933008025	BOLT	4
007	42424B	RATCHET	1
008	4014003034	RING	1
009	4014103034	RING	1
010	2200042456	SPRING	1
012	2912010020	BOLT	2
013	31366B	FRAME	1
014	31608B	FRAME	1
016	42488A	ROLLER	1
018	2933008050	BOLT	1



Part Name:
PLATE WITH VIBRATOR

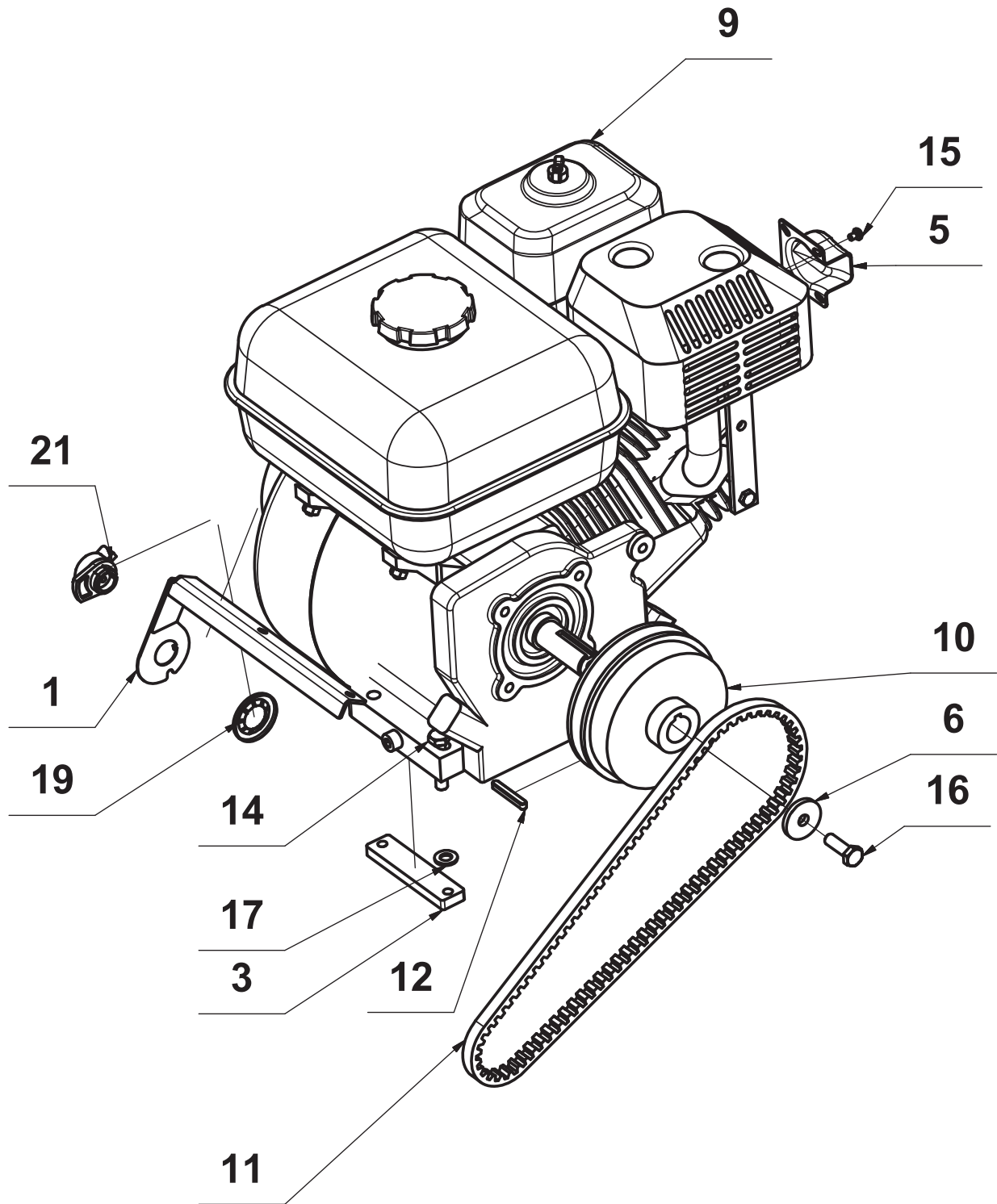


Machine Type: **TPC90H**

TOMAHAWK POWER			
MACHINE TYPE: TPC90H			
LABEL	PART NUMBER	PART NAME	QUANTITY
001	31573A	PLATE	1
	31574A	PLATE	1
	31575A	PLATE	1
	31576A	PLATE	1
003	31387B	ECCENTRIC	1
	31387A	ECCENTRIC	1
	31387C	ECCENTRIC	1
	31466A	ECCENTRIC	1
004	31581B	COVER I	1
004	31583B	COVER I	1
005	31582A	COVER II	1
005	31584A	COVER II	1
006	31597A	PULLEY	1
007	6000040044	RING	1
008	40032A	BOLT	1
010	4232124284	SILENTBLOCK	4
011	3110030207	BEARING	1
011	3110030307	BEARING	1
012	3800000015	PLUG	1
013	2256287720	FEATHER	1
015	4104205518	GUFERO	1
016	4928110002	RING	1
017	4928025526	RING	1
018	3931021014	RING	1
020	2933010020	BOLT	1
021	2933006020	BOLT	1
022	2934000010	NUT	1
023	2125000105	WASHER	1



Part Name:
DRIVE

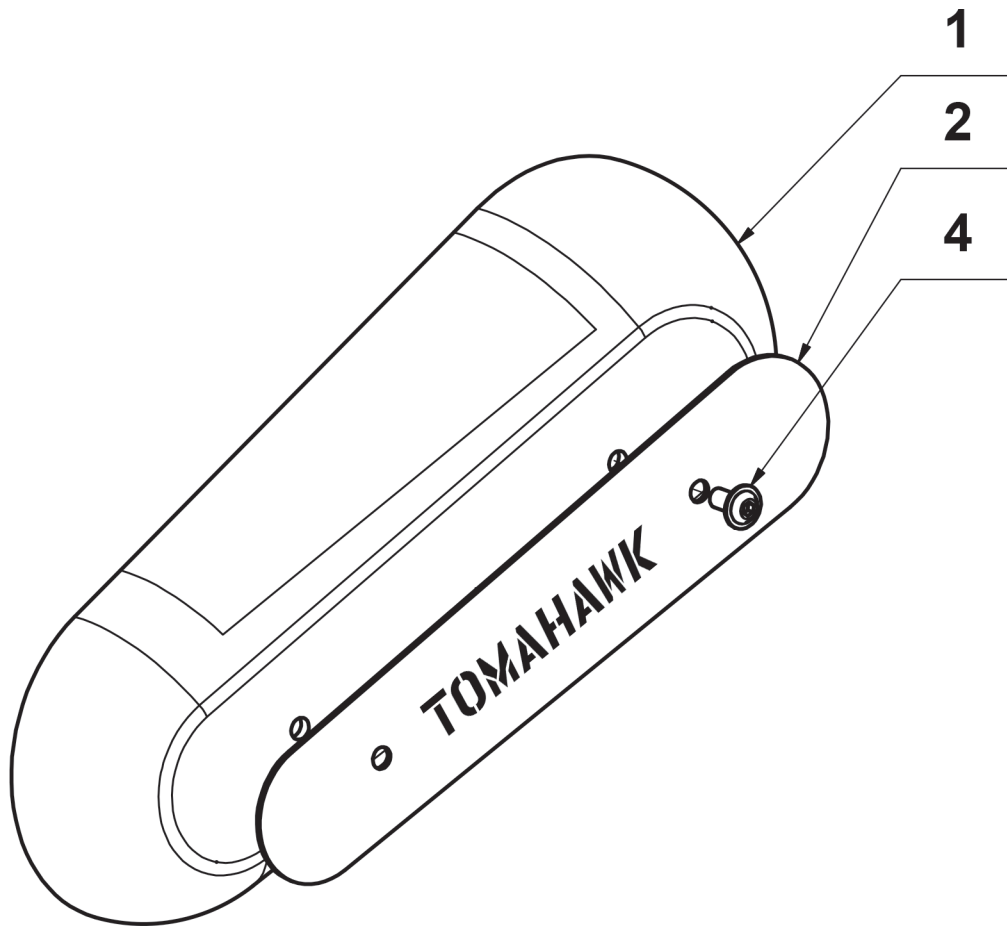


Machine Type: **TPC90H**

TOMAHAWK POWER			
MACHINE TYPE: TPC90H			
LABEL	PART NUMBER	PART NAME	QUANTITY
001	41890A	HOLDER	1
003	41824A	HOLDER	2
005	41061A	EXHAUST HONDA	1
006	40172A	WASHER	1
009	3120010030	MOTOR	1
010	6000000118	CLUTCH	1
011	4080000785	V-BELT	1
012	3120010030D	FEATHER	1
014	2931008040	BOLT	4
015	2798504006	BOLT	2
016	2933008025	BOLT	1
017	2125000084	WASHER	4
019	3200000019	RING	1
021	6800000001	SWITCH	1



Part Name:
BELT COVER



Machine Type: **TPC90H**

TOMAHAWK POWER

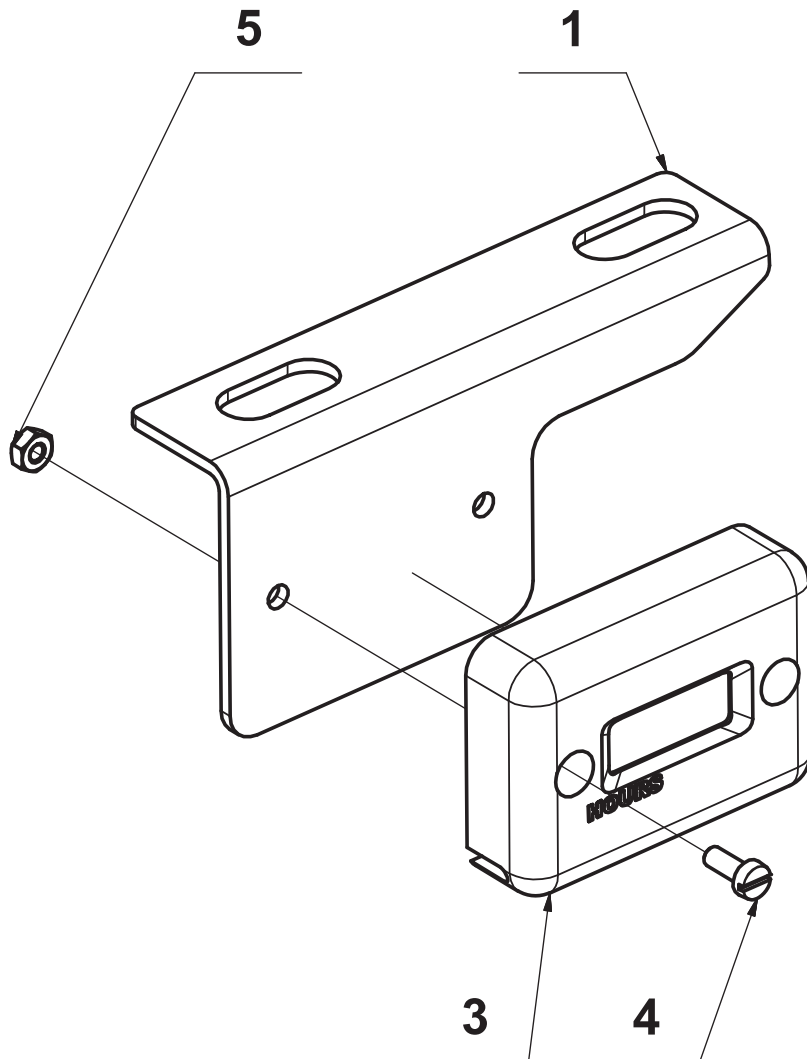
MACHINE TYPE: TPC90H

CHART:

LABEL	PART NUMBER	PART NAME	QUANTITY
001	600031325A	COVER	1
002	31364A	LOGO	1
004	2738008016	BOLT	2



Part Name:
HOUR COUNTER

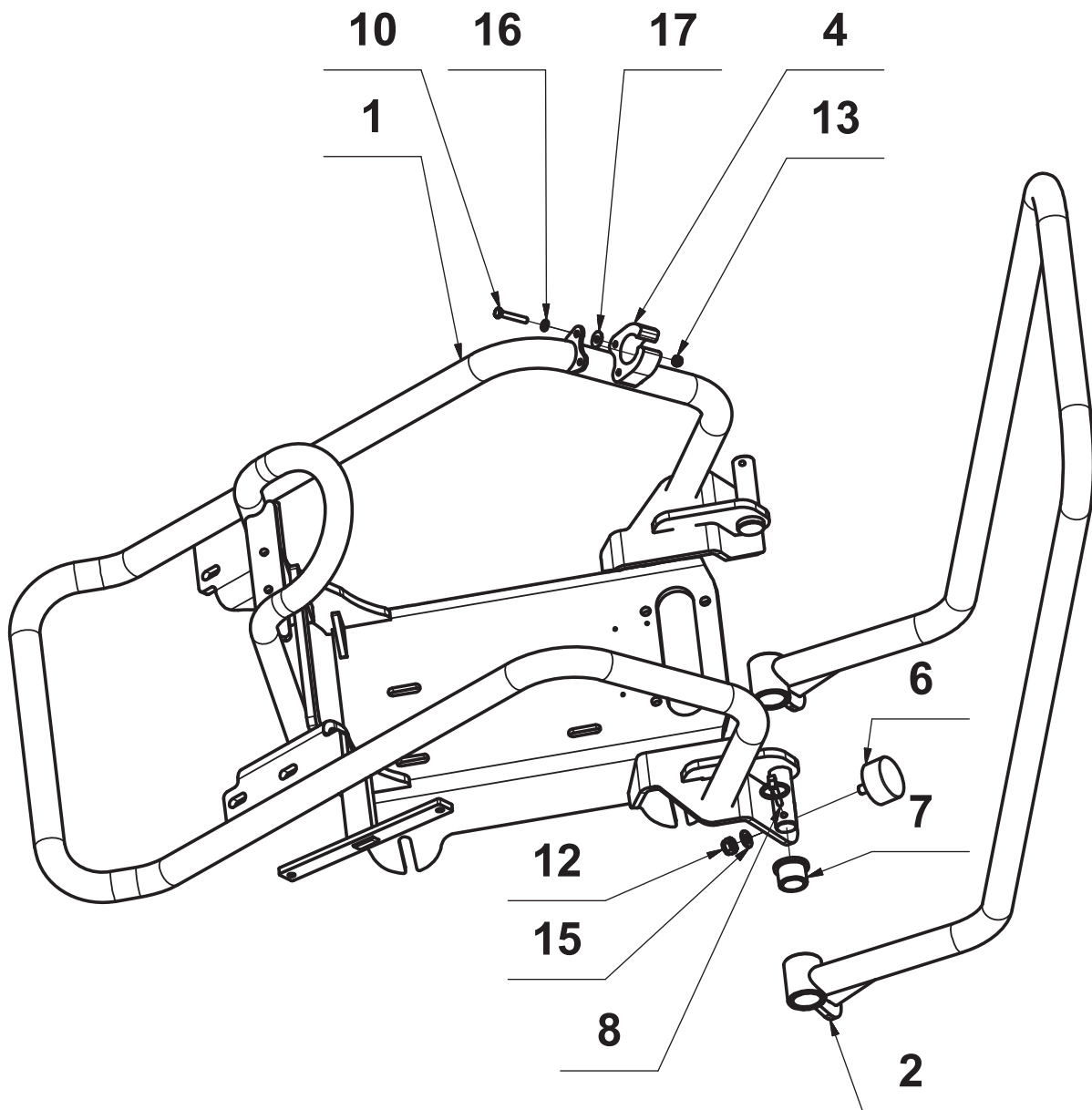


Machine Type: **TPC90H**

TOMAHAWK POWER			
MACHINE TYPE: TPC90H			
LABEL	PART NUMBER	PART NAME	QUANTITY
001	41893A	HOLDER	1
003	6000000296	HOUR COUNTER	1
004	2840003008	BOLT	2
005	2934000003	NUT	2



Part Name:
FRAME PRACTIC



Machine Type: **TPC90H**

TOMAHAWK POWER			
MACHINE TYPE: TPC90H			
LABEL	PART NUMBER	PART NAME	QUANTITY
001	10098A	FRAME	1
002	31604A	HANDLEBAR	1
004	600041988A	HOLDER	1
006	4236203470	SILENTBLOCK	2
007	4014014033	BUSH	4
008	2200000015	BOLT PIN	2
010	2933005030	BOLT	2
012	2985000008	NUT	2
013	2985000005	NUT	2
015	2125000084	WASHER	2
016	2125000053	WASHER	2
017	2902100005	WASHER	2

