

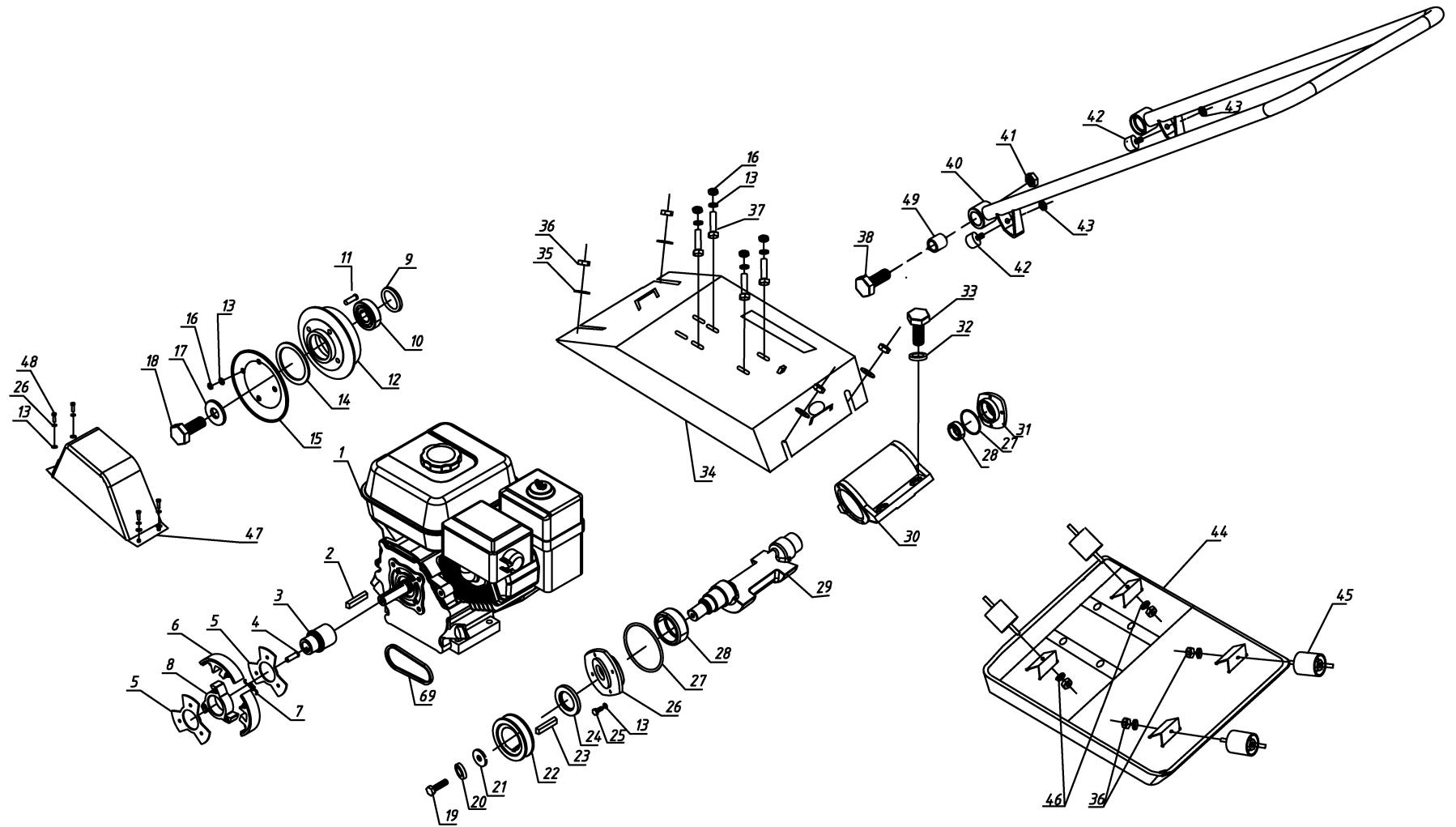
TOMAHAWK

PARTS CATALOG

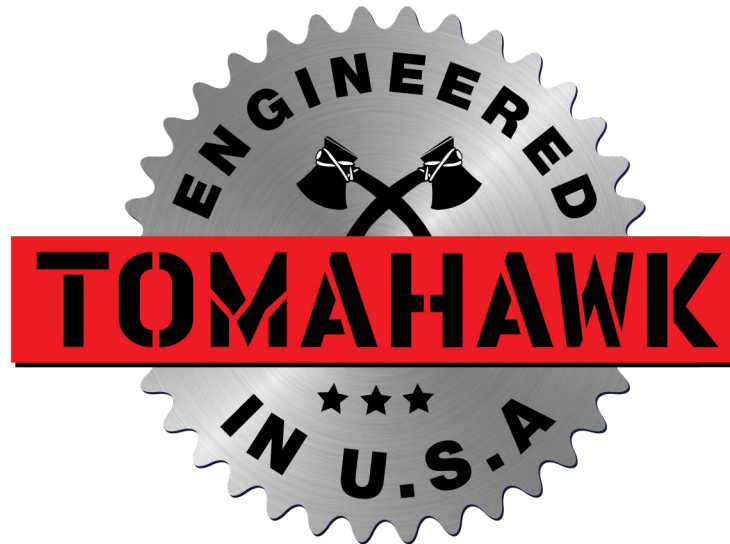
TPC80 FORWARD PLATE COMPACTOR



TPC80



SER.NO	PART NO.	PART NAME	QTY.	SER.NO	PART NO.	PART NAME	QTY.	SER.NO	PART NO.	PART NAME	QTY.
1	GX160 Q	Engineer	1	17	GB/T5287	Washer 8	1	33	GB/T1972	Screw A 28	4
2	HZR96-9	Key	1	18	HZR96-10	Screw 5/16-24	1	34	HZR80.2	Console	1
3	HZR80.6-1	Shaft	1	19	GB/T5783	Screw M8X16	5	35	HZR96-4	Washer	4
4	GB/T 871	Screw 871 5x24	3	20	GB/T93	Washer 8	13	36	GB/T6170	Nut M10	10
5	HZR96.7-3	Baffle	2	21	HZR80-3	Washer	1	37	GB/T5783	Screw M8X45	4
6	HZR96.7-2	Clutch she	3	22	HZR80-1	Pulley	1	38	GB/T5783	Screw M12X70	2
7	HZR96.7-1	Spring	3	23	HZR80-2	Key	1	39	HZR80.5-3	Tank valve bushing	2
8	HZR96.7-4	Joining	1	24	GB/T13871	FB 30 42 7	1	40	HZR80.5	Handle	1
9	GB/T893.1	Retaining ring 55	1	25	GB/T5783	Screw M8X25-10.9	8	41	GB/T889.1	Nut M12	2
10	GB/T276	Ball bearing 6006-2RS	1	26	HZR80.1-3	Bearing holder	1	42	HZR80.5-2	Shockmount	2
11	HZR96.6-1	Screw	4	27	GB/T3452.1	O Sealing 80X3	2	43	GB/T6170	Nut M8	2
12	HZR96.6-4	Clutch drum	1	28	GB/T276	Bearing 6307	2	44	HZR80.3	Baseplate	1
13	GB/T97.1	Washer 8	8	29	HZR80.1-4	Exciter shaft	1	45	HZR80-4	Shockmount	4
14	HZR96.6-3	Clutch spacer	3	30	HZR80.1-1	Exciter housing	1	46	GB/T93	Washer 10	4
15	HZR96.6-2	Pulley	1	31	HZR80.1-2	Bearing holder	1	47	HZR80.4	Kit-upper beltguard	1
16	GB/T889.1	Nut M8	8	32	GB/T70.1	Screw M12X50	4	48	GB/T5783	Screw M8X16	5



TOMAHAWK

Tel: (866) 577 - 4476

Fax: (619) 269 - 1890

www.tomahawk-power.com