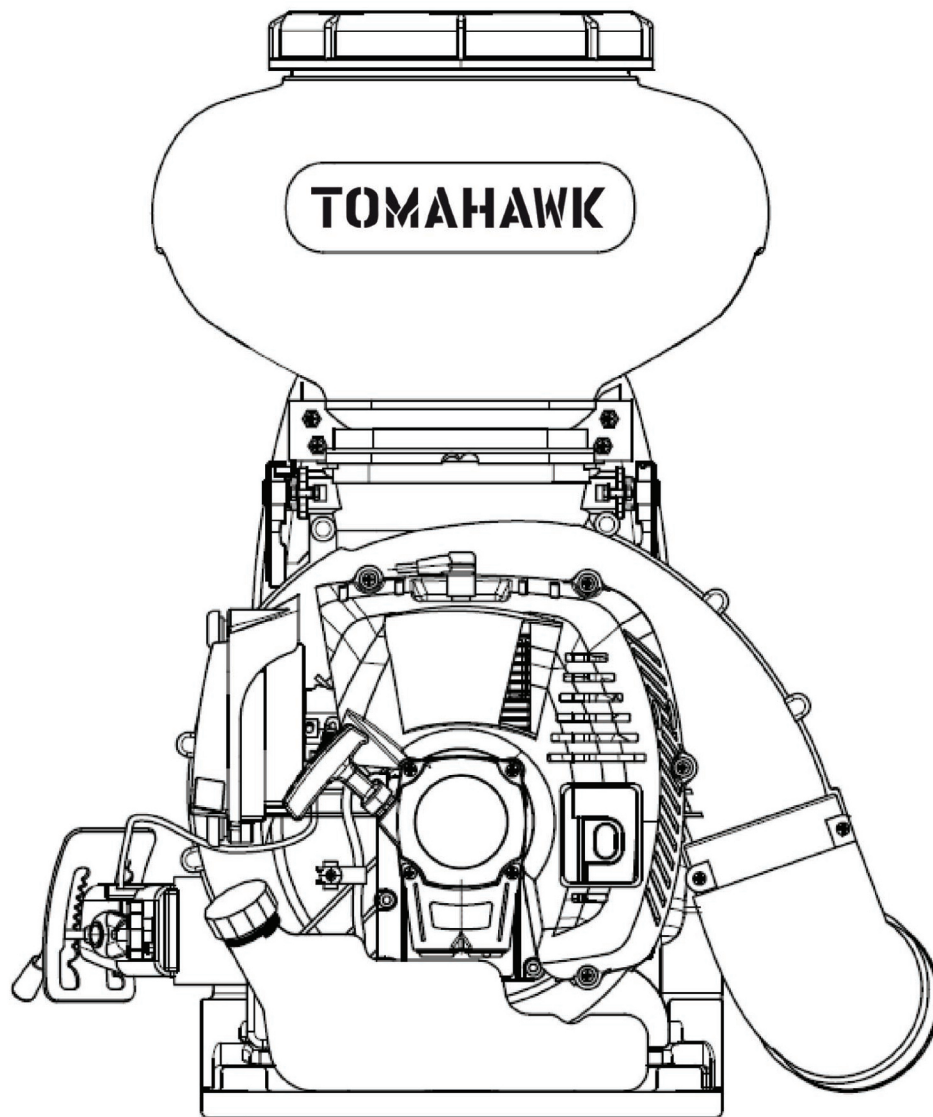


TOMAHAWK

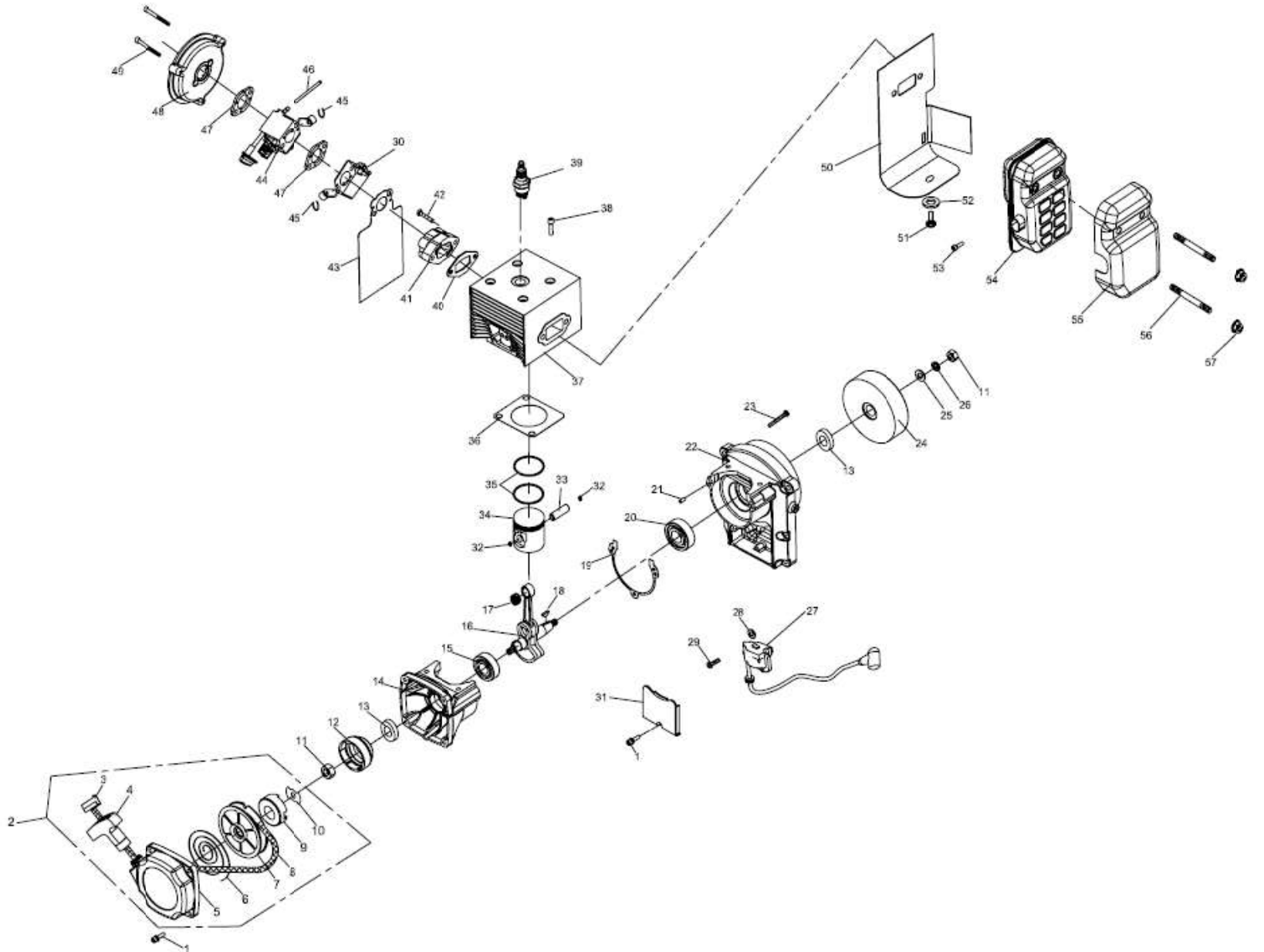
TGS30
GRANULAR SPREADER

Parts Manual



ENGINE GROUP

EB-800-E



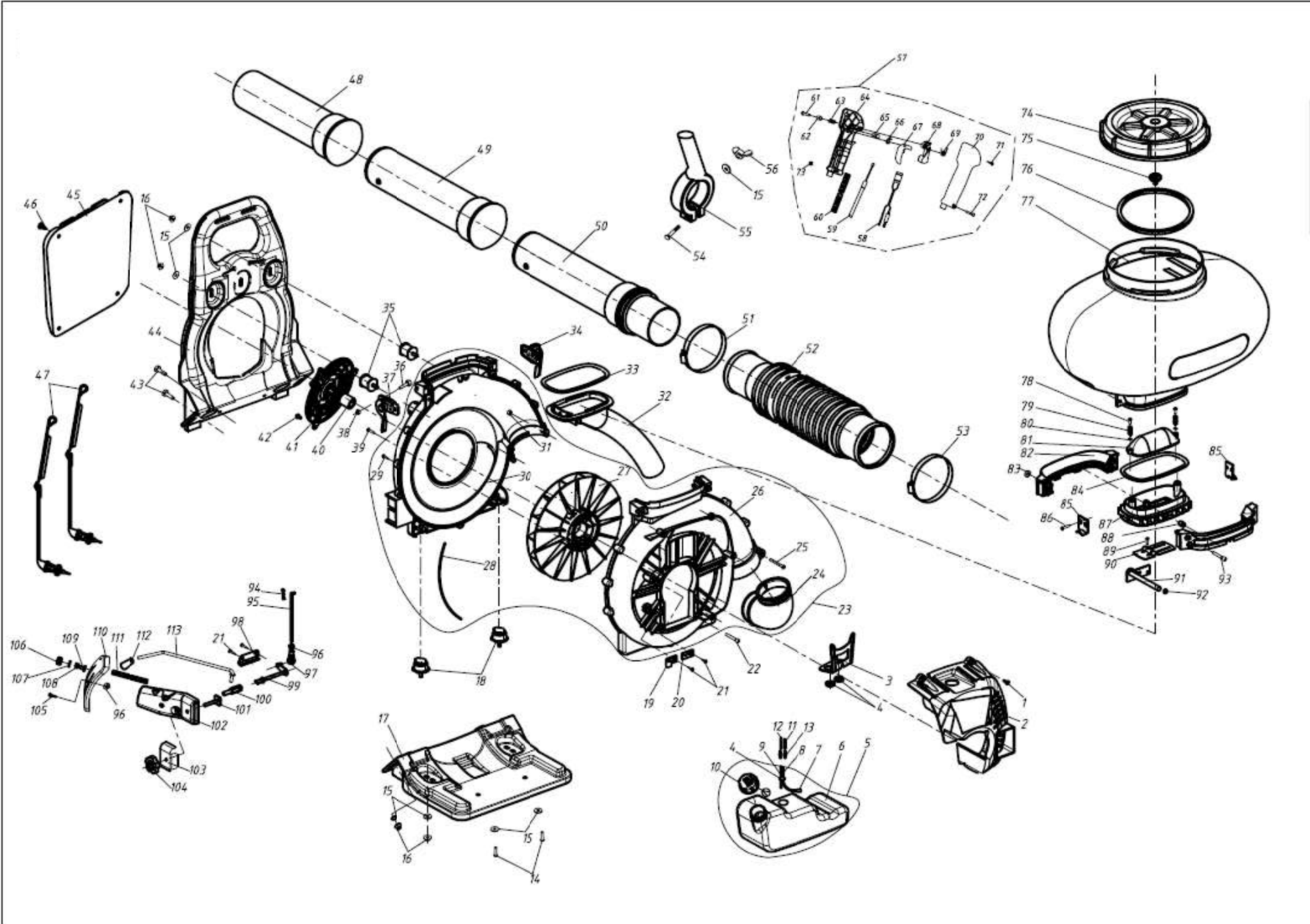
ENGINE GROUP

NO.	Part NO.	Part Name	Qty.
1	GB70.1+GB93+GB97	SCREW M5×16	5
2	EB-800-E.1.7	STARTER ASSY	1
3	1E40FP-3Z.4-10	.KNOB CAP	1
4	1E40FP-3Z.4-2	.KNOB	1
5	EB-800-E.1.7-1	.CASE	1
6	1E40FP-3Z.4-7	.SPRING	1
7	EB-800-E.1.7-3	.REEL	1
8	3.8×800	.ROPE	1
9	1E46FP-3.3-1	.WHEEL	1
10	EB-800-E.1.7-2	.GUIDE SLICE	1
11	GB/T 6171	NUT M10×1	2
12	EB-800-E.1.5	START REEL	1
13	1E40FP-3Z-11	SEAL	2
14	1E54FP.2-2	BACK CANKCASE	1
15	GB/T 276	BEARING 6202/P6	1
16	EB-800-E.1.5.1	CRANKSHAFT	1
17	6MF-30.1.4-3	BEARING	1
18	GB 1099	KEY 3×5×13	1
19	1E54FP.2-1	GASKET	1
20	GB/T 276	BEARING 6203	1
21	GB119	PIN 4h8×10	2
22	EB-800-E.1.4-1	FRONT CANKCASE	1
23	GB70	SCREW M5×35	3
24	1E46FP.1.1-	FLYWHEEL	1
25	GB97	WASHER 10	1
26	GB93	WASHER 10	1
27	EB-800-E.1.9	MAGNETO	1
28	P40-5	WASHER	2
29	GB9074.13	SCREW M4×20	2
30	EB-800-E.1.10	BLOCK	1
31	EB-800-E.1-3	SHIELD	1
32	1E58FL.6-5	RING	2
33	6MF-30.1.4-2	PISTON PIN	1
34	EB-800-E.1.5-1	PISTON	1
35	1E53FP.4-2	PISTON RING	2
36	EB-800-E.1-7	GASKET	1
37	EB-800-E.1.3	CYLINDER ASSY	1
38	GB70	SCREW M6×20	4
39	BPMR7A	SPARK PLUG	1
40	EB-800-E.1-2	GASKET	1
41	EB-800-E.1.2	INSULATOR	1
42	GB70.1+GB93+GB97	SCREW M5×25	2
43	EB-800-E.1-1A	GASKET	1

ENGINE GROUP

NO.	Part NO.	Part Name	Qty.
44	EB-800-E.1.1	CARBURETOR	1
45	GB 894	RING 8	2
46	CG420.1.3.2-2	FULE TUBE	100mm
47	6MF-30.1-6	GASKET	2
48	EB-800-E.2-7	INSIDE COVER	1
49	GB70.1+GB93+GB97	SCREW M5×80	2
50	EB-800-E.1-4A	GASKET	1
51	GB70	SCREW M5×8	1
52	GB96	WASHER 5	1
53	GB70.1+GB93+GB97	SCREW M5×12	1
54	EB-800-E.1.6	MUFFLER	1
55	EB-800-E.1.8	SHIELD	1
56	1E40F-5-13C	BOLT	2
57	GB6187.1	NUT M8	2

TANK AND BLOWER GROUP



TANK AND BLOWER GROUP

NO.	Part NO.	Part Name	Qty.
1	3WF-20.9-2	SCREW M5×16	4
2	EB-800-E-4	ENGINE COVER	1
3	3WFB-30.8-1	SUPPORTING PLATE	1
4	EB-415.4.2-2	VITTA PLUG	3
5	EB-500-E.4	FULE TANK ASSY	1
6	EB-500-E.4-1	.FULE TANK	1
7	P40.12.2-3A	.FILTER	1
8	CG420.1.3.2-2	.FULE TUBE	350mm
9	EB-415.4.2-4	.FULE TUBE	180mm
10	1E32FL.6.2	.CAP ASSY	1
11	CG420.1.3.2-2	FULE TUBE	100mm
12	EB-415.4.2-4	FULE TUBE	80mm
13	EBV260-3E.1.9.2A	JOINT	2
14	GB/T 818	SCREW 6×12	2
15	GB/T 96	WASHER 6	10
16	GB/T 6177	NUT M6	8
17	3WFB-30-5	FRAME BASE	1
18	3F-30.17	SUPPORT COLUMN	2
19	EB-800-E-5	SUPPORT PLATE	1
20	3WF-20A-1	SUPPORT PLATE	1
21	3WF-20.9-1	SCREW 5×10	4
22	GB70.1+GB93+GB848	SCREW 6×25	6
23	3WFB-30.1	FAN ASSY	1
24	EB-650.7-1	.EBLOW	1
25	GB/T 818	.SCREW 5×70	2
26	3WFB-30.1.1	.VOLUTE CASE	1
27	3WFB-30.1.3	.IMPELLER	1
28	3WFB-30.1-1	.SEALING STRIP	1
29	GB/T 845	.SCREW ST4.2×19	10
30	3WFB-30.1.2	.VOLUTE COVER	1
31	GB/T 889.1	.NUT M5	2
32	3WFB-30.3.1	LEAK PIPE ASSY	1
33	3WFB-30.3-1	SEALING WASHER	1
34	3WFB-30.5	RIGHT LOCKING HANDLE ASSY	1
35	3F-30.12	RUBBER PILLAR	2
36	GB/T 5782	SCREW 6×16	4
37	3WFB-30.4	LEFT LOCKING HANDLE ASSY	1
38	GB/T 6170	NUT M6	4
39	GB70.1+GB93+GB97.1	SCREW 5×35-10.9	4
40	3WF-3S.3.1-4	PLASTIC TIE-IN	1
41	3WF-3S.3A	PUMP ASSY	1
42	GB9074.4	SCREW 4×10	3
43	GB9074.13	SCREW 6×25	4

TANK AND BLOWER GROUP

NO.	Part NO.	Part Name	Qty.
44	3WFB-30-2	FRAME	1
45	3WFB-30.10	PAD	1
46	3WF-2.6B-2	CLIP	4
47	EB-500-E.3	BAND ASSY	2
48	EB-650-E.5-1	PIPE	1
49	EB-650.7-3	PIPE	1
50	EB-650.7.1	PIPE	1
51	JB8870	φ59-φ82	1
52	3F-30.18-3	HOSE	1
53	JB8870	φ78-φ101	1
54	GB5783	BOLT M6×45	1
55	EB-650.7.2-1A	HANDLE	1
56	GB/T 62	NUT M6	1
57	EB-800-E-CZHZZ	LEVER SET	1
58	BC36.3.1	.STOP SWITCH	1
59	EB-800-E.6	.CABLE	1
60	3WF-16.3.2-1	.TUBE	1
61	GB/T 846	.SCREW ST2.9×13	1
62	BL750.3-9	.PUSH BUTTION	1
63	BL750.3-7	.SPRING	1
64	CG330B-3E.2.1.2	.LEFT MANIPULATOR	1
65	BL750.3-8	.PIN	1
66	BL750.3-2	.SPRING	1
67	BL750.3-3	.LEVER	1
68	BL750.3-4	.LEVER,throttle	1
69	BL750.3-1	.LONG SPRING	1
70	CG330B-3E.2.1-1	.RIGHT MANIPULATOR	1
71	GB/T 845	.SCREW ST2.9×18	3
72	GB/T 70.1	.SCREW M5×30	1
73	GB/T 889	.NUT M5	1
74	3WF-3.17.1-2	TANK CAP	1
75	3WF-3.17.1-1	AIR VALVE	1
76	3WF-3.17.1-3	SEALING WASHER	1
77	3WFB-30E.1.1-1	CHMICAL TANK	1
78	GB/T 5782	BOLT M6×30	2
79	QWMB12.2.2-5	SPRING	2
80	GB/T97	WASHER 6	2
81	3WFB-30.2.2-4	LEAKPLATE	1
82	3WFB-30.2-1	CLAMP	2
83	GB/T6170	NUT M6	4
84	3WFB-30.2.2-5	SEALING WASHER	1
85	3WFB-30.2-2	FIX PIECE	2
86	GB/T 819	SCREW 5×10	4
87	3WFB-30.2.2-1	DUSTING PLATE	1
88	3WFB-30.3-12	PLUG	1
89	GB/T818	SCREW 4×10	2

TANK AND BLOWER GROUP

NO.	Part NO.	Part Name	Qty.
90	3WFB-30.2.2.1	PLATE	1
91	3WFB-30.2.2-3	ROCKER SHAFT	1
92	GB/T 3452.1	SEALING WASHER 6.9×1.8	1
93	GB/T 70.1	SCREW M6×45	4
94	3WF-2.6A-2	PIN	1
95	3WFB-30.7-3	PILLING ROD	1
96	GB/T 6170	NUT M5	3
97	3WF-3-15A	CONNECTOR	1
98	3WF-2.6.7-6	PLATE	1
99	3WFB30.7.2	CONNECTING ROD ASSY	1
100	3WFB30.7-2	PIN SHAFT	1
101	3WF-28.3.3	SCREW	1
102	3WFB-30.7-1	CONNECTING BEAM	1
103	3WF-28.3-3	ARMOR PLATE	1
104	3WF-28.1.2	HANDLE	1
105	GB/T 9074.4	SCREW M5×16	2
106	3WF-28.3.4	NUT	1
107	GB/T 97	WASHER 8	1
108	3WF-28.3-8	SPRING	1
109	3WF-28.3-7	SCREW	1
110	3WF-28.3-2	CRADUATOR	1
111	CG328B.1.1-4	TUBE	270mm
112	3F-30.6-2	HANDLE	1
113	3WF-28.3.2	DUST ROD	1



Power Your World

Tomahawk understands to keep a job-site running smoothly the proper equipment and spare parts are needed at the drop of a hat. With same day shipping and faster delivery times, count on Tomahawk to keep you powered throughout the day! With long lasting parts and engines, Tomahawk equipment will be the star of your tool shed for years to come.

TOMAHAWK

Tomahawk Power, LLC
San Diego, CA

Sales Support
(866) 577-4476
sales@tomahawk-power.com

Service and Warranty Support
support@tomahawk-power.com

www.tomahawk-power.com

TOMAHAWK

