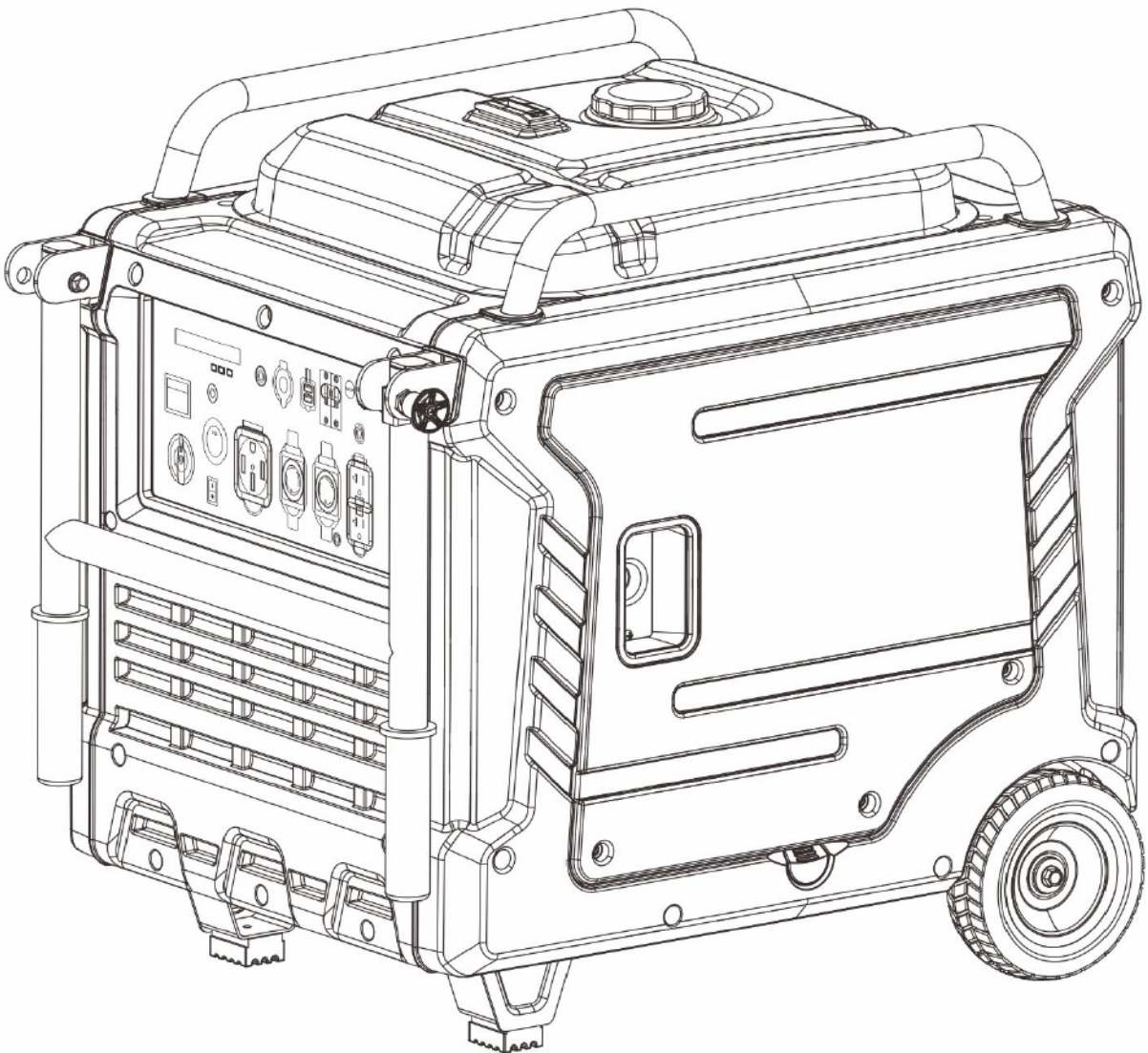


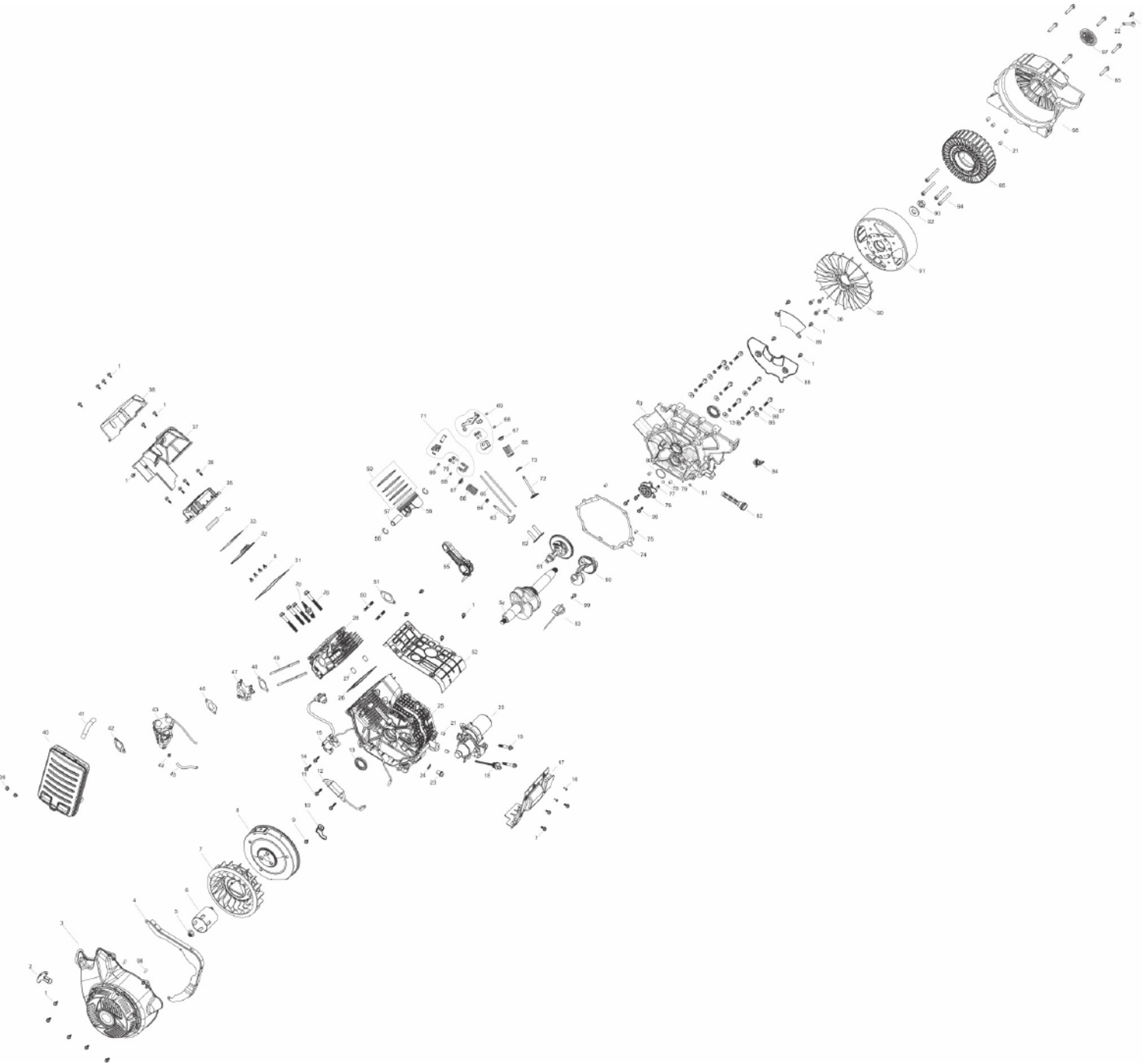
# TOMAHAWK

**TG9000i**  
**INVERTER GENERATOR**

**Parts Manual**



# ENGINE



# ENGINE

No.	Part No.	Description	Quantity
1	5787.06012.00.01	Bolt	24
2	2004.168.0100.00.00	Hand Shank	1
3	2000.T92.2010.04.02	Initiator	1
4	1005.B03.0010.00.00	Mounting Plate	1
5	6177.16000.06.01	Nut	1
6	2020.T92.001V.00.00	Starting Sleeve	1
7	2030.T92.001V.63.00	Flywheel Fan	1
8	2040.T92.004V.00.00	Flywheel Components	1
9	5787.06008.00.01	Bolt	5
10	2090.T92.001V.00.00	Tension Disc	1
11	5787.06030.00.01	Bolt	2
12	2050.D88.001V.00.00	Charging Coil Assembly	1
13	3150.188.002V.00.00	Oil Seal	2
14	5787.06025.00.01	Bolt	2
15	2100.B03.0010.00.00	Igniter	1
16	0845.42013.00.01	Bolt	2
17	5313.B03.0010.00.00	Starter Motor Cover	1
18	1230.T92.001V.16.00	Oil Gauge Ass.	1
19	5787.08050.00.01	Bolt	2
20	2070.T92.A02V.00.00	Cranking Motor	1
21	3170.T92.002V.00.00	Set Pin	6
22	1220.188.R001V.00.00	Tension Disc	1
23	1250.188.001V.00.20	Bolt	1
24	1260.188.001V.66.00	Gasket For Oil Drain Bolt	1
25	1000.T92.0040.00.00	Crankcase Body	1
26	3020.T92.001V.00.00	Cylinder Head Gasket	1
27	3170.188.002V.00.00	Set Pin	2
28	0010.T92.001V.00.00	Cylinder Head	1
29	M5787.10080.05.10	Bolt	4
30	2160.168.006V.00.00	Spark Plug	1
31	3000.T92.001V.00.00	Cylinder Head Cover Pad	1
32	7061.T92.001V.00.00	Breathing Valve Plate Assembly	1
33	7061.T92.002V.00.00	Breathing Valve Pad	1
34	7080.T92.001V.00.00	Fuel Filter	1
35	0001.T92.001V.00.00	Cylinder Head Cover	1
36	5787.06020.00.01	Bolt	11
37	2190.B03.0010.00.00	Cylinder Head Air Hood	1
38	5314.B03.0010.00.00	Cylinder Head Cover Outer Cover	1
39	6177.06000.00.01	Nut	2
40	2280.T92.C02V.00.00	Air Cleaner Ass.	1

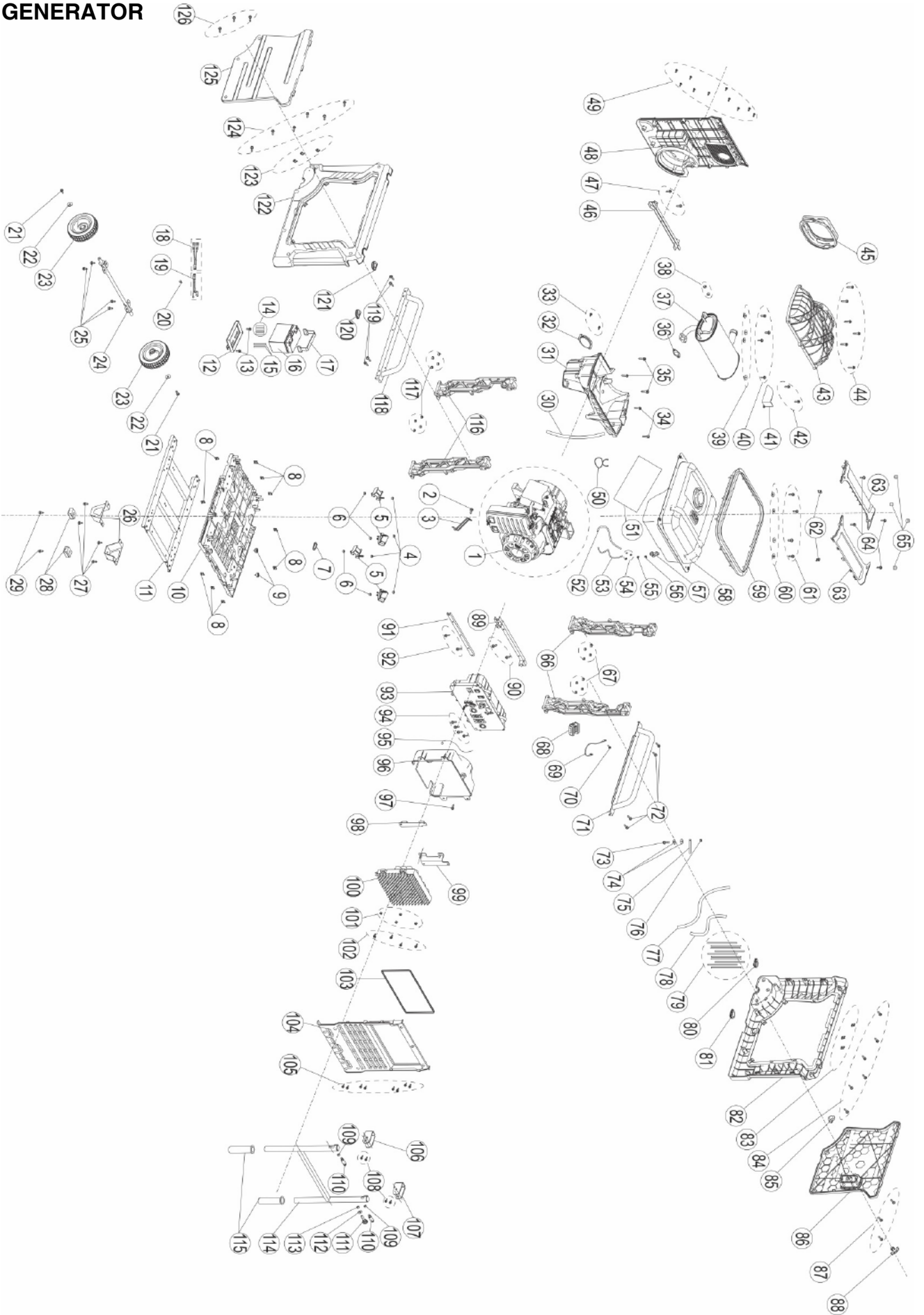
# ENGINE

No.	Part No.	Description	Quantity
41	2370.T92.001V.00.00	Exhaust Pipe	1
42	3090.188.005V.00.00	Air Filter Gasket	1
43	2260.B03.0040.00.00	Carburetor Ass.	1
44	2360.458.003V.00.00	Ferrule	1
45	2330.154.C06V.00.21	Oil Tube	1
46	3080.T92.001V.00.00	Gasket,Carburetor	1
47	2300.T92.004V.00.00	Carburetor Block	1
48	3060.T92.001V.00.00	Gasket,Inlet Port	1
49	0900.68105.00.01	Bolt	2
50	0900.08037.00.01	Bolt	2
51	3100.T92.001V.00.00	Exhaust Port Gasket	1
52	8654.B03.0010.00.00	Case Cover	1
53	0135.T92.004V.00.00	Oil Alarm Module	1
54	0180.B03.0010.60.00	Grankshaft Ass.	1
55	0190.T92.001V.00.00	Connecting Rod Assembly	1
56	0230.188.001V.00.00	Clip,Piston Pin	2
57	0220.T92.001V.00.00	Piston Pin	1
58	0200.T92.001V.00.00	Piston	1
59	0210.T92.001V.00.00	Piston Ring Ass.	1
60	1060.T92.001V.00.00	Balance Shaft	1
61	1040.T92.001V.61.00	Camshaft Ass.	1
62	1030.188.001V.00.00	Tappet	2
63	0020.T92.001V.00.00	Intake Valve	1
64	0085.188.001V.00.00	Oil Seal,Intake Valve	1
65	0160.T92.002V.00.00	Pusher	2
66	0040.T92.001V.00.00	Valve Spring	2
67	0060.T92.001V.00.00	Valve Spring Seat	2
68	1120.T92.001V.00.00	Valve Collet	4
69	0090.188.001V.00.00	Valve Top Cap	2
70	5787.06012.00.10	Bolt	4
71	0100.T92.001V.00.00	Rocker Ass.	2
72	0030.T92.001V.00.00	Exhaust Valve	1
73	0080.188.001V.00.00	Exhaust Valve Spring Lower Seat	1
74	3040.T92.001V.00.00	Crankcase Mat	1
75	3170.188.001V.00.00	Set Pin	4
76	6240.T92.001V.00.00	Oil Pump Assembly	1
77	1150.T92.002V.00.00	Oil Pump Valve Spring	1
78	1900.T92.001V.00.00	Steel Ball	1
79	3170.T92.R001V.00.00	Set Pin	2
80	3130.T92.002V.00.00	O Rubber Ring For Oil Pump	1

# ENGINE

No.	Part No.	Description	Quantity
81	3130.T92.001V.00.00	Case O Rubber Ring	1
82	1240.T92.001V.00.00	Oil Filter Plug	1
83	1010.B03.0010.00.00	Crankcase Cover	1
84	1020.T92.001V.00.00	Oil Alarm	1
85	0097.08000.00.01	Flat Washer	10
86	0093.08000.00.01	Spring Washer	10
87	5787.08042.00.01	Bolt	14
88	2230.B03.0010.00.00	Wind Deflectora	1
89	2230.B03.0020.00.00	Wind Deflectorb	1
90	2030.562.0010.00.00	Fan	1
91	4000.562.0010.00.01	Motor Rotor Assembly	1
92	4100.562.001V.00.00	Flat Gasket	1
93	6177.18000.06.07	Nut	1
94	0070.08070.00.04.01	Bolt	4
95	4000.562.0020.00.02	Motor Stator Assembly	1
96	4060.562.001V.77.00	Generator Back Cover	1
97	5010.562.002V.00.00	Plug	1
98	2365.188.002V.00.00	Ply-Yarn Drill	2
99	5787.06016.00.01	Bolt	1

# GENERATOR



# GENERATOR

No.	Part No.	Description	Quantity
1	BP00.092.001.00	Engine	1
2	5787.06016.00.07	Bolt	1
3	2290.T92.001V.00.00	Air Filter Holder	1
4	6177.10000.05.07	Nut	4
5	3350.520.003V.00.01	Shock-Absorbing Seat A	4
6	6177.08000.00.07	Nut	4
7	5010.562.006V.00.00	Plug	1
8	6178.06000.01.04	Nut	10
9	5010.562.005V.00.00	Plug	2
10	3340.562.001V.63.00	Baseplate	1
11	3340.562.002V.D7.00	Baseplate	1
12	3331.J01.0010.04.01	Battery Pack	1
13	5787.06016.00.07	Bolt	2
14	2757.562.0010.00.00	Battery Protection Pad A	4
15	2757.562.0020.00.00	Battery Protection Pad B	2
16	2460.562.001V.00.00	Storage Battery	1
17	9575.562.001V.00.00	Battery Band	1
18	6951.562.0020.00.00	Battery Wiring Harness	1
19	6951.562.0010.00.00	Battery Wiring Harness	1
20	5787.06016.00.07	Bolt	1
21	5787.08016.00.07	Bolt	2
22	4100.700.M01V.20.07	Flat Gaske	2
23	3332.562.0010.00.00	Wheel	2
24	3335.562.0010.00.00	Axle	1
25	5787.08016.00.07	Bolt	4
26	3334.562.001V.04.00	Supporting Seat	2
27	5787.08012.00.07	Bolt	4
28	3360.460.002V.00.00	Shock Pad	2
29	5787.06025.00.07	Bolt	2
30	2436.562.0010.00.00	Silver Paper	1
31	2400.562.001V.00.02	Muffler Exhaust Lower Cover Assembly	1
32	2428.562.001V.D7.00	Muffler Lower Cover	1
33	5787.06012.00.07	Bolt	2
34	5787.08042.00.01	Bolt	2
35	5787.08020.00.01	Bolt	3
36	3100.T92.001V.00.00	Exhaust Port Gasket	1
37	2400.562.001V.00.00	Noise Deadener	1
38	6177.08000.00.07	Nut	2
39	4100.700.M01V.20.07	Flat Gaske	4
40	5787.08025.00.07	Bolt	4
41	9757.562.002V.00.00	Baffle Plate Of Muffler Housing	1
42	5787.06012.00.07	Bolt	2

# GENERATOR

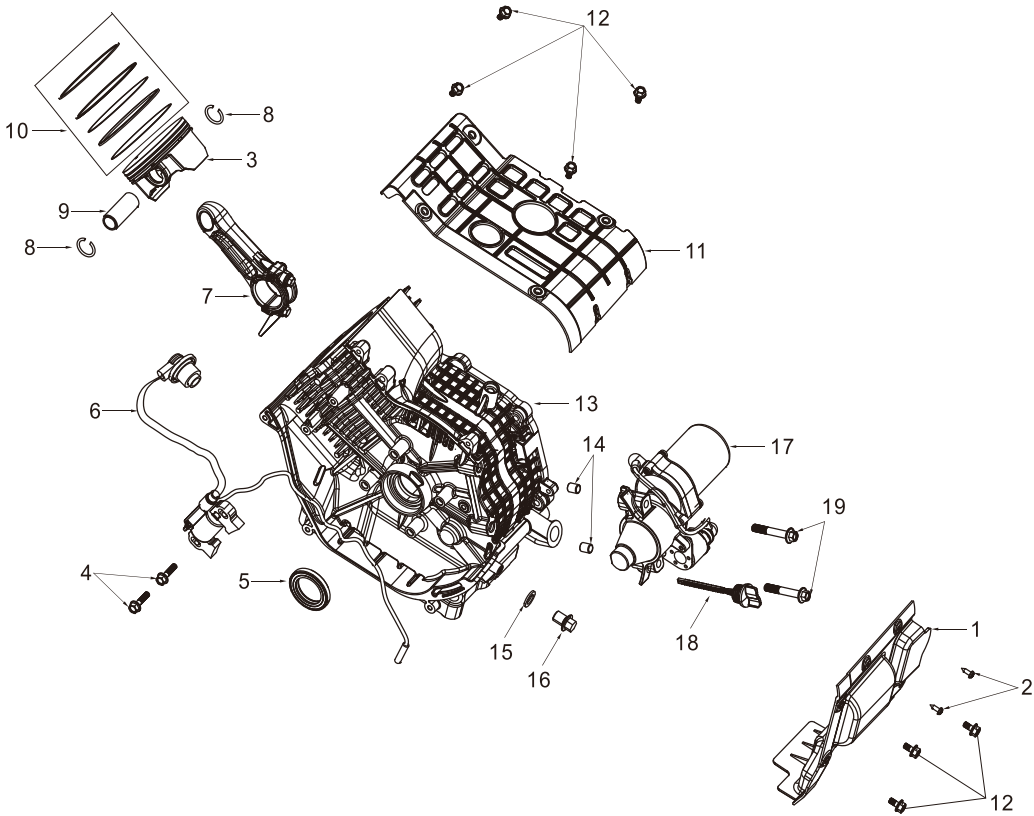
No.	Part No.	Description	Quantity
43	2400.562.001V.00.01	Muffler Exhaust Top Cover Assembly	1
44	5787.06025.00.07	Bolt	6
45	2433.562.001V.00.00	Muffler Air Hood	1
46	2319.562.001V.D7.00	Front And Rear Upper Beam	1
47	5787.06016.00.07	Bolt	2
48	6566.562.001V.00.00	Motor Cover Plate	1
49	5787.06020.00.07	Bolt	10
50	1360.452.0010.00.00	Twisted Wire Ring	1
51	2436.562.0020.00.00	Fuel Tank	1
52	2330.154.C020.00.21	Oil Tube	1
53	2330.562.C010.00.00	Fuel Oil Evaporation Collection Pipe	1
54	2360.458.R003V.00.00	Ferrule	3
55	2360.458.R011V.00.00	Ferrule	1
56	2360.458.R0150.00.00	Ferrule	1
57	3210.460.D01V.00.00	Fuel Tank Switch	1
58	3200.562.C01V.P4.00	Fuel Tank Assembly	1
59	3230.562.001V.04.00	Block Gine	1
60	0096.06000.00.07	Flat Gaske	4
61	5787.06025.00.07	Bolt	4
62	6178.06000.01.04	Nut	2
63	9674.562.001V.00.00	Upper Cover Plate	2
64	5787.06020.00.07	Bolt	4
65	5010.562.004V.00.00	Plug	4
66	6690.562.001V.00.00	Holder	2
67	6177.08000.00.07	Nut	8
68	6854.562.001V.00.00	Variable Voltage Rectifier	1
69	3410.467.0040.00.00	Ground Lead	1
70	5787.06016.00.07	Bolt	1
71	1616.562.001V.D7.00	Left And Right Beam	1
72	5787.08020.00.07	Bolt	4
73	5787.08040.00.07	Bolt	1
74	4100.700.M01V.20.07	Flat Gaske	2
75	1220.528.R0010.00.00	Tension Disc	1
76	6177.08000.00.07	Nut	1
77	2335.562.0010.00.00	Corrugated Pipe	1
78	2335.458.008V.00.00	Corrugated Pipe	1
79	4080.520.001V.04.00	Cingulum	10
80	5010.562.003V.00.00	Plug	1
81	5010.562.007V.00.00	Plug	1
82	2222.562.001V.00.00	Right Shell	1
83	6178.06000.01.04	Nut	3
84	5787.06020.00.07	Bolt	6



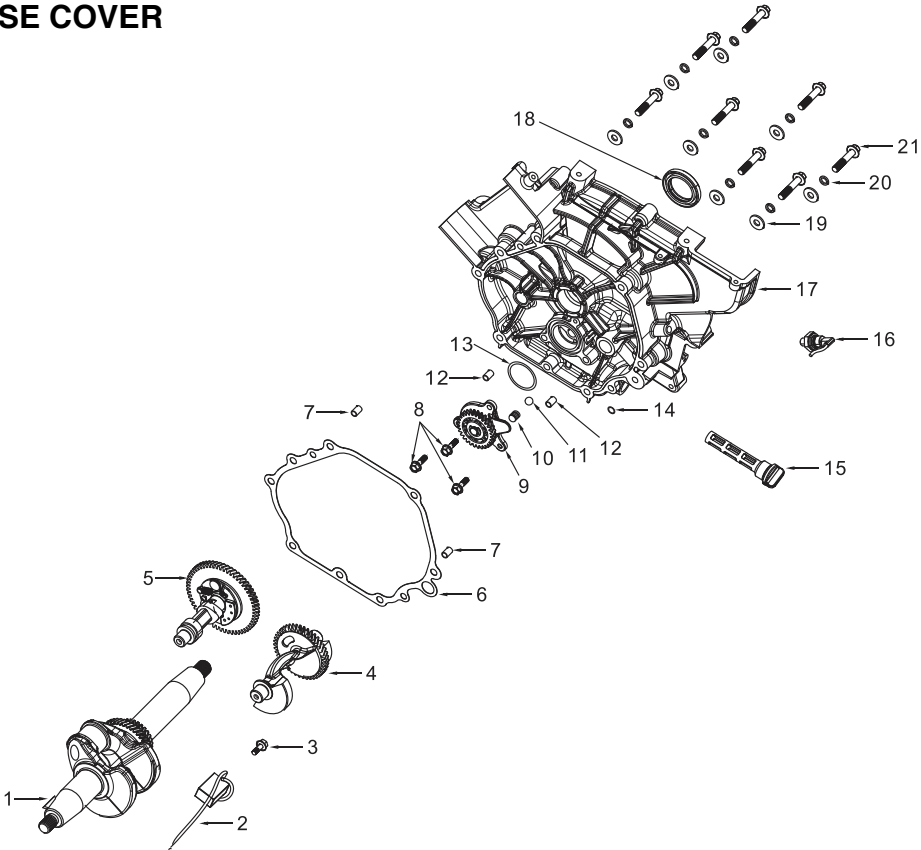
# GENERATOR

No.	Part No.	Description	Quantity
85	5010.562.001V.00.00	Plug	1
86	5596.562.0010.P4.00	Right Exterior Cover Plate	1
87	5787.06020.00.07	Bolt	3
88	2004.168.0100.00.00	Hand Shank	1
89	2319.562.001V.D7.00	Front And Rear Upper Beam	1
90	5787.06016.00.07	Bolt	2
91	2319.562.002V.D7.00	Bottom End Rail	1
92	5787.06016.00.07	Bolt	2
93	3370.562.0020.00.99	Panel	1
94	5787.06030.00.07	Bolt	4
95	0234.562.0010.00.00	Temperature Sensor	1
96	2002.562.001V.00.00	Wind Scooper	1
97	5787.06016.00.07	Bolt	1
98	8452.562.001V.D7.00	Inverter Left Bracket	1
99	8452.562.002V.D7.00	Inverter Right Bracket	1
100	2470.562.0010.00.00	Inverter	1
101	6177.06000.00.07	Nut	4
102	5787.06020.00.07	Bolt	4
103	3370.562.001V.04.12	Block Gine	1
104	6656.562.001V.00.00	Inverter Overlay Board Assembly	1
105	5787.06020.00.07	Bolt	8
106	2129.562.002V.D7.00	Fixing Seat (Right)	1
107	2129.562.001V.D7.00	Fixing Seat (Left)	1
108	5787.08025.00.07	Bolt	4
109	6177.10000.05.07	Nut	2
110	5960.562.001V.00.00	Handle Pin	2
111	7374.460.001v.00.00	Quick Release Pin	1
112	4100.460.002V.20.00	Non-Standard Flat Pad	1
113	0366.168.001V.00.00	Nut	1
114	4821.562.001V.00.00	Handle Pipe Assembly	1
115	7136.562.001V.00.00	Hand The Glue Sets	2
116	6690.562.001V.00.00	Holder	2
117	6177.08000.00.07	Nut	8
118	1616.562.001V.D7.00	Left And Right Beam	1
119	5787.08020.00.07	Bolt	4
120	5010.562.007V.00.00	Plug	1
121	5010.562.003V.00.00	Plug	1
122	2220.562.001V.00.00	Left Shell	1
123	6178.06000.01.04	Nut	3
124	5787.06020.00.07	Bolt	6
125	5596.562.0020.P4.00	Left Exterior Cover Plate	1
126	5787.06020.00.07	Bolt	3

# CRANKCASE



# CRANKCASE COVER



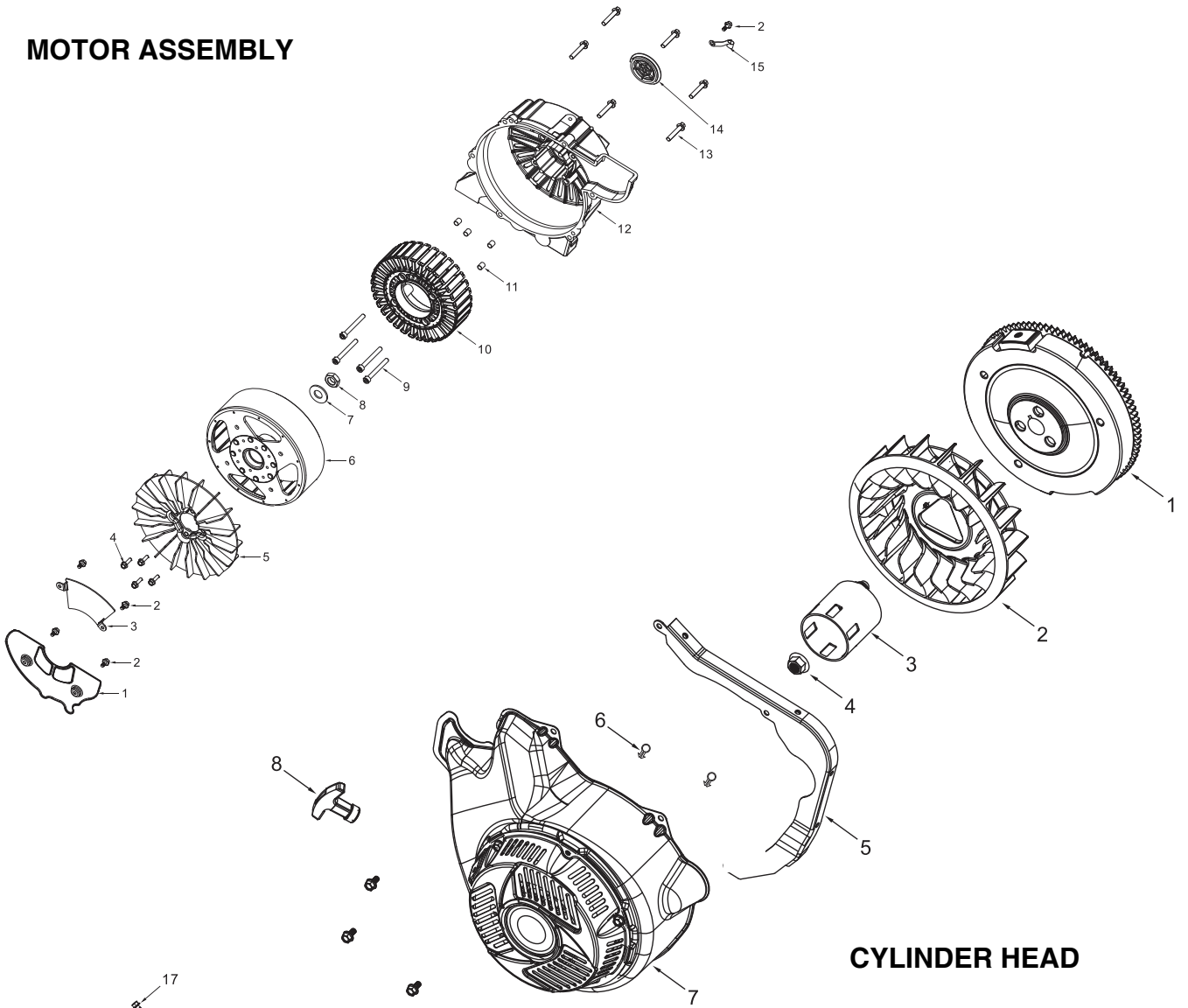
## CRANKCASE

No.	Part No.	Description	Quantity
1	5313.B03.0010.00.00	Starter Motor Cover	1
2	0845.42013.00.01	Bolt	2
3	0200.T92.001V.00.00	Piston	1
4	5787.06025.00.01	Bolt	2
5	3150.188.002V.00.00	Oil Seal	1
6	2100.B03.0020.00.00	Igniter	1
7	0190.T92.001V.00.00	Connecting Rod Assembly	1
8	0230.188.001V.00.00	Clip,Piston Pin	2
9	0220.T92.001V.00.00	Piston Pin	1
10	0210.T92.001V.00.00	Piston Ring Ass.	1
11	8654.B03.0010.00.00	Case Cover	1
12	5787.06012.00.01	Bolt	7
13	1000.T92.0040.00.00	Crankcase Body	1
14	3170.T92.002V.00.00	Set Pin	2
15	1260.188.001V.66.00	Gasket For Oil Drain Bolt	1
16	1250.188.001V.00.20	Bolt	1
17	2070.T92.A02V.00.00	Cranking Motor	1
18	1230.T92.001V.16.00	Oil Gauge Ass.	1
19	5787.08050.00.01	Bolt	2

## CRANKCASE COVER

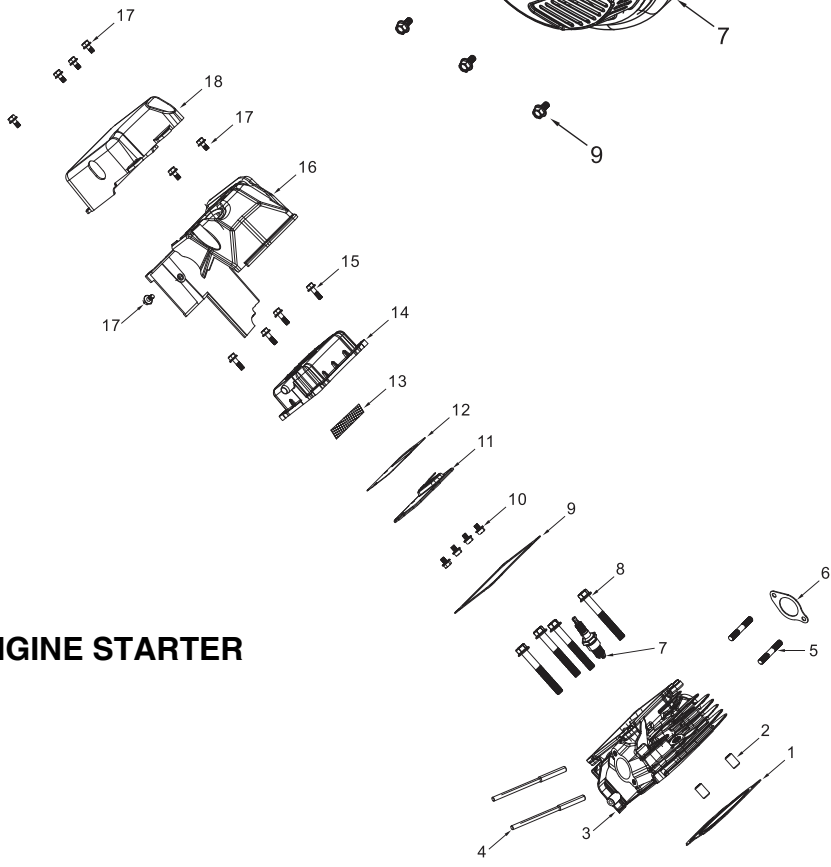
No.	Part No.	Description	Quantity
1	0180.B03.0010.60.00	Grankshaft Ass.	1
2	0135.T92.0041.00.00	Oil Alarm Module	1
3	5787.06016.00.01	Bolt	1
4	1060.T92.001V.00.00	Balance Shaft	1
5	1040.T92.001V.61.00	Camshaft Ass.	1
6	3040.T92.001V.00.00	Crankcase Mat	1
7	3170.188.001V.00.00	Set Pin	2
8	5787.06020.00.01	Bolt	3
9	6240.T92.001V.00.00	Oil Pump Assembly	1
10	1150.T92.002V.00.00	Oil Pump Valve Spring	1
11	1900.T92.001V.00.00	Steel Ball	1
12	3170.T92.R001V.00.00	Set Pin	2
13	3130.T92.002V.00.00	O Rubber Ring For Oil Pump	1
14	3130.T92.001V.00.00	Case O Rubber Ring	1
15	1240.T92.001V.00.00	Oil Filter Plug	1
16	1020.T92.001V.00.00	Oil Alarm	1
17	1010.B03.0010.00.00	Crankcase Cover	1
18	3150.188.002V.00.00	Oil Seal	1
19	0097.08000.00.01	Flat Washer	8
20	0093.08000.00.01	Spring Washer	8
21	5787.08042.00.01	Bolt	8

# MOTOR ASSEMBLY



# CYLINDER HEAD

# ENGINE STARTER



# MOTOR ASSEMBLY

No.	Part No.	Description	Quantity
1	2230.B03.0010.00.00	Wind Deflector A	1
2	5787.06012.00.01	Bolt	5
3	2230.B03.0020.00.00	Wind Deflector B	1
4	5787.06020.00.01	Bolt	4
5	2030.562.0010.00.00	Fan	1
6	4000.562.0010.00.01	Motor Rotor Assembly	1
7	4100.562.001V.00.00	Flat Gasket	1
8	6177.18000.06.07	Nut	1
9	0070.08070.00.04.01	Bolt	4
10	4000.562.0030.00.02	Motor Stator Assembly	1
11	3170.T92.002V.00.00	Set Pin	4
12	4060.562.001V.77.00	Generator Back Cover	1
13	5787.08042.00.01	Bolt	6
14	5010.562.002V.00.00	Plug	1
15	1220.528.R0010.00.00	Tension Disc	1

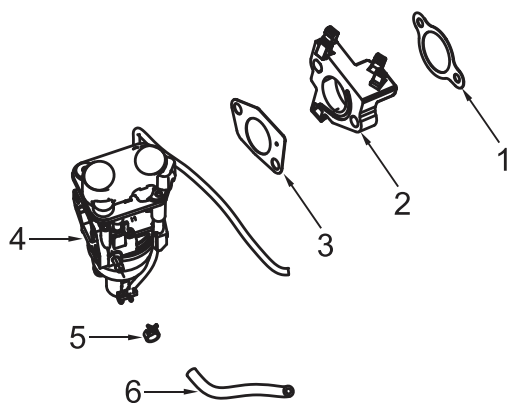
# CYLINDER HEAD

No.	Part No.	Description	Quantity
1	3020.T92.001V.00.00	Cylinder head gasket	1
2	3170.188.002V.00.00	Set pin	2
3	0010.T92.001V.00.00	Cylinder head	1
4	0900.68105.00.01	Bolt	2
5	0900.08037.00.01	Bolt	2
6	3100.T92.001V.00.00	Exhaust port gasket	1
7	2160.168.006V.00.00	Spark plug	1
8	M5787.10080.05.10	Bolt	4
9	3000.T92.001V.00.00	Cylinder head cover pad	1
10	5787.06008.00.01	Bolt	4
11	7061.T92.001V.00.00	Breathing valve plate assembly	1
12	7061.T92.002V.00.00	Breathing valve pad	1
13	7080.T92.001V.00.00	Fuel filter	1
14	0001.T92.001V.00.00	Cylinder head cover	1
15	5787.06020.00.01	Bolt	4
16	2190.B03.0010.00.00	Cylinder head air hood	1
17	5787.06012.00.01	Bolt	7
18	5314.B03.0010.00.00	Cylinder head cover outer cover	1

# ENGINE STARTER

No.	Part No.	Description	Quantity
1	2040.T92.004V.00.00	Flywheel Components	1
2	2030.T92.001V.63.00	Flywheel Fan	1
3	2020.T92.001V.00.00	Starting Sleeve	1
4	6177.16000.06.01	Nut	1
5	1005.B03.0010.00.00	Mounting Plate	1
6	2365.188.002V.00.00	Ply-Yarn Drill	2
7	2000.T92.2010.04.02	Initiator	1
8	2004.168.0100.00.00	Hand Shank	1
9	5787.06012.00.01	Bolt	5

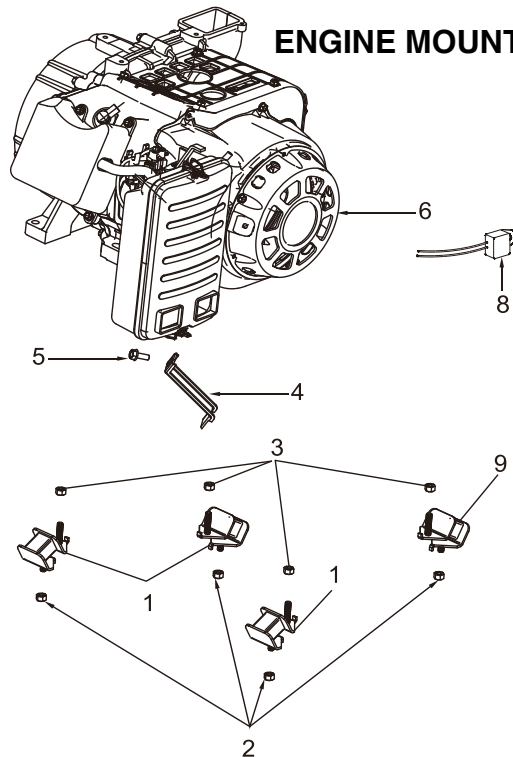
## CARBURETOR



## AIR FILTER



## ENGINE MOUNT



## CARBURETOR

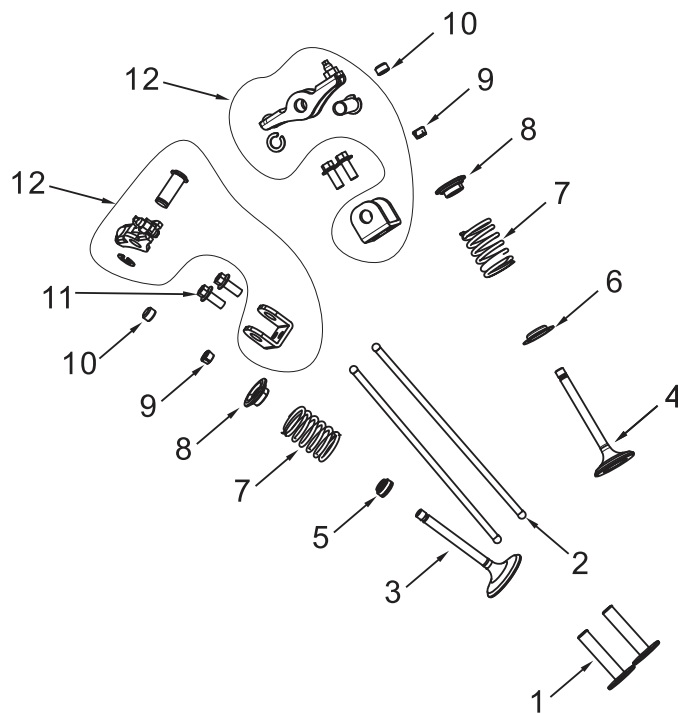
No.	Part No.	Description	Quantity
1	3060.T92.001V.00.00	Intake Gasket	1
2	2300.T92.004V.00.00	Carburetor Block	1
3	3080.T92.001V.00.00	Gasket, Carburetor	1
4	2260.B03.0050.00.00	Carburetor Ass.	1
5	2360.458.R003V.00.00	Ferrule	1
6	2330.154.C06V.00.22	Oil Tube	1

## AIR FILTER

No.	Part No.	Description	Quantity
1	6177.06000.00.01	Nut	2
2	2280.T92.C02V.00.00	Air Cleaner Ass.	1
3	3090.188.005V.00.00	Air Filter Gasket	1
4	2370.T92.001V.00.00	Exhaust Pipe	1

# AIR DISTRIBUTION

No.	Part No.	Description	Quantity
1	1030.188.001V.00.00	Tappet	2
2	0160.T92.002V.00.00	Pusher	2
3	0020.T92.001V.00.00	Intake Valve	1
4	0030.T92.001V.00.00	Exhaust Valve	1
5	0085.188.001V.00.00	Oil Seal,Intake Valve	1
6	0080.188.001V.00.00	Exhaust Valve Spring Lower Seat	1
7	0040.T92.001V.00.00	Valve Spring	2
8	0060.T92.001V.00.00	Valve Spring Seat	2
9	1120.T92.001V.00.00	Valve Collet	4
10	0090.188.001V.00.00	Valve Top Cap	2
11	5787.06012.00.10	Bolt	4
12	0100.T92.001V.00.00	Rocker Ass.	2



# ENGINE MOUNT

No.	Part No.	Description	Quantity
1	3350.520.003V.00.01	Shock-Absorbing Seat A	3
2	6177.08000.00.07	Nut	4
3	6177.10000.05.07	Nut	4
4	2290.T92.001V.00.00	Air Filter Holder	1
5	5787.06016.00.07	Bolt	1
6	BP00.092.001.02	Engine	1
7	1360.452.0010.00.00	Twisted Wire Ring	1
8	3524.460.0060.00.00	Tamper-Proof Device	1
9	3350.562.0010.00.01	Shock-Absorbing Seat	1

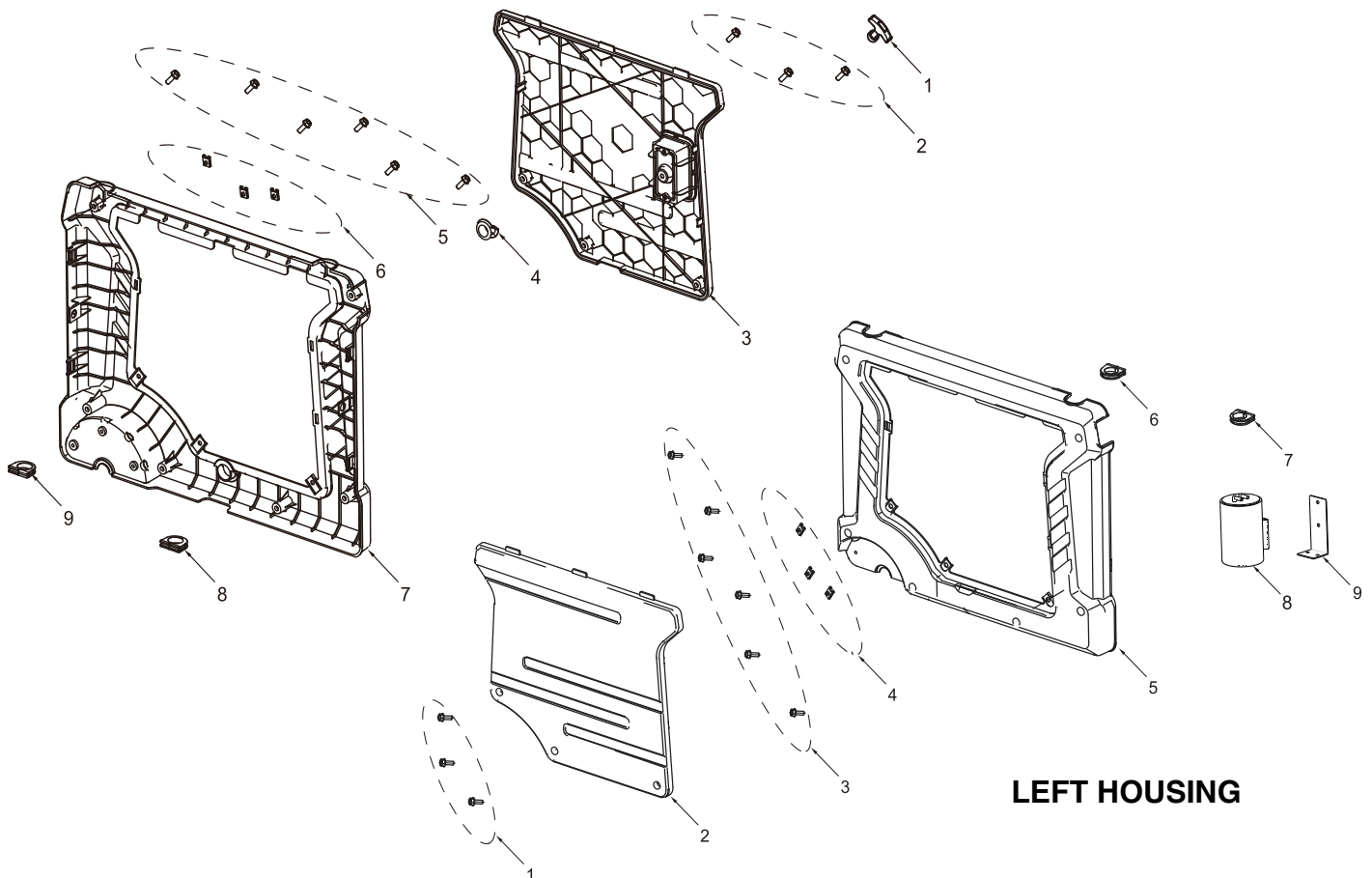
# RIGHT HOUSING

No.	Part No.	Description	Quantity
1	3350.520.003V.00.01	Shock-Absorbing Seat A	3
2	5787.06020.00.07	Bolt	3
3	5596.562.0010.A3.00	Right Exterior Cover Plate	1
4	5010.562.001V.00.00	Plug	1
5	5787.06020.00.07	Bolt	6
6	6178.06000.01.04	Nut	3
7	2222.562.0020.00.00	Right Shell	1
8	5010.562.007V.00.00	Plug	1
9	5010.562.003V.00.00	Plug	1

# LEFT HOUSING

No.	Part No.	Description	Quantity
1	5787.06020.00.07	Bolt	3
2	5596.562.0020.A6.00	Left Exterior Cover Plate	1
3	5787.06020.00.07	Bolt	6
4	6178.06000.01.04	Nut	3
5	2220.562.0020.00.00	Left Shell	1
6	5010.562.003V.00.00	Plug	1
7	5010.562.007V.00.00	Plug	1
8	4440.520.0050.00.00	Canister	1
9	4441.562.0020.D7.00	Carbon Tank Bracket	1

## RIGHT HOUSING

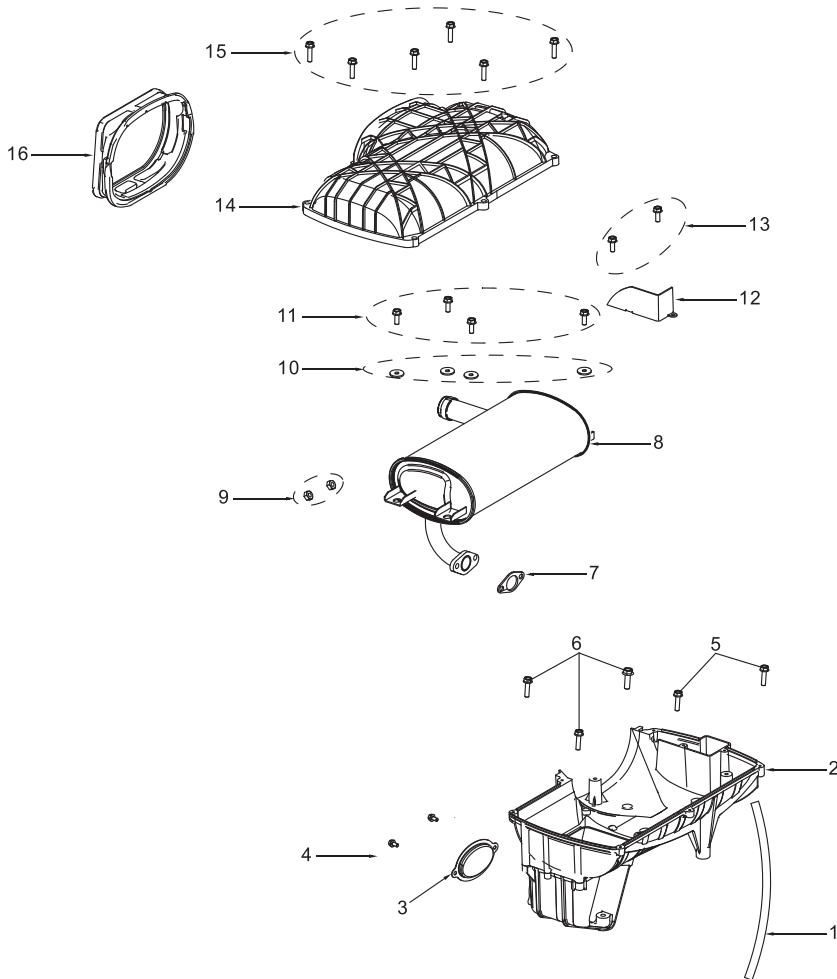


## LEFT HOUSING



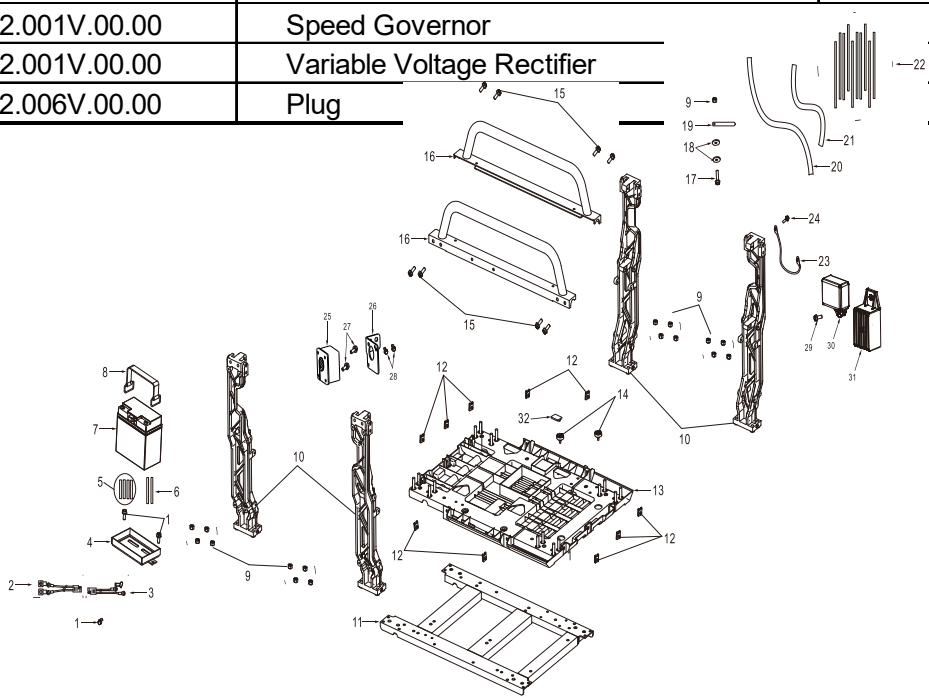
# MUFFLER

No.	Part No.	Description	Quantity
1	2436.562.0020.00.00	Silver Paper	1
2	2400.562.001V.00.02	Muffler Exhaust Lower Cover Assembly	1
3	2428.562.001V.D7.00	Muffler Lower Cover	1
4	5787.06012.00.07	Bolt	2
5	5787.08042.00.01	Bolt	2
6	5787.08020.00.01	Bolt	3
7	3100.T92.001V.00.00	Exhaust Port Gasket	1
8	2400.562.001V.00.00	Noise Deadener	1
9	6177.08000.00.07	Nut	2
10	4100.700.M01V.20.07	Flat Gaske	4
11	5787.08025.00.07	Bolt	4
12	9757.562.002V.00.00	Baffle Plate Of Muffler Housing	1
13	5787.06012.00.07	Bolt	2
14	2400.562.001V.00.01	Muffler Exhaust Top Cover Assembly	1
15	5787.06025.00.07	Bolt	6
16	2433.562.001V.00.00	Muffler Air Hood	1



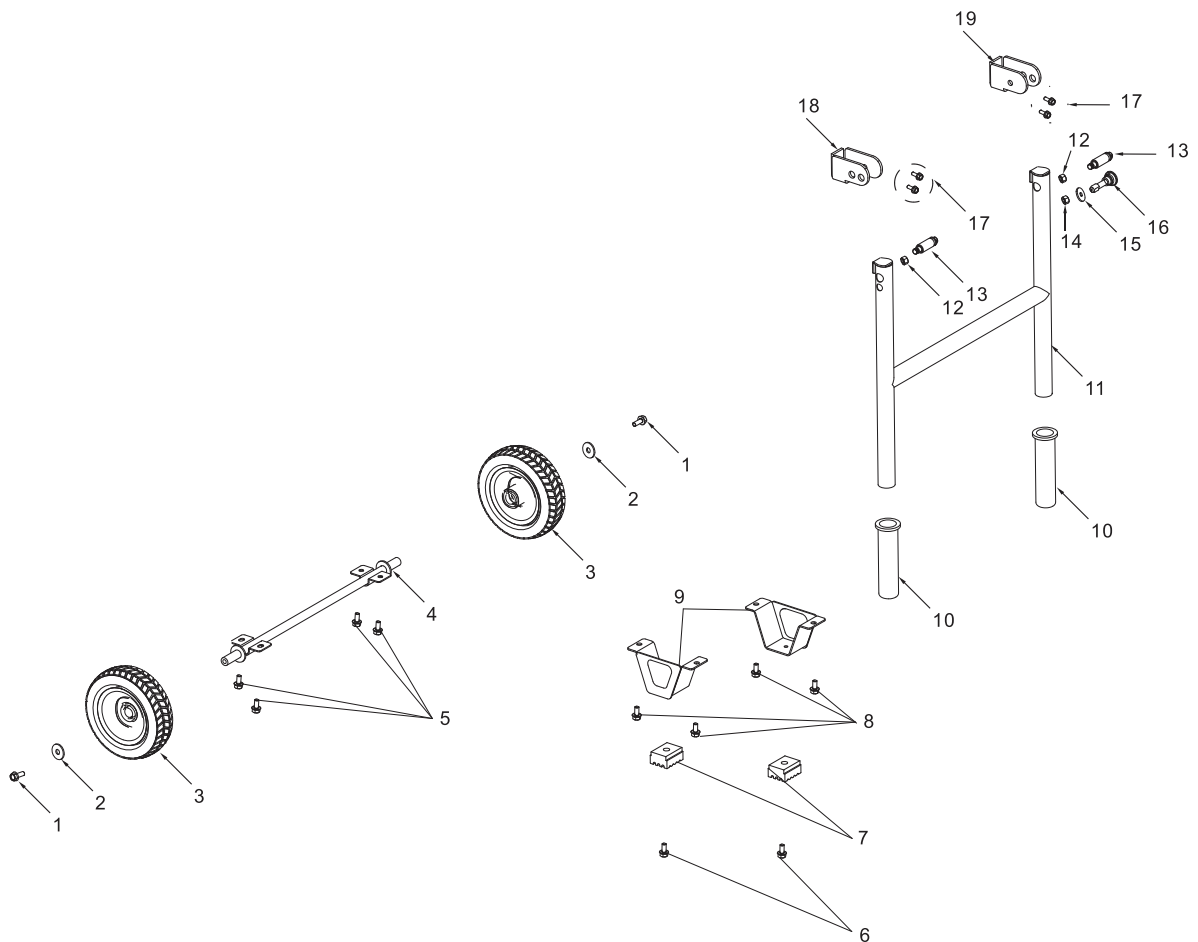
# FRAME

No.	Part No.	Description	Quantity
1	5787.06016.00.07	Bolt	3
2	6951.562.0020.00.00	Battery Wiring Harness	1
3	6951.562.0030.00.00	Battery Wiring Harness	1
4	3331.J01.0010.04.01	Battery Pack	1
5	2757.562.0010.00.00	Battery Protection Pad A	4
6	2757.562.0020.00.00	Battery Protection Pad B	2
7	2460.562.001V.00.00	Storage Battery	1
8	9575.562.001V.00.00	Battery Band	1
9	6177.08000.00.07	Nut	17
10	6690.562.001V.00.00	Holder	4
11	3340.562.002V.D7.00	Baseplate	1
12	6178.06000.01.04	Nut	10
13	3340.562.001V.63.00	Baseplate	1
14	5010.562.005V.00.00	Plug	2
15	5787.08020.00.07	Bolt	8
16	1616.562.001V.D7.00	Left And Right Beam	1
17	5787.08040.00.07	Bolt	1
18	4100.700.M01V.20.07	Flat Gaske	2
19	1220.528.R0010.00.00	Tension Disc	1
20	2335.562.0010.00.00	Corrugated Pipe	1
21	2335.458.008V.00.00	Corrugated Pipe	1
22	4080.520.001V.04.00	Cingulum	10
23	3410.562.0010.00.00	Ground Lead	1
24	5787.06016.00.07	Bolt	1
25	5528.460.0011.00.00	Co Alarm	1
26	5529.562.0010.D7.00	Holder	1
27	6111.469.0020.00.00	Bolt	2
28	6111.469.0010.00.00	Bolt	2
29	5787.06025.00.07	Bolt	1
30	1021.562.001V.00.00	Speed Governor	1
31	6854.562.001V.00.00	Variable Voltage Rectifier	1
32	5010.562.006V.00.00	Plug	1



# WHEELS & HANDRAIL

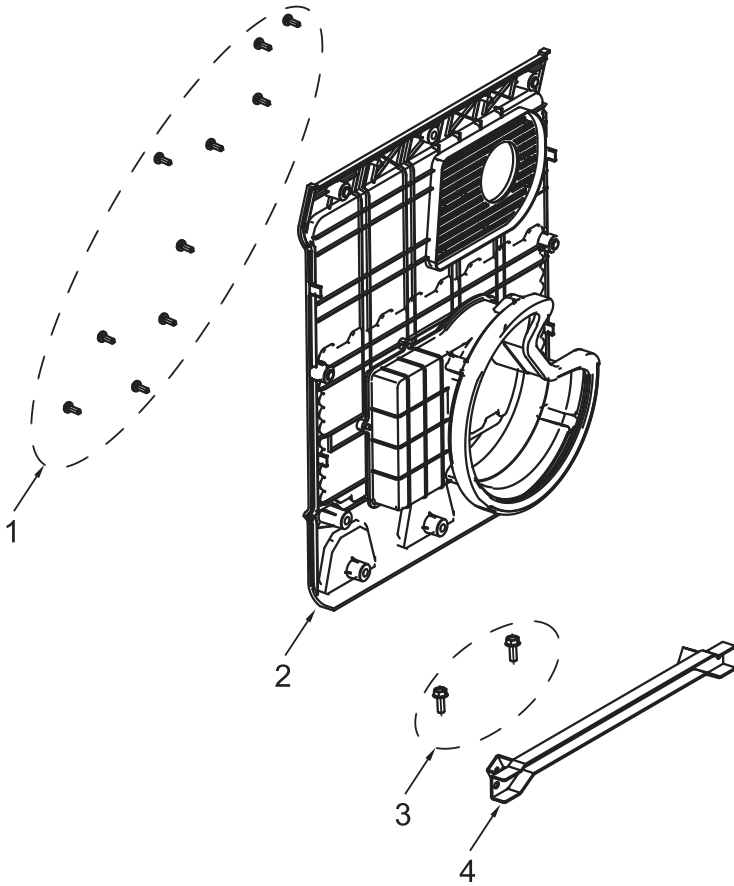
No.	Part No.	Description	Quantity
1	5787.08016.00.07	Bolt	2
2	4100.700.M01V.20.07	Flat Gaske	2
3	3332.562.0010.00.00	Wheel	2
4	3335.562.0010.00.00	Axle	1
5	5787.08016.00.07	Bolt	4
6	5787.06025.00.07	Bolt	2
7	3360.460.002V.00.00	Shock Pad	2
8	5787.08012.00.07	Bolt	4
9	3334.562.001V.04.00	Supporting Seat	2
10	7136.562.001V.00.00	Hand The Glue Sets	2
11	4821.562.001V.00.00	Handle Pipe Assembly	1
12	6177.10000.05.07	Nut	2
13	5960.562.001V.00.00	Handle Pin	2
14	0366.168.001V.00.00	Nut	1
15	4100.460.002V.20.00	Non-Standard Flat Pad	1
16	7374.460.001V.00.00	Quick Release Pin	1
17	5787.08025.00.07	Bolt	4
18	2129.562.0030.D7.00	Fixing Seat (Right)	1
19	2129.562.001V.D7.00	Fixing Seat (Left)	1



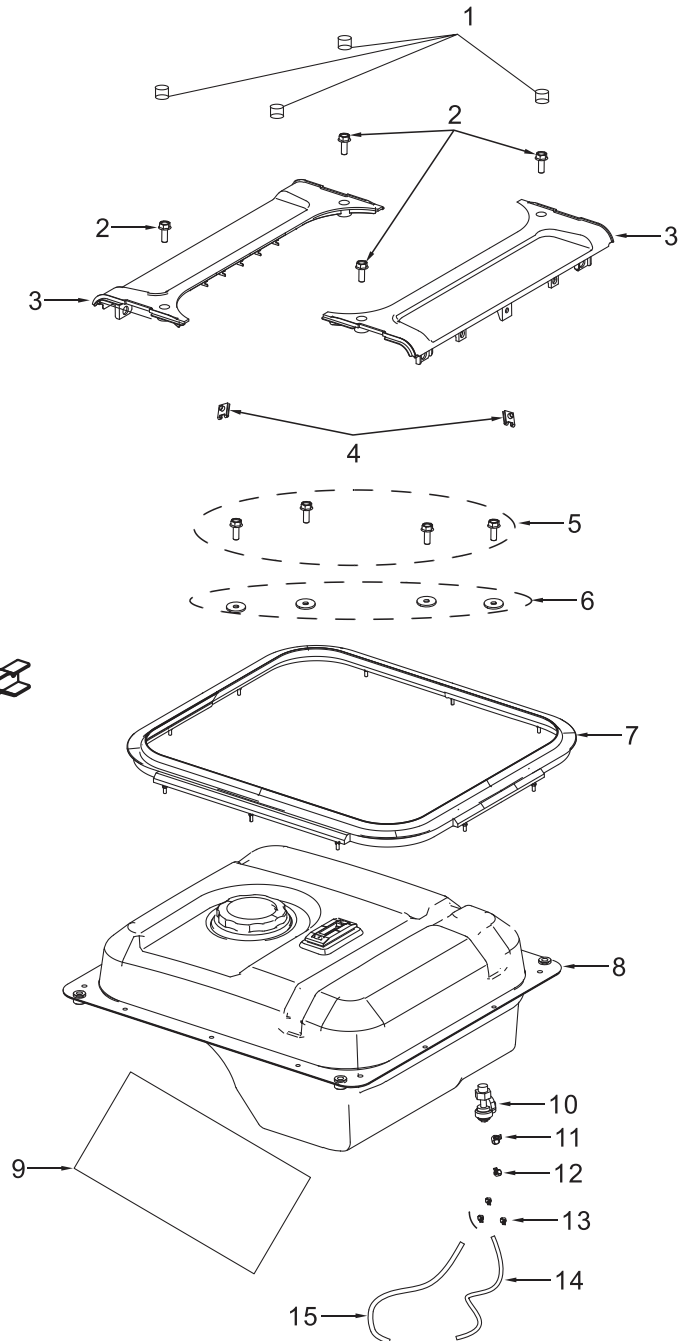
# BACK COVER

No.	Part No.	Description	Quantity
1	5787.06020.00.07	Bolt	10
2	6566.562.001V.00.00	Motor Cover Plate	1
3	5787.06016.00.07	Bolt	2
4	2319.562.001V.D7.00	Front And Rear Upper Beam	1

## BACK COVER

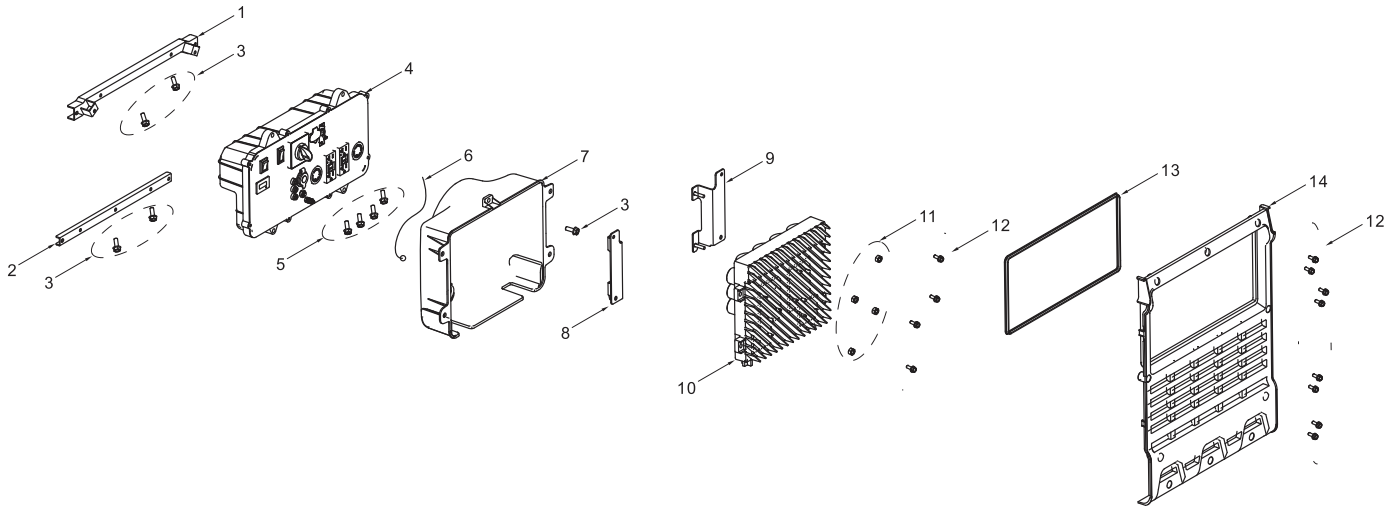


## FUEL TANK



## CONTROL PANEL

No.	Part No.	Description	Quantity
1	2319.562.001V.D7.00	Front And Rear Upper Beam	1
2	2319.562.002V.D7.00	Bottom End Rail	1
3	5787.06016.00.07	Bolt	5
4	3370.562.0290.00.99	Panel	1
5	5787.06030.00.07	Bolt	4
6	0234.562.0020.00.00	Temperature Sensor	1
7	2002.562.001V.00.00	Wind Scooper	1
8	8452.562.001V.D7.00	Inverter Left Bracket	1
9	8452.562.002V.D7.00	Inverter Right Bracket	1
10	2470.562.0011.00.00	Inverter	1
11	6177.06000.00.07	Nut	4
12	5787.06020.00.07	Bolt	12
13	3370.562.001V.04.12	Block Gine	1
14	6656.562.001V.00.00	Inverter Overlay Board Assembly	1



## FUEL TANK

No.	Part No.	Description	Quantity
1	5010.562.004V.00.00	Plug	4
2	5787.06020.00.07	Bolt	4
3	9674.562.001V.00.00	Upper Cover Plate	2
4	6178.06000.01.04	Nut	2
5	5787.06025.00.07	Bolt	4
6	0096.06000.00.07	Flat Gaske	4
7	3230.562.001V.04.00	Block Gine	1
8	3200.562.C020.A6.00	Fuel Tank Assembly	1
9	2436.562.0020.00.00	Fuel Tank	1
10	3210.460.D01V.00.00	Fuel Tank Switch	1
11	2360.458.R006V.00.00	Ferrule	1
12	2360.458.R011V.00.00	Ferrule	1
13	2360.458.R003V.00.00	Ferrule	3
14	2330.562.C030.00.00	Fuel Oil Evaporation Collection Pipe	1
15	2330.154.C020.00.22	Oil Tube	1



## Power Your World

Tomahawk understands to keep a job-site running smoothly the proper equipment and spare parts are needed at the drop of a hat. With same day shipping and faster delivery times, count on Tomahawk to keep you powered throughout the day! With long lasting parts and engines, Tomahawk equipment will be the star of your fleet for years to come. Visit [www.tomahawk-power.com](http://www.tomahawk-power.com) to get started today!

# TOMAHAWK

TOMAHAWK®, LLC  
San Diego, CA

**Sales Support**  
(866) 577-4476  
[sales@tomahawk-power.com](mailto:sales@tomahawk-power.com)

**Equipment Support**  
(866) 577-4476  
[support@tomahawk-power.com](mailto:support@tomahawk-power.com)

[www.tomahawk-power.com](http://www.tomahawk-power.com)



**FACEBOOK**  
[facebook.com/TomahawkPowerUSA](https://facebook.com/TomahawkPowerUSA)

**YOUTUBE**  
[youtube.com/TomahawkPower](https://youtube.com/TomahawkPower)

**INSTAGRAM**  
[@tomahawkpower](https://instagram.com/tomahawkpower)