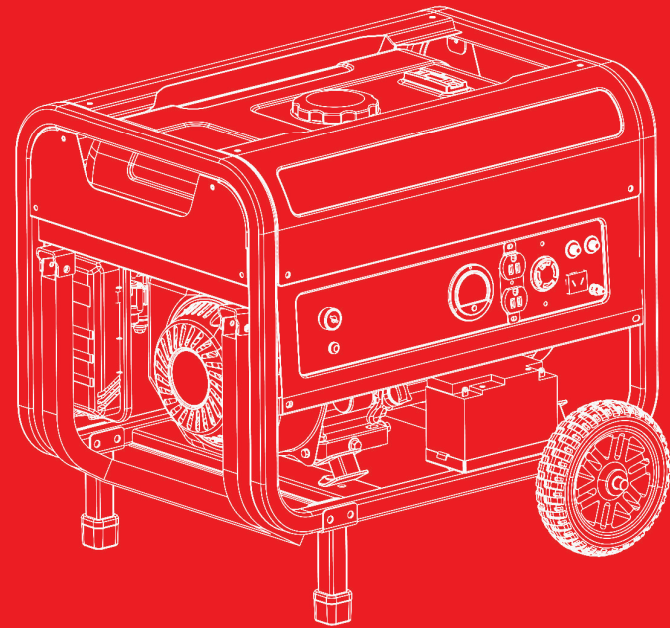




PARTS CATALOG

TG4000

GASOLINE GENERATOR SET

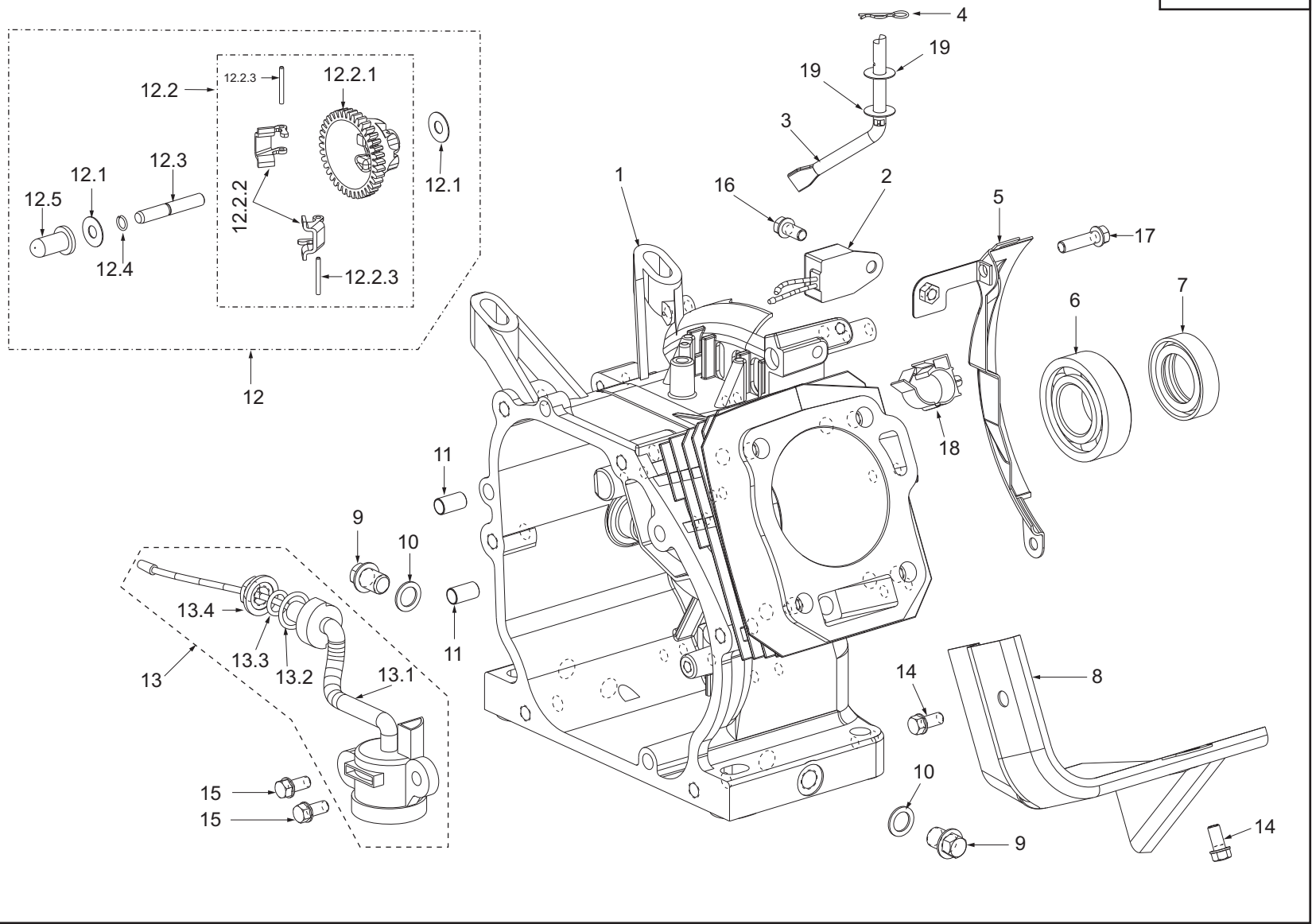


2018, SAN DIEGO, CALIFORNIA

TOMAHAWK POWER, LLC

CRANKCASE PARTS

PART 1

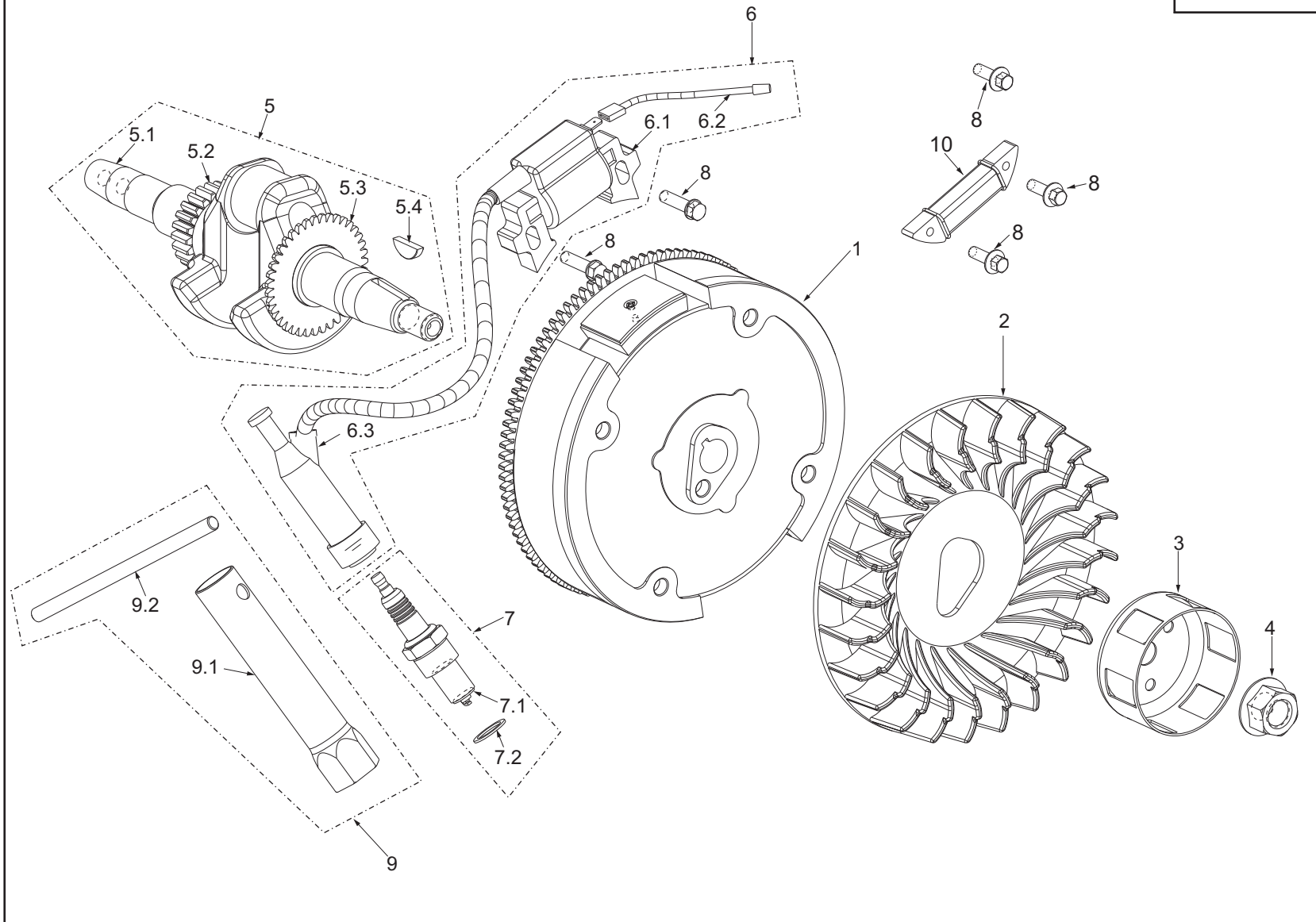


PART 1

Serial No .	Parts Code	Parts Name	Specification	Quantity		Remark
				The List	Total	
1	F68.1000.001.00.00	Crankcase body		1	1	
2	168.1200.001.00.00	Current amplifier		1	1	
3	168.1100.001.00.00	Swaybar		1	1	
4	168.1120.001.00.00	Split clip		1	1	
5	168.2232.001.00.00	Side plate		1	1	
6	168.0270.001.00.00	Ball bearing	6205	1	2	
7	168.3150.001.00.00	Oil seal	Ø25*41.25*6	1	2	
8	168.2230.001.00.00	Windguide		1	1	
9	168.1250.001.00.20	Drain bolt	M10*1.25*15	2	2	S=10
10	168.1260.001.66.00	Washer, Drain bolt	Ø10*Ø15*2	2	2	
11	168.3170.001.00.00	Set pin	Ø8*14	2	2	
12	168.1070.001.00.00	Centrifugal gear parts		1	1	
12.1	168.1110.001.67.00	Washer, Slip cap	Ø6*Ø15*0.5	2		65Mn
12.2	168.1070.001.00.01	Centrifugal gear ass.		1		
12.2.1	168.1070.001.00.02	Centrifugal gear		1		
12.2.2	168.1070.001.00.03	Centrifugal block	3.7	2		
12.2.3	168.1070.001.00.04	Pin, Centrifugal block	Ø2*19	2		
12.3	168.1070.001.00.05	Center axis	Ø6*39	1		17-1-21
12.4	168.1070.001.00.06	Clip, Center axis	Ø6.6*Ø1	1		
12.5	168.1070.001.00.07	Slip cap		1		
13	168.1020.002.00.00	Oil sensor ass.		1	1	
13.1	168.1020.002.00.01	Oil sensor body		1		
13.2	168.1020.002.00.02	O-ring	Ø17*Ø2	1		
13.3	168.1020.002.00.03	O-ring	Ø11*Ø2	1		
13.4	6170.10000.00.01	Nut	M10	1		
14	5787.06010.00.01	Bolt	M6*1 0	2	2	
15	5787.06014.00.01	Bolt	M6*14	2	2	
16	5787.06012.00.07	Bolt	M 6*12	1	27	
17	5787.06020.00.01	Bolt	M 6*20	1	1	
18	168.1000.001.00.00	Rubber wire hoop		1	1	
19	168.1110.001.67.00	Washer, Slip cap	Ø6*Ø15*0.5	2	2	65Mn

CRANSHAFT PARTS

PART 2

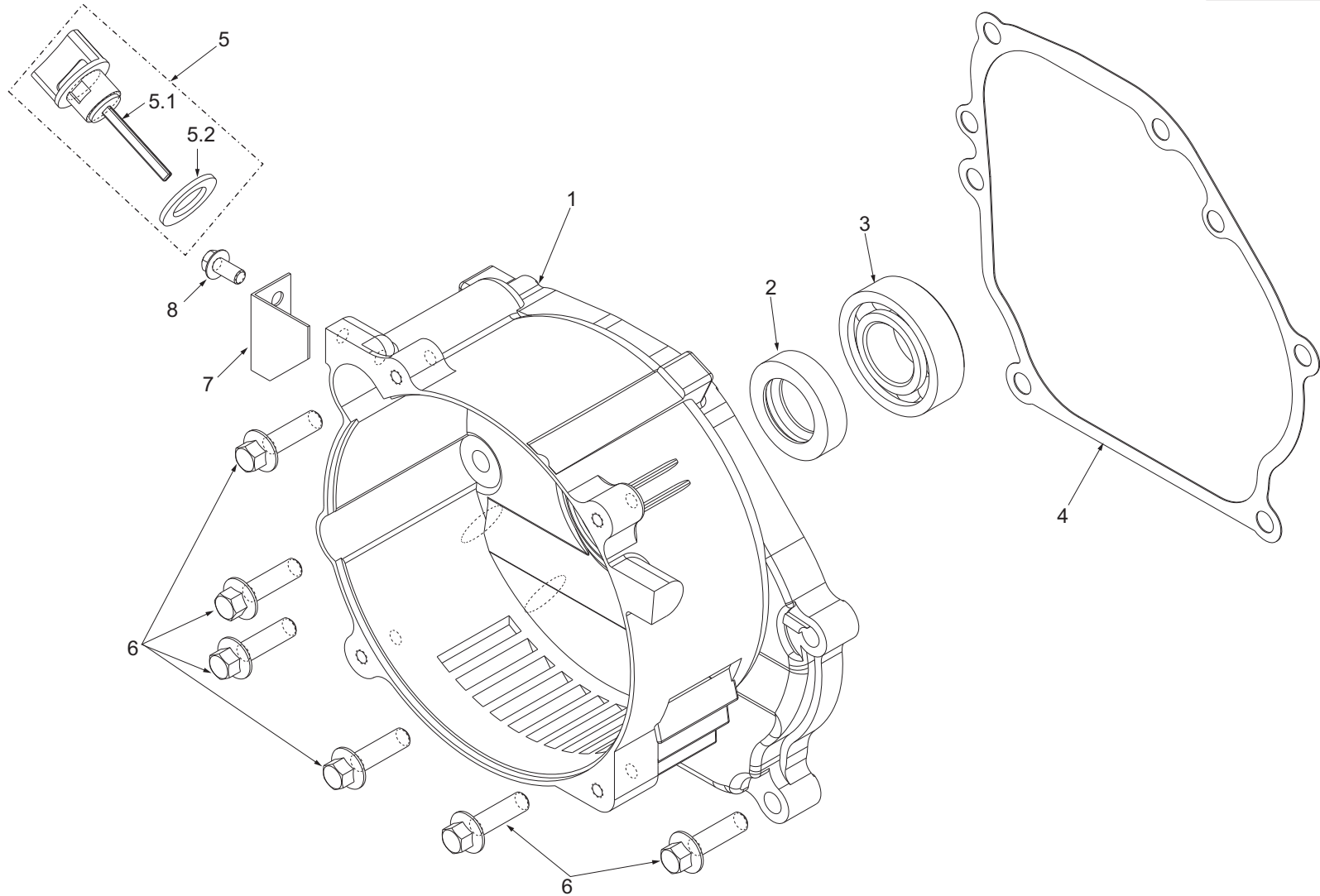


PART 2

Serial No.	Parts Code	Parts Name	Specification	Quantity		Remark
				The List	Total	
1	D68.2040.001.00.00	Flywheel ass		1	1	
2	D68.2030.001.63.00	Flywheel fan		1	1	
3	D68.2020.001.00.00	Starter sleeve		1	1	
4	6177.14000.06.01	NutFlywheel ass	M14*1.5	1	1	S=19
5	F68.0180.011.60.00	Crankshaft ass		1	1	
5.1	F68.0180.011.60.01	Crankshaft		1		
5.2	F68.0180.011.60.02	Timing gear		1		
5.3	F68.0180.011.60.03	Governor gear		1		
5.4	F68.0180.011.60.04	Woodruff key		1		B=4, L=13
6	168.2100.001.00.00	Ignition coilass.		1	1	
6.1	168.2100.001.00.01	Ignitioncoil		1		
6.2	168.2100.001.00.02	Stop lead		1		
6.3	168.2100.001.00.03	Spark plugcap		1		
7	168.2160.003.00.00	Spark plug ass	F6RTC	1	1	
7.1	168.2160.003.00.01	Spark plug		1		
7.2	168.2160.003.00.02	Washer, Spark plug	Φ 14*Φ 18*1	1		
8	5787.06025.00.01	M6*2.5		2	6	S=8
9	00.8000.0	Tools		1	1	
9.1	460.2180.001.00.00	Wrench, Spark plug	Φ 22*118	1		S=21
9.2	460.2180.001.00.01	handle	Φ 7*130	1		
10	D88.2050.001.00.00	charge coil	173FD-188FD	1	1	

CRANKCASE COVER PARTS

PART 3

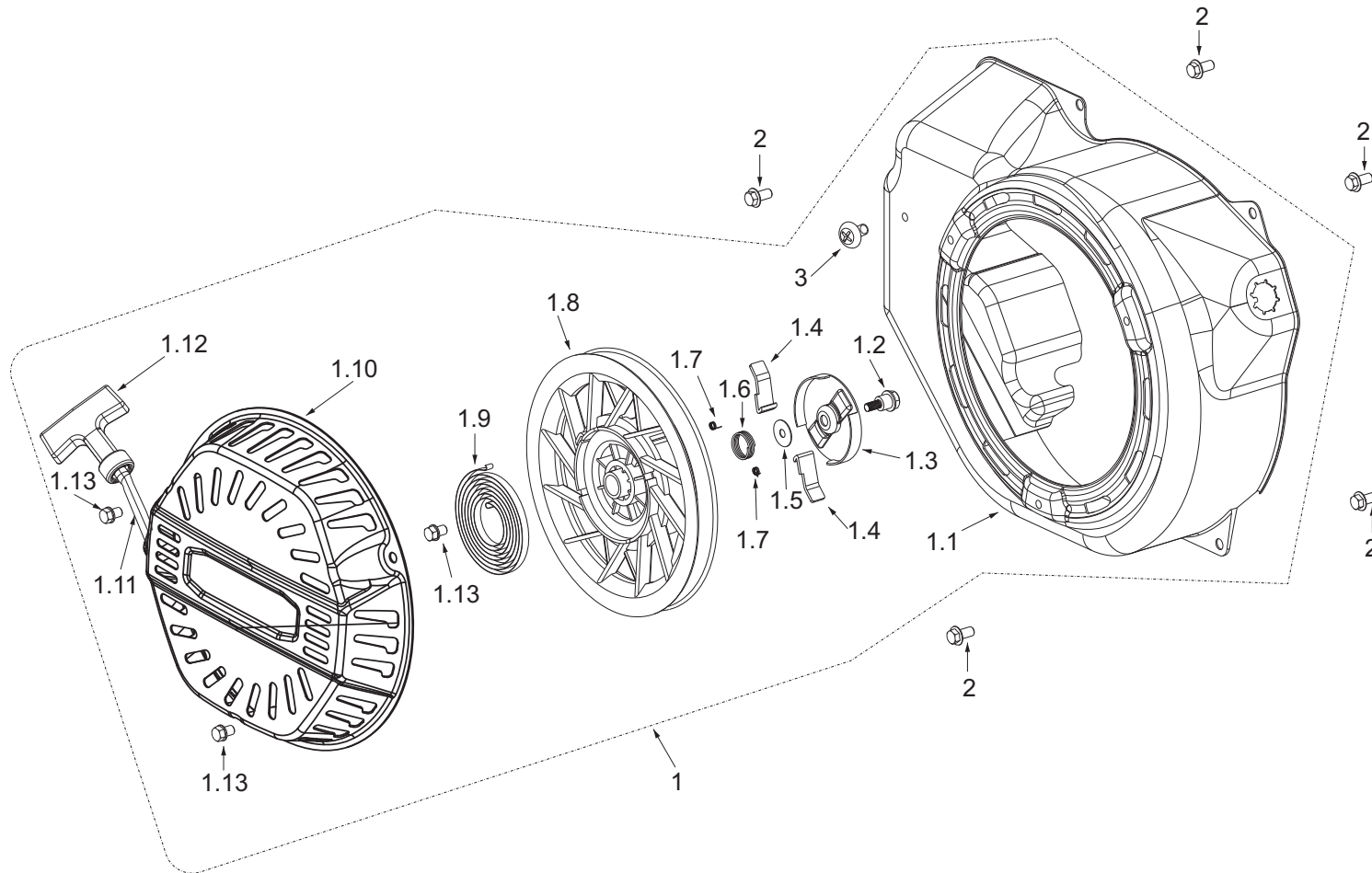


PART 3

Serial No	Parts Code	Parts Name	Specification	Quantity		Remark
				The List	Total	
1	168.1010.002.00.00	Crankcase cover		1	1	
2	168.3150.001.00.00	Oil seal	Φ 25*41.25*6	1	2	
3	168.0270.001.00.00	Ball bearing	6205	1	2	
4	168.3040.001.00.00	Gasket, Crankcase		1	1	
5	168.1230.001.00.00	Oil gauge ass	M 18*11.5	1	1	Pitch=2.5
5.1	168.1230.001.00.01	Oil gauge		1		
5.2	168.1230.001.00.02	Seal, Oil gauge	Φ 16* Φ 25*2	1		
6	5787.08030.00.01	Bolt	M8*30	6	6	S=10
7	460.2410.070.D7.00	Baffle		1	1	
8	5787.06012.00.01	Bolt	M6*12	1	27	S=8

RECOIL STARTER PARTS

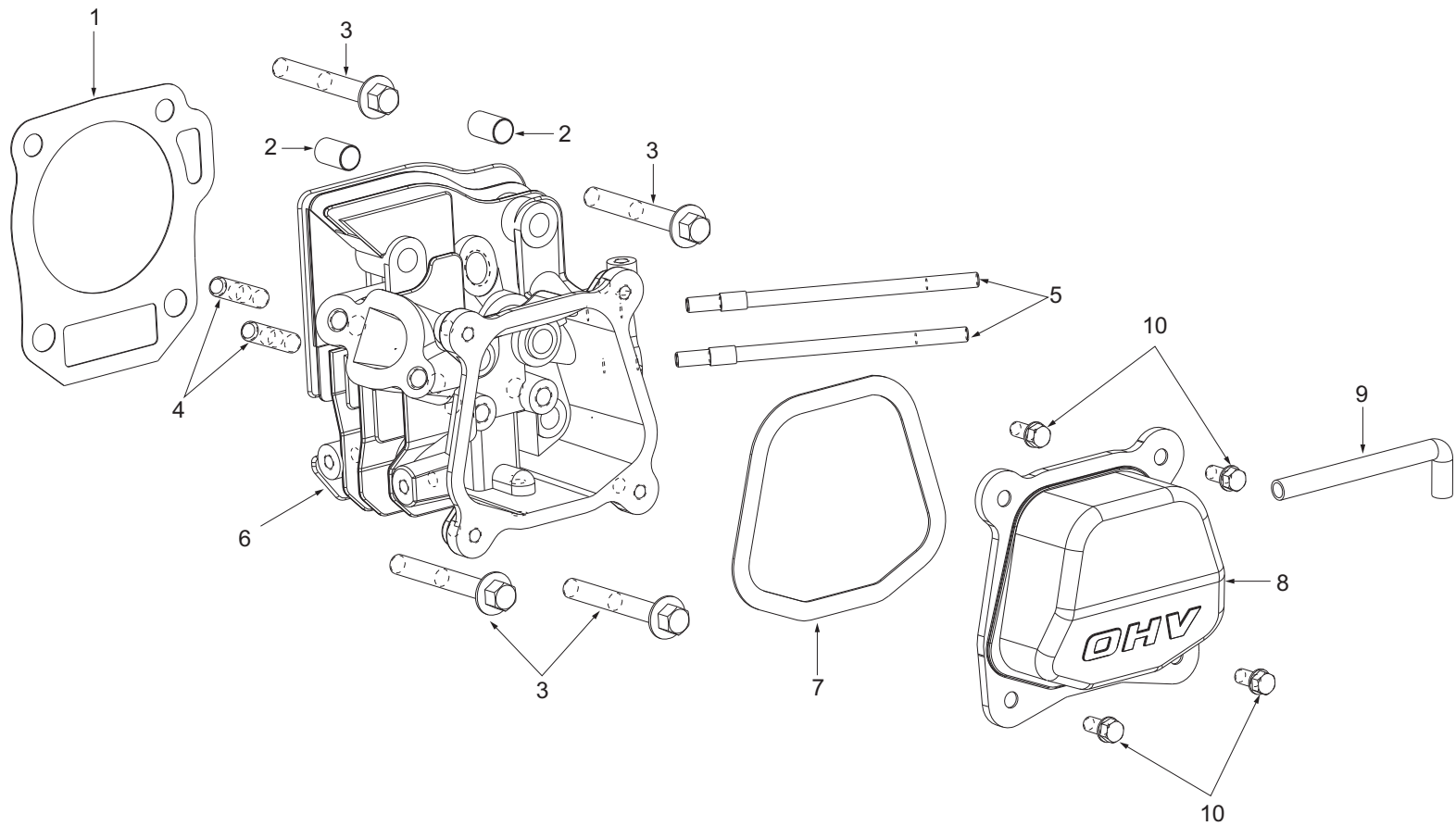
PART 4



Serial No	Parts Code	Parts Name	Specification	Quantity		Remark
				The List	Total	
1	D68.2000.071.D7.00	Recoil starterass.		1	1	
1.1	D68.2000.071.D7.01	Fan cover		1		
1.2	D68.2000.071.D7.02	Pivot bolt	M5*17	1		S=10
1.3	D68.2000.071.D7.03	Ratchet guide		1		
1.4	D68.2000.071.D7.04	Ratchet		2		
1.5	D68.2000.071.D7.05	Washer	Φ 5*Φ 17*0.5	1		
1.6	D68.2000.071.D7.06	Friction spring	Φ 16*Φ 1	1		5 Turns
1.7	D68.2000.071.D7.07	Ratchet spring	Φ 55*Φ 02	2		4.5 Turns
1.8	D68.2000.071.D7.08	Roller		1		
1.9	D68.2000.071.D7.09	Starter spring		1		
1.10	D68.2000.071.D7.10	Starter cover		1		
1.11	D68.2000.071.D7.11	Rope		1		
1.12	D68.2000.071.D7.12	Pulling handle		1		
1.13	5787.06008.00.01	Bolt	M6*8	3		
2	5787.06012.00.01	Bolt	M6*12	4	27	

CYLINDER HEAD PARTS

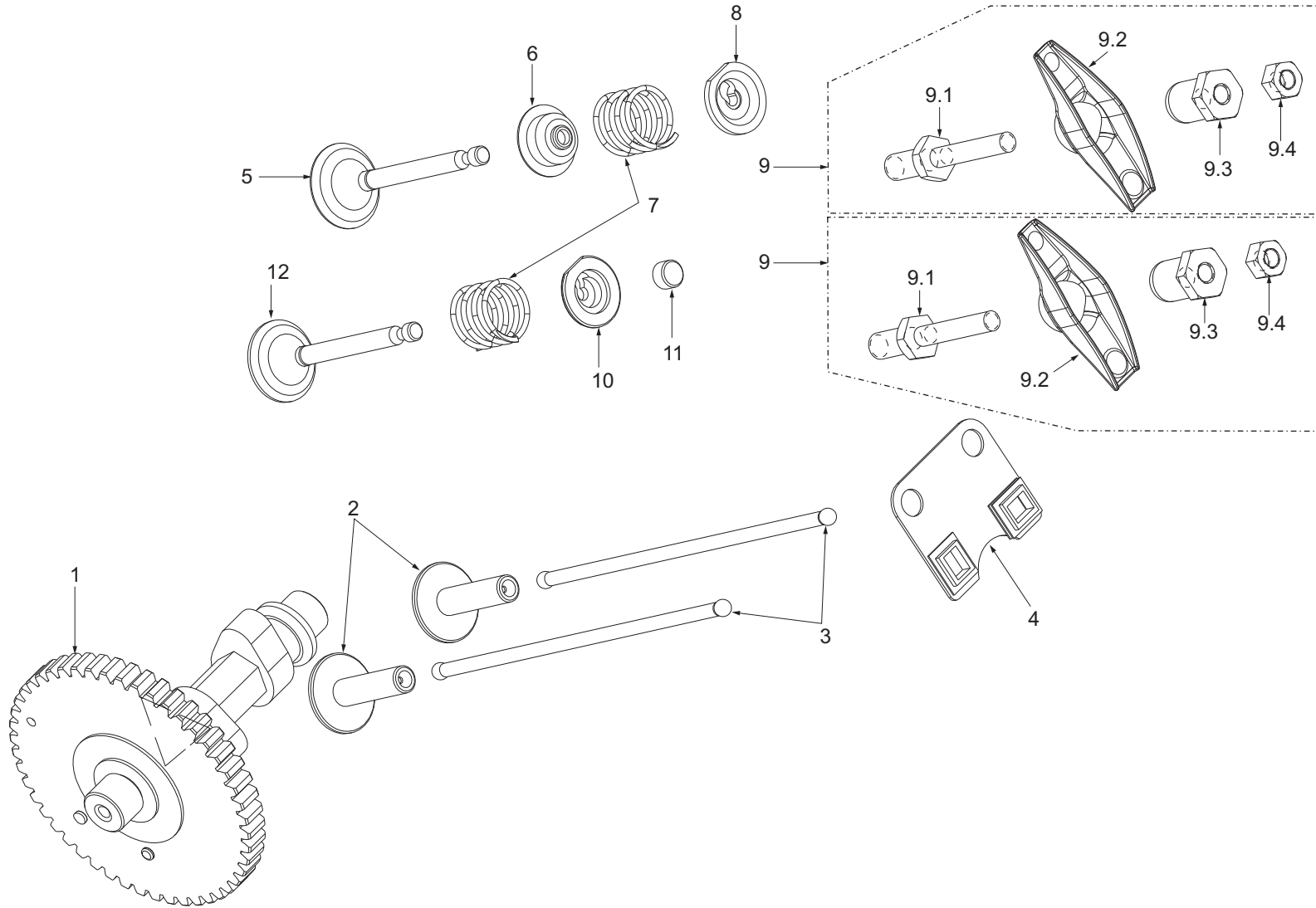
PART 5



Serial No	Parts Code	Parts Name	Specification	Quantity		Remark
				The List	Total	
1	F68.3020.001.00.00	Gasket, Cylinderhead		1	1	
2	168.3170.002.00.00	Set pin	Φ 10*14	2	2	
3	5789.08060.00.01	Bolt	M8*60 , 22	4	4	S=12
4	0900.08032.00.01	Stud, Exhaustport	M8*32	2	2	
5	0900.06090.00.01	Stud, Intakeport	M6*90	2	2	
6	F68.0010.001.00.00	Cylinder headass.		1	1	
7	168.3000.001.00.00	Gasket, cylinder headcover		1	1	
8	168.0001.002.00.01	Cylinder head cover		1	1	
9	168.2370.002.00.00	Air duck	Φ 8* Φ 14	1	1	110-30
10	5787.06012.00.01	Bolt	M6*12	4	27	S=8

CAMSHAFT PARTS

PART 6

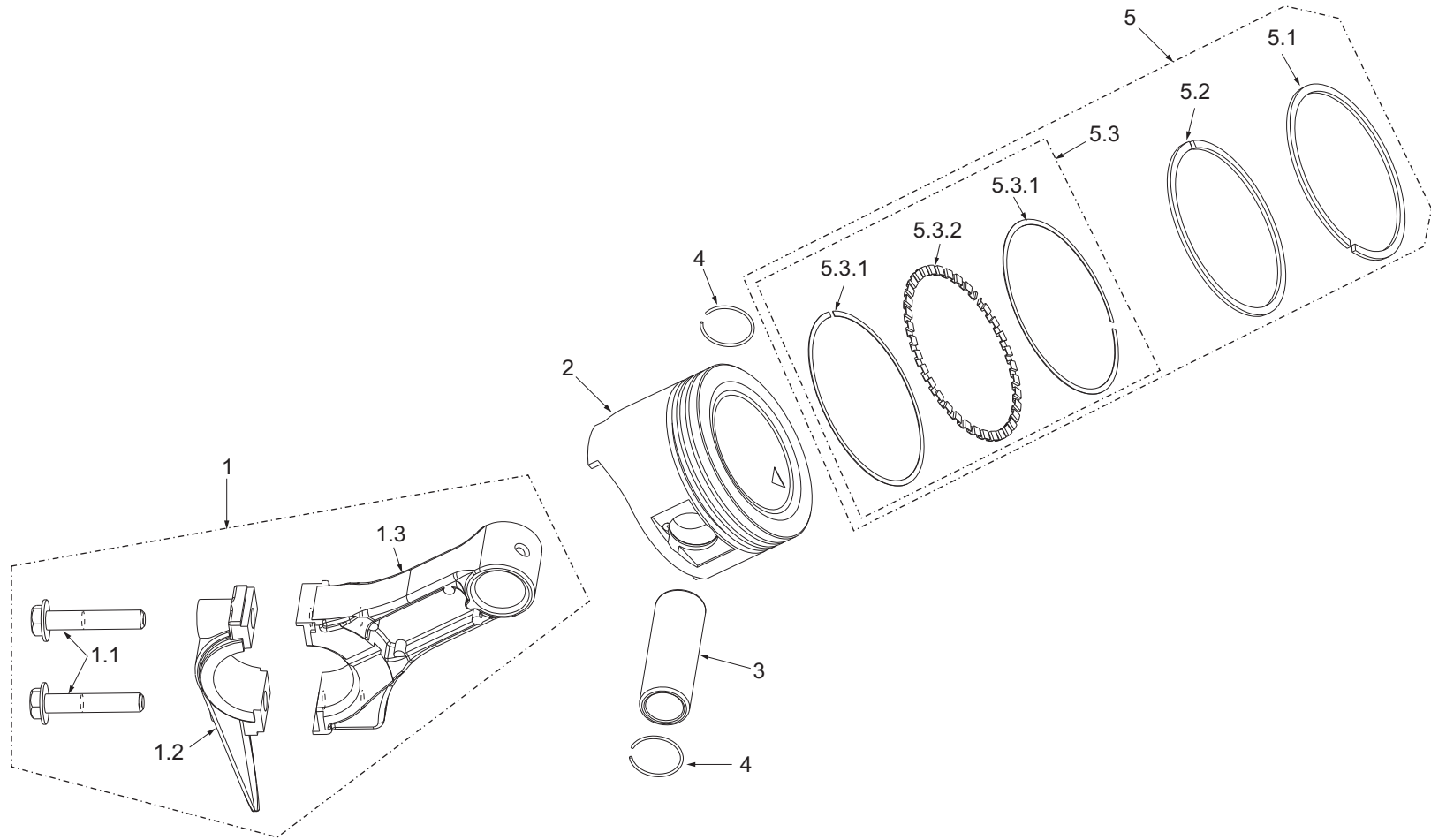


PART 6

Serial No	Parts Code	Parts Name	Specification	Quantity		Remark
				The List	Total	
1	F68.1040.001.60.00	Camshaft ass		1	1	
2	F68.1030.001.00.00	Tappet	Φ 8*34.5	2	2	
3	168.0160.002.00.00	Pusher	Φ 4*134	2	2	
4	168.0150.001.00.00	Pusher guide		1	1	
5	168.0020.001.00.00	Intake valve		1	1	
6	168.3150.001.00.00	Oil seal, Intakevalve		1	1	
7	168.0040.001.00.00	Valve spring	Φ 18* Φ 1.7*30	2	2	4 Turns
8	168.0060.001.00.00	Spring seat, Intakevalve		1	1	
9	168.0100.001.00.01	Rocker ass		2	2	
9.1	0900.06053.00.01	Stud, Rockerass.	M6*53Pitch=0.75	2		S=12
9.2	168.0100.001.00.02	Rocker		2		
9.3	6170.06000.00.01	Adjustnut, sphere	M6Pitch=0.75	2		S=14
9.4	6177.06000.00.01	Lock nut	M6Pitch=0.75	2		S=10
10	168.0070.001.00.00	Spring seat, Exhaustvalve		1	1	
11	168.0090.001.00.00	Cap, Exhaust valve		1	1	
12	168.0030.003.00.00	Exhaustvalve		1	1	

PISTON PARTS

PART 7

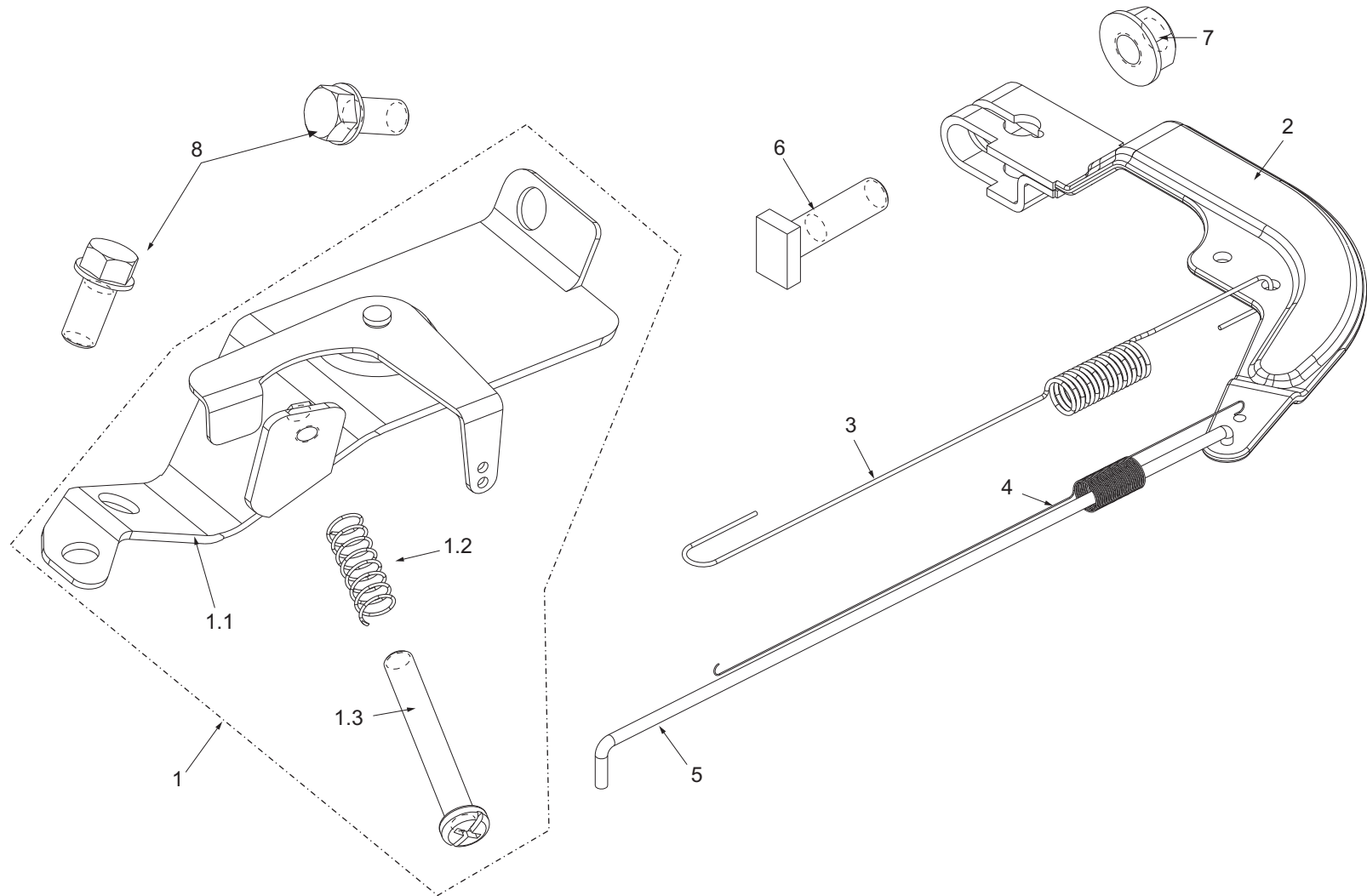


PART 7

Serial No	Parts Code	Parts Name	Specification	Quantity		Remark
				The List	Total	
1	168.0190.001.00.00	Connecting rodass.		1	1	
1.1	168.0190.001.00.01	Bolt,Connecting rod	M 7*35	2		S=10
1.2	168.0190.001.00.02	Cover ,Conn ecting rod		1		
1.3	168.0190.001.00.03	Body ,Connecting rod		1		
2	F68.0200.001.00.00	Piston		1	1	
3	168.0220.001.00.01	Piston pin	Φ 18* Φ 13*53.8	1	1	
4	168.0230.001.00.02	Clip, Pistonpin	Φ 19.1* Φ 09	2	2	
5	168.0210.001.00.03	Piston ringass.		1	1	
5.1	168.0210.001.00.01	First airring		1		
5.2	168.0210.001.00.02	Second airring		1		
5.3	168.0210.001.00.03	Oil ringass.		1		
5.3.1	168.0210.001.00.04	Scraper ring		2		
5.3.2	168.0210.001.00.05	Set offring		1		

SPEED ADJUSTMENT BASE PARTS

PART 8

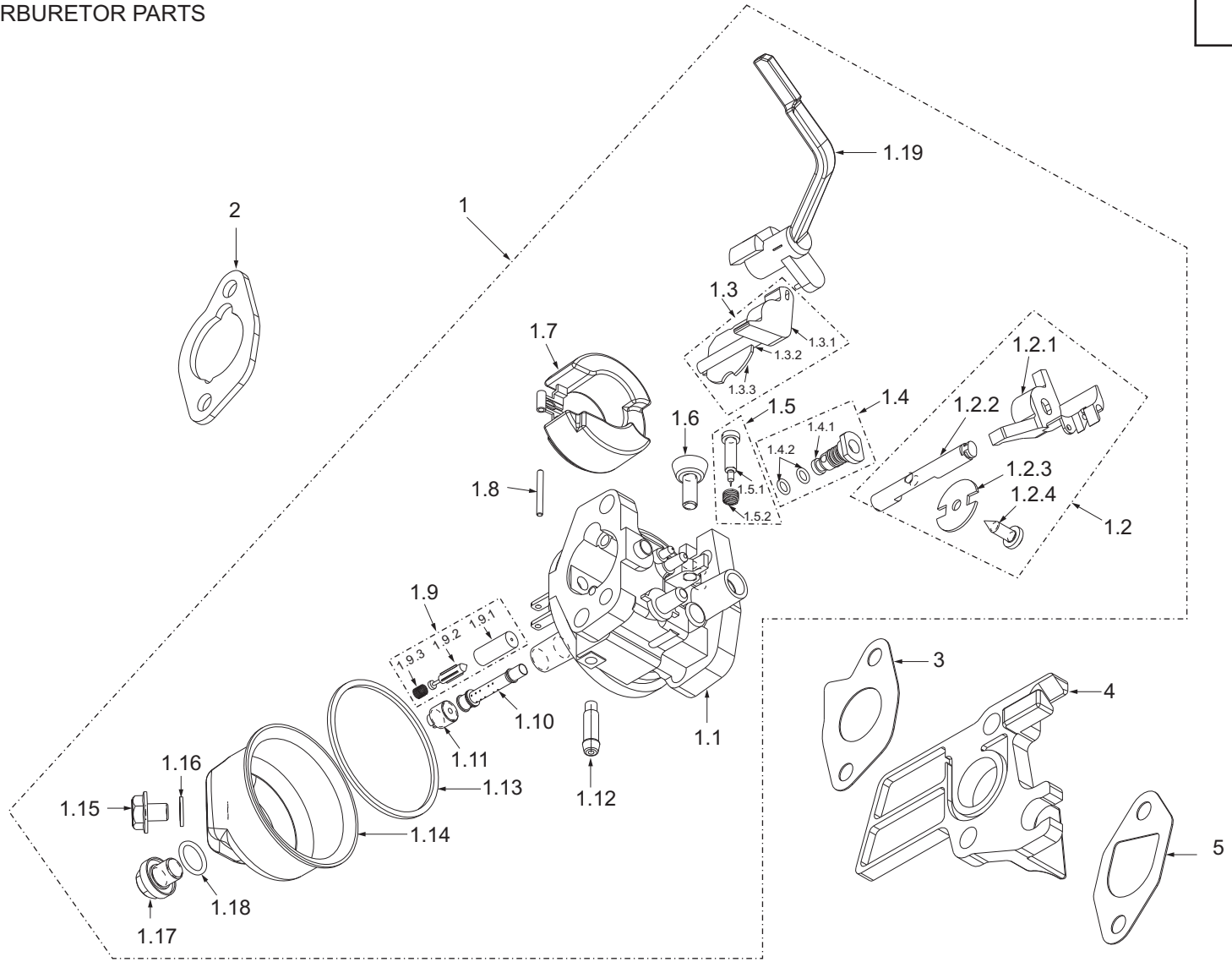


PART 8

Serial No	Parts Code	Parts Name	Specification	Quantity		Remark
				The List	Total	
1	168.1180.002.00.00	Speed adjustment base parts		1	1	
1.1	168.1180.002.00.01	Speed adjustment baseass.		1		
1.2	168.1160.001.00.00	Adjustment spring	Φ 65* Φ 05*36	1		9 Turns
1.3	0823.05010.21.07	Adjustment screw	M5*35	1		
2	168.1130.001.00.00	Speed adjustmentarm		1	1	
3	F68.1150.001.00.00	Return spring	Φ 6* Φ 07*137	1	1	17 Turns
4	168.1160.001.00.00	Fine adjustmentspring	Φ 54* Φ 02*114	1	1	35 Turns
5	168.1140.001.00.00	Pullingrod	Φ 2*129	1	1	
6	5787.06021.00.01	Q uadratebolt	M6*21	1	1	13-7
7	6170.06000.00.01	Nut	M6	1	3	S=10
8	5787.06012.00.01	Bolt	M6*12	2	27	S=8

CARBURETOR PARTS

PART 9

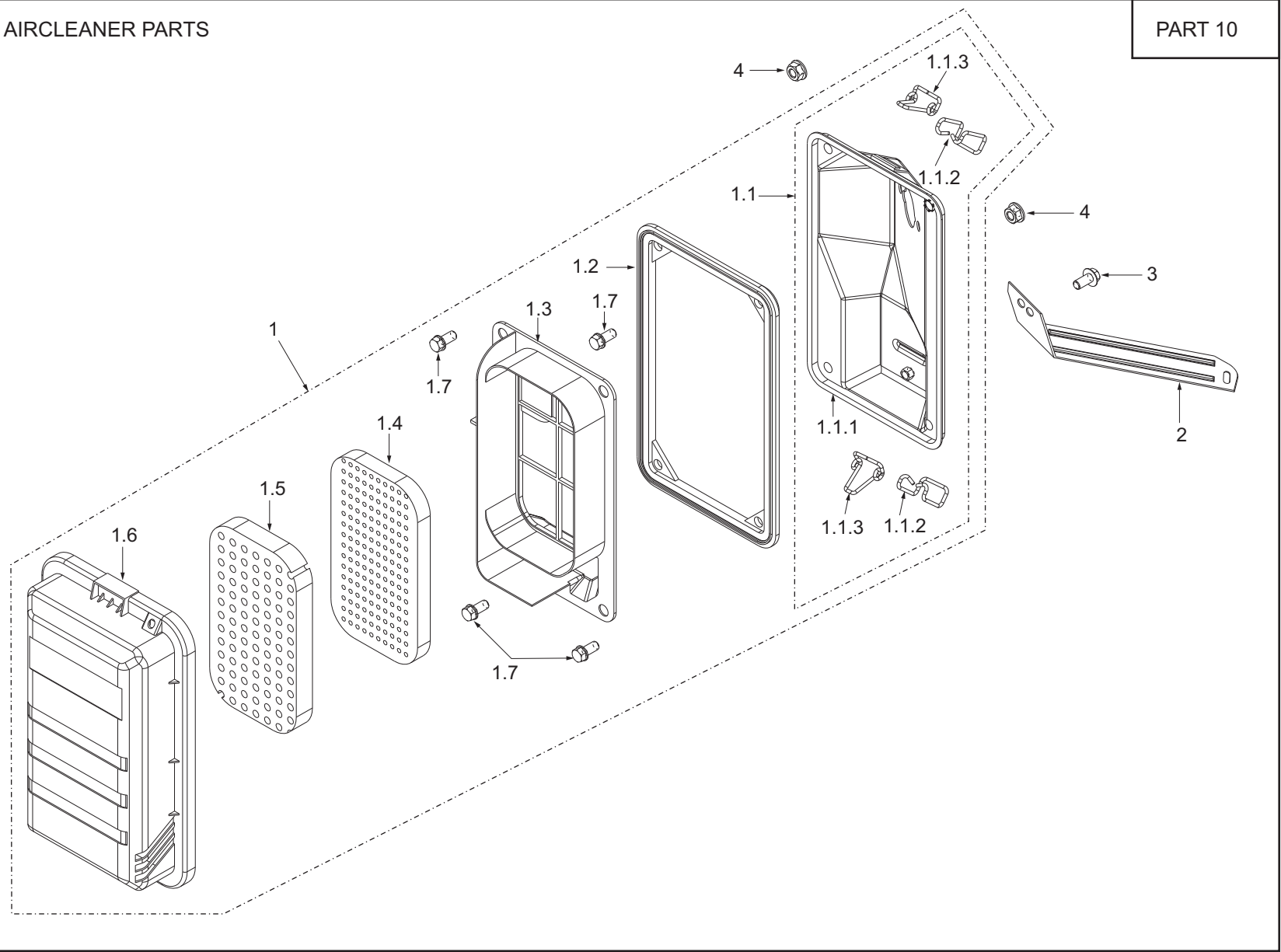


PART 9

Serial No	Parts Code	Parts Name	Specification	Quantity		Remark
				The List	Total	
1	F68.2260.C02.00.00	Carburetor ass		1	1	
1.1	F68.2260.002.00.01	Carburetor body		1		
1.2	F68.2260.002.00.02	Throttle valveass.		1		
1.2.1	F68.2260.002.00.03	Throttle valvecap		1		
1.2.2	F68.2260.002.00.04	Throttle valveaxis		1		
1.2.3	F68.2260.002.00.05	Throttle valve		1		
1.2.4	F68.2260.002.00.06	Screw	M4*12	1		
1.3	F68.2260.002.00.07	Choke valve ass		1		
1.3.1	F68.2260.002.00.08	Choke valve cap		1		
1.3.2	F68.2260.002.00.09	Choke valve axis		1		
1.3.3	F68.2260.002.00.10	Choke valve		1		
1.4	F68.2260.002.00.11	Measure holeass idle speed		1		
1.4.1	F68.2260.002.00.12	Measure holeidle speed		1		
1.4.2	F68.2260.002.00.13	O-ring	Φ47 * Φ1	2		
1.5	F68.2260.002.00.14	Adjustment screwass, mixture ratio		1		
1.5.1	F68.2260.002.00.15	Adjustment screw , mixture ratio	M4*12	1		
1.5.2	F68.2260.002.00.16	Spring	Φ47 5 * Φ05*3	1		5 Turns
1.6	F68.2260.002.00.17	Adjustment screwidle speed	M5*11	1		
1.7	F68.2260.002.00.18	Fuel floater		1		
1.8	F68.2260.002.00.19	Pin, Fuel floater	Φ2*18	1		
1.9	F68.2260.002.00.20	Needle valveass.		1		
1.9.1	F68.2260.002.00.21	Needle valveseat		1		
1.9.2	F68.2260.002.00.22	Needle valve		1		
1.9.3	F68.2260.002.00.23	Spring, Needle valve	Φ35*Φ02	1		8 Turns
1.10	F68.2260.002.00.24	Main jet		1		
1.11	F68.2260.002.00.25	Main measuring hole		1		
1.12	F68.2260.002.00.26	Fuel inlettube		1		
1.13	F68.2260.002.00.27	Rubber seal Fuel cup	Φ47*Φ51*2	1		
1.14	F68.2260.002.00.28	Fuel cup		1		
1.15	F68.2260.002.00.29	Fuel drain plug	M6*7	1		S=10
1.16	F68.2260.002.00.30	Gasket, Fuel drainplug	Φ6 Φ10*1	1		
1.17	0900.08007.00.01	Tighten fuel cup	M8*7	1		S=10
1.18	F68.2260.002.00.31	O-ring	Φ11*Φ15	1		
1.19	F68.2260.002.00.32	Handgrip, Choke valveass.				
2	168.3095.001.00.00	Steel gasket		1	1	
3	168.3080.001.00.00	Gasket, carburetor		1	1	
4	168.2300.001.00.00	Block, carburetor		1	1	
5	168.3060.001.00.00	Gasket, inlet port		1	1	

AIRCLEANER PARTS

PART 10

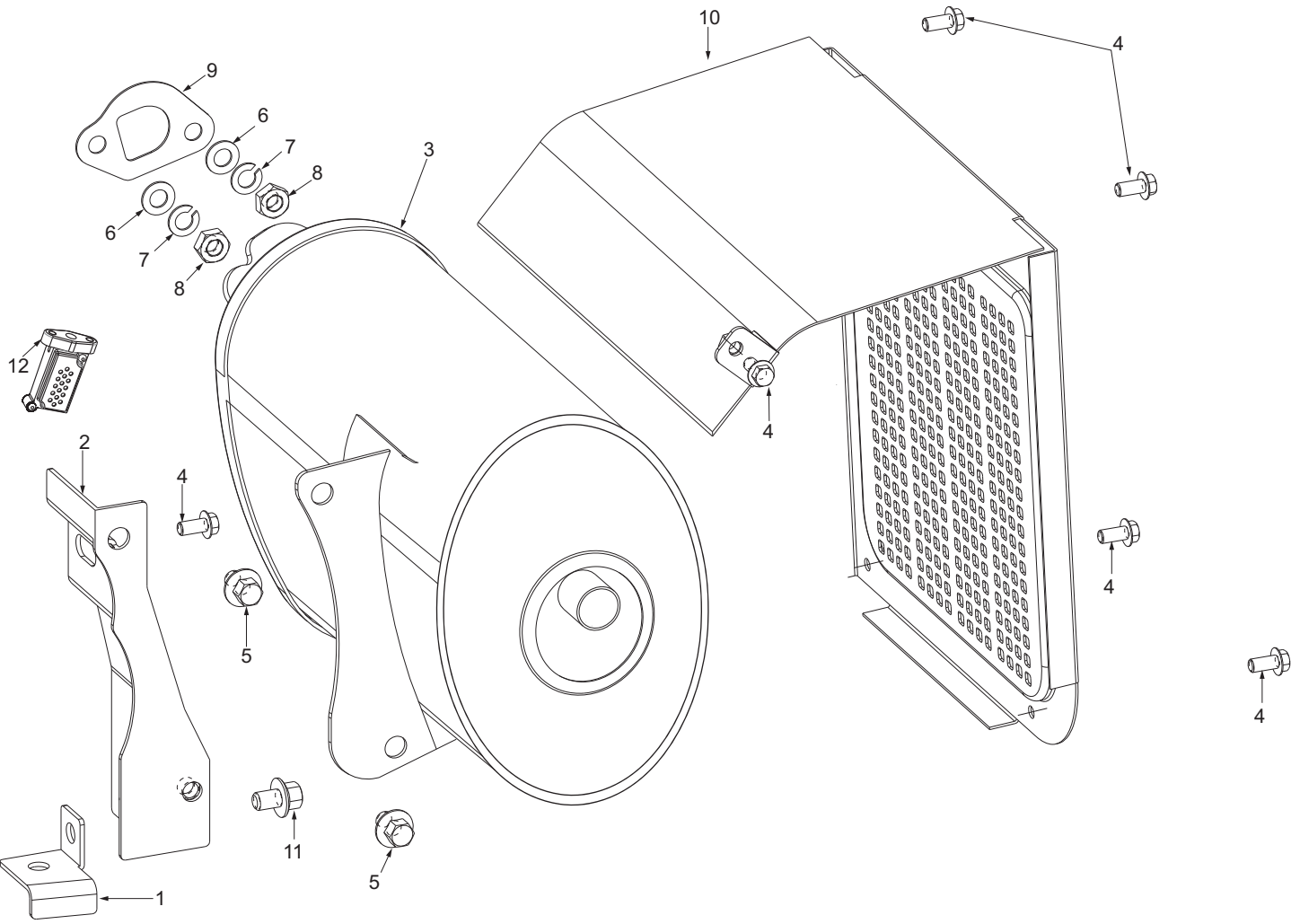


PART 10

Serial No	Parts Code	Parts Name	Specification	Quantity		Remark
				The List	Total	
1	168.2280.C07.00.00	Air cleanerass.		1	1	
1.1	168.2280.007.00.01	Lower case coverass.		1		
1.1.1	168.2280.007.00.02	Lower case cover		1		
1.1.2	168.2280.007.00.03	Buckle A		2		
1.1.3	168.2280.007.00.04	Buckle B		2		
1.2	168.2280.007.00.05	Rubber seal, aircleaner		1		
1.3	168.2280.007.00.06	Support case		1		
1.4	168.2280.007.00.07	Foam filter B	H igh density	1		
1.5	168.2280.007.00.08	Foam filter A	Low density	1		
1.6	168.2280.007.00.09	Upper case cover		1		
1.7	5789.05010.00.01	Bolt	M5*10	4		S=8
2	168.2290.001.00.00			1	1	
3	5787.06012.00.01	Bolt	M6*12	1	27	S=8
4	6170.06000.00.01	Nut	M6	2	3	S=10

MUFFLER PARTS

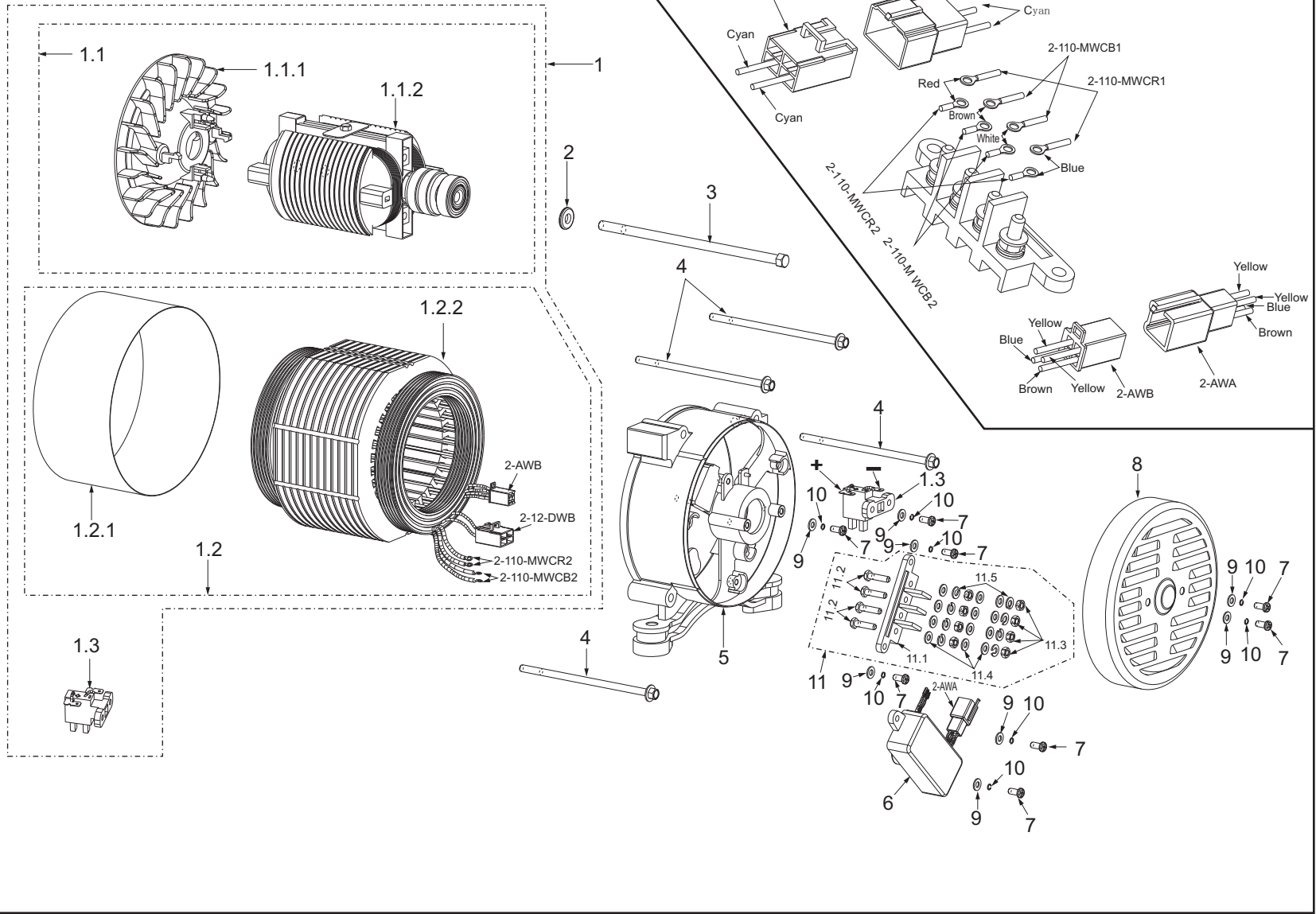
PART 11



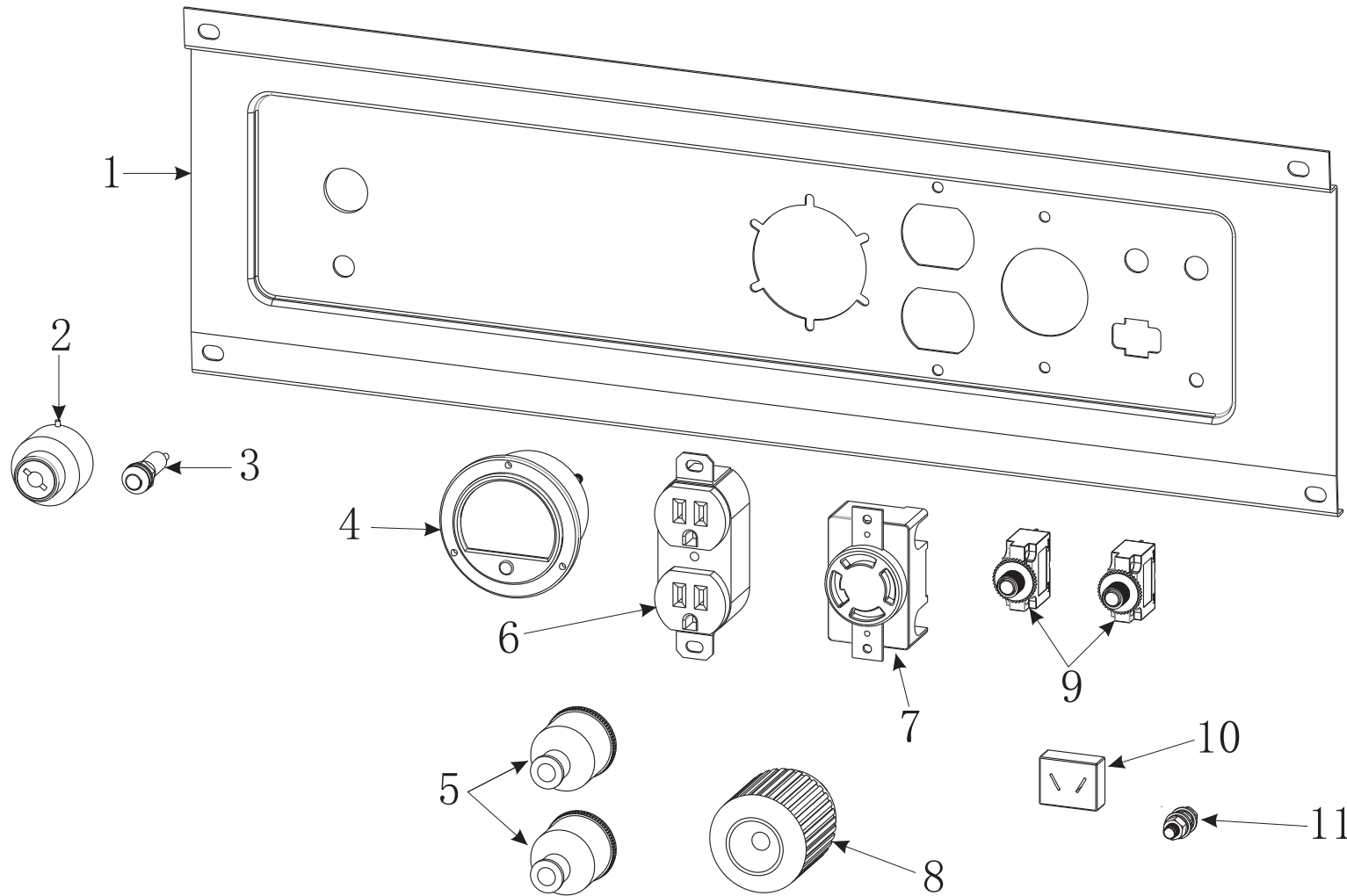
Serial No	Parts Code	Parts Name	Specification	Quantity		Remark
				The List	Total	
1	460.2445.001.D7.00	Fixer,Muffler support		1		
2	460.2440.001.D7.00	Muffler support		1		
3	460.2400.C03.00.00	Muffler ass		1		
4	5787.06012.00.01	Bolt	M6*12	6	27	S=8
5	5787.08016.00.01	Bolt	M8*16	2	2	S=10
6	0097.08000.00.01	Washer	Φ8	2	10	
7	0093.08000.00.01	Spring washer	Φ8	2	10	
8	6170.08000.00.01	Nut	M8	2	10	S=13
9	168.3100.001.00.00	Gasket, exhaustport		1	1	
10	460.2420.070.D7.00	Protectanuffler		1	1	
11	5787.08012.00.01	Bolt	M8*12	1	1	S=10
12	168.4450.C01.00.00	Twogulp valve		1	1	

(110V/220V, 60Hz) STATOR & ROTOR PARTS

PART 12



Serial No	Parts Code .	Parts Name	Specification	Quantity		Remark
				The List	Total	
1	460.4000.018.00.00	Stator & rotor ass.	110/220V , 60Hz	1	1	
1.1	460.4000.005.00.01	Rotor ass		1		
1.1.1	460.4000.005.00.02	Fan, rotor		1		
1.1.2	460.4000.005.00.03	Rotor		1		
1.2	460.4000.005.00.04	Stator ass		1		
1.2.1	460.4000.005.00.005	Stator cover		1		
1.2.2	460.4000.005.00.06	Stator		1		
1.3	460.4000.005.00.07	Brush ass		1		
2	0097.08000.00.01	Washer	Φ 18*8*3	1	1	
3	0021.08180.04.01	Bolt	M 8*1*180	1	1	S=12
4	5789.06130.04.01	Bolt	M 6*130	4	4	S=10
5	460.4010.001.00.00	Support, Stator & rotor		1	1	
6	460.4020.001.00.00	AVRass.		1	1	
7	0823.05010.21.07	Screw	M5*1 6	8	8	
8	460.4060.001.D7.00	Bottom coverStator & rotor		1	1	
9	0097.08000.00.01	Was her	Φ 5	8	8	
10	460.4000.005.00.00	Spring washer	Φ 5	8	8	
11	460.3395.002.00.00	Connecting block ass.		1	1	
11.1	460.3395.002.00.01	Connecting block		1		
11.2	5787.05020.00.01	Bolt	M5*20	4		S=8
11.3	6170.05000.00.01	Nut	M5	8		S=8
11.4	0097.08000.00.01	Washer	Φ 5	12		
11.5	460.4000.005.00.00	Spring washer	Φ 5	8		

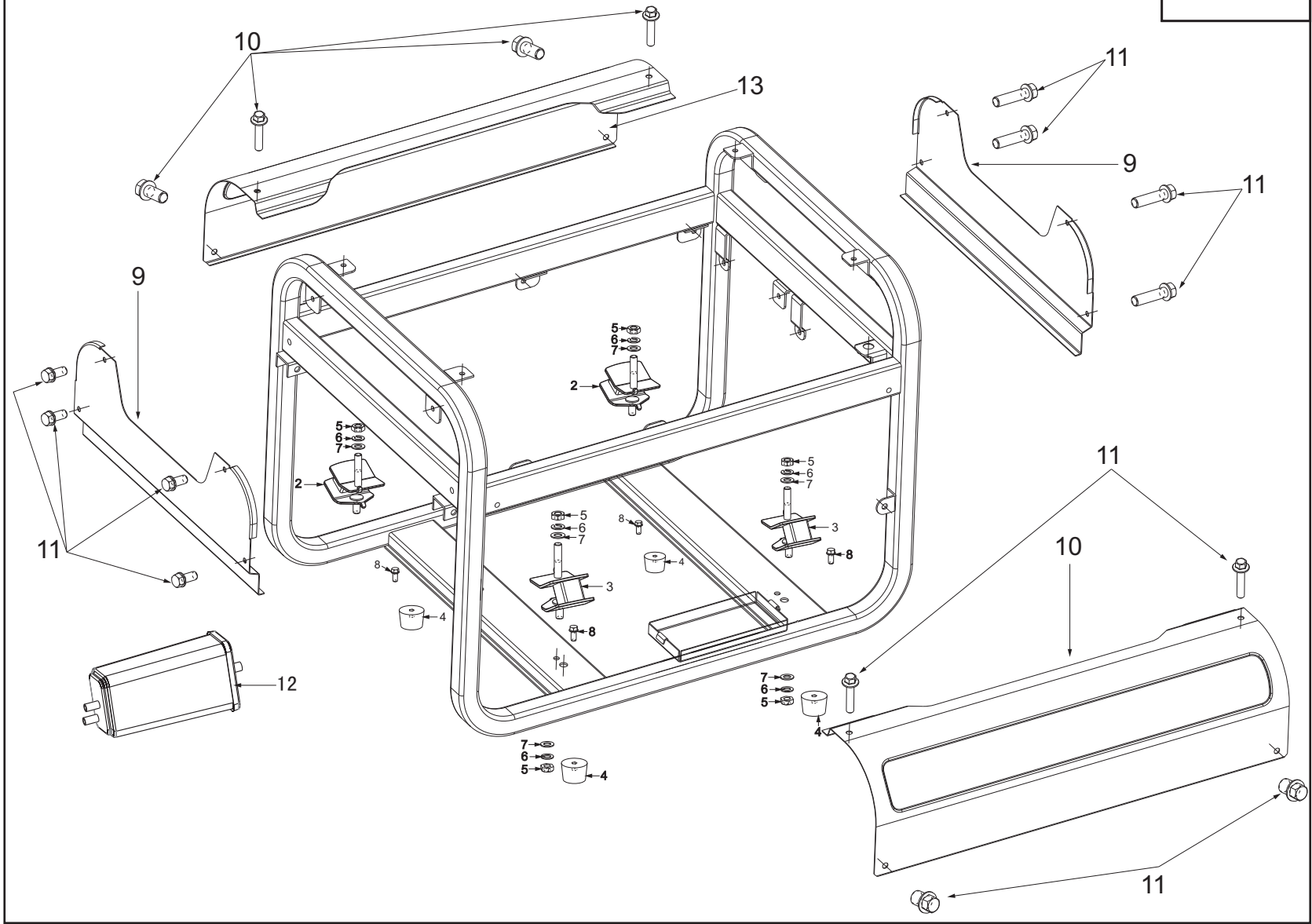


PART 13

Serial No .	Parts Code	Parts Name	Specification	Quantity		Remark
				The List	Total	
1	460.3370.070.D7.00	Control panel		1	1	
2	462.3370.070.D7.11	Engine switch		1	1	
3	462.3370.070.D7.02	Oil digital display table		1	1	
4	462.3370.070.D7.03	Voltage meter	MC-52	1	1	
5	462.3370.070.D7.04	Duplex plug		2	2	
6	462.3370.070.D7.05	Duplexsocket	125V, 20A	1	1	
7	462.3370.070.D7.06	Four hole socket	250V, 30A	1	1	
8	462.3370.070.D7.07	Four hole plug		1	1	
9	462.3370.070.D7.08	AC Current protector		2	2	
10	462.3370.070.D7.09	DC socket		1	1	
11	462.3370.070.D7.10	Ground terminal		1	1	

FRAME PARTS

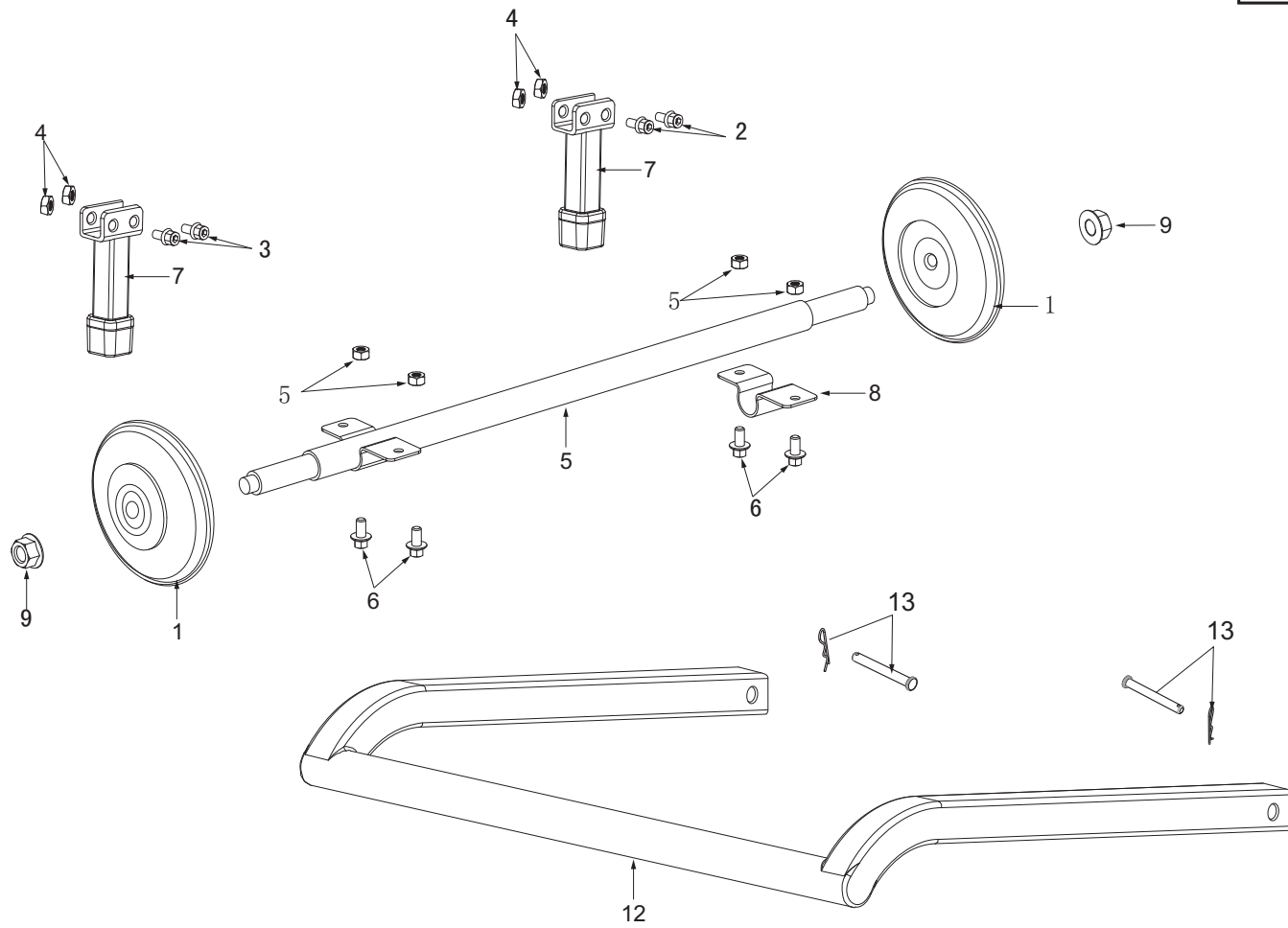
PART 14



Serial No	Parts Code	Parts Name	Specification	Quantity		Remark
				The List	Total	
1	460.3330.I06.D7.00	Frame		1	1	
2	460.3350.001.00.00	Front absorber		2	2	
3	460.3350.001.100.0	Back absorber		2	2	
4	460.3350.001.00.02	Frame absorber		4	4	
5	6170.08000.00.01	Nut	M8	8	10	S=13
6	0093.08000.00.01	Springwasher	Φ8	8	10	
7	0097.08000.00.01	Washer	Φ8	8	10	
8	5787.06012.00.01	Bolt	M6*12	4	27	S=8
9	460.2410.070.07.00	Guard board before and after		2	2	
10	460.2415.071.07.00	On both sides of the guard board		1	1	
11	5787.06012.00.01	Bolt		4	8	
12	460.4440.001.00.00	Carbon tank		1	1	
13	460.2415.001.08.00	On both sides of the guard board		1	1	

WHEEL PARTS

PART 15

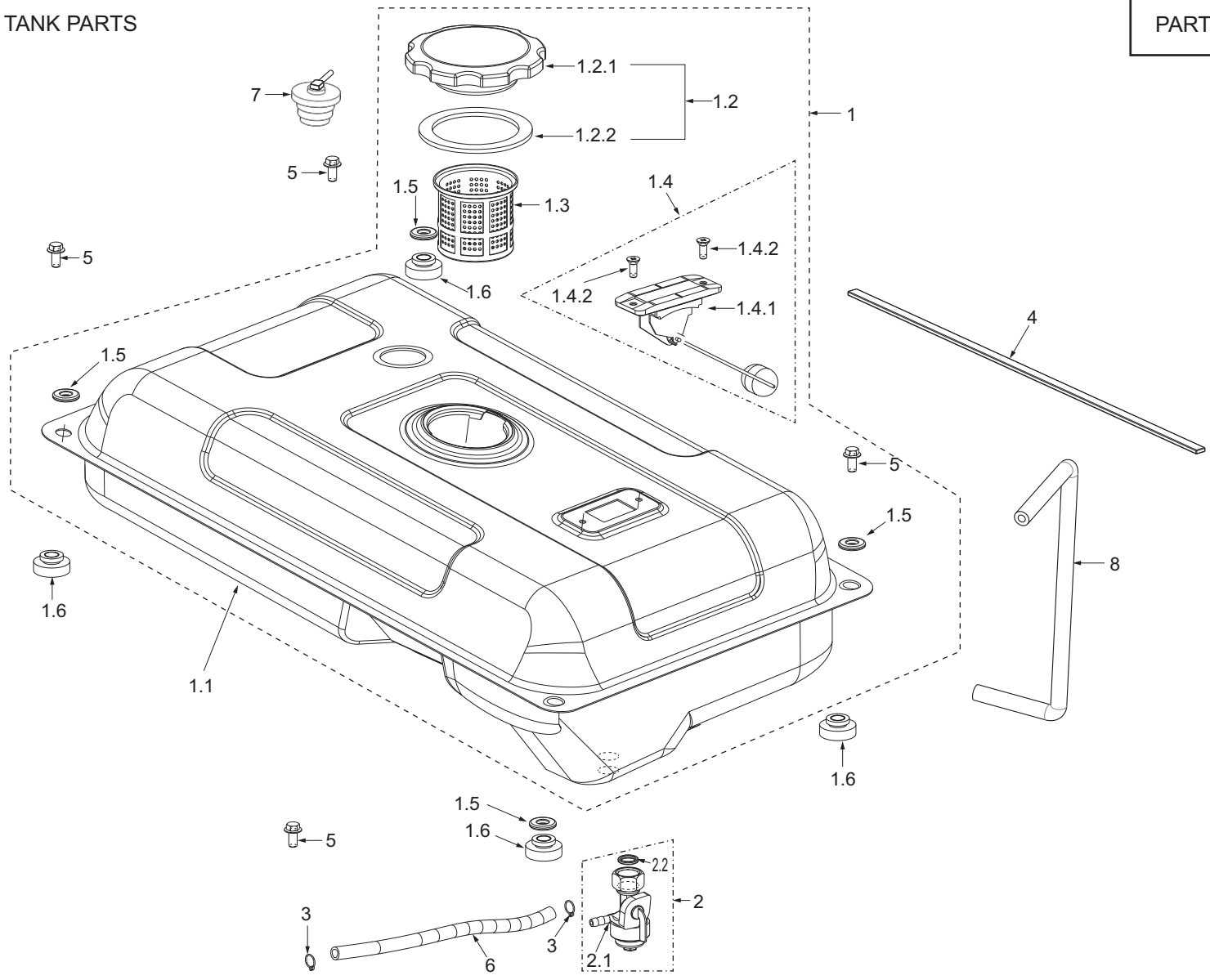


PART 15

Serial No .	Parts Code	Parts Name	Specification	Quantity		Remark
				The List	Total	
1	524.3332.014.00	Solidwheel	Ø203	1	1	
2	6177.12000.07.01	Nut	M12 x1.75	2	2	
3	5787.08012.00.01	Bolt	M8x12	8	10	
4	6170.08000.00.01	Nut	M8	8	14	S=13
5	520.3330.B82.D7.01	Wheel and axle	Ø25x660	1	1	S
6	5787.08045.00.01	Bolt	M8x45	8	8	
7	520.330.106.D7.01	x Integrá pole mount socket	140	4	4	
8	520.3330.122.D7.04	Wheel and axle clip	Ø18	1	1	
9	5787.10000.00.01	Nut	M10	4	4	S=13
10	0093.10000.00.01	Spring washer	Ø10	4	4	
11	0097.10000.00.01	Washer	Ø10	4	4	
12	460.3330.116.D7.00	Pushing hands		1	1	
13	460.3340.001.00.00	Dowel		2	2	

FUEL TANK PARTS

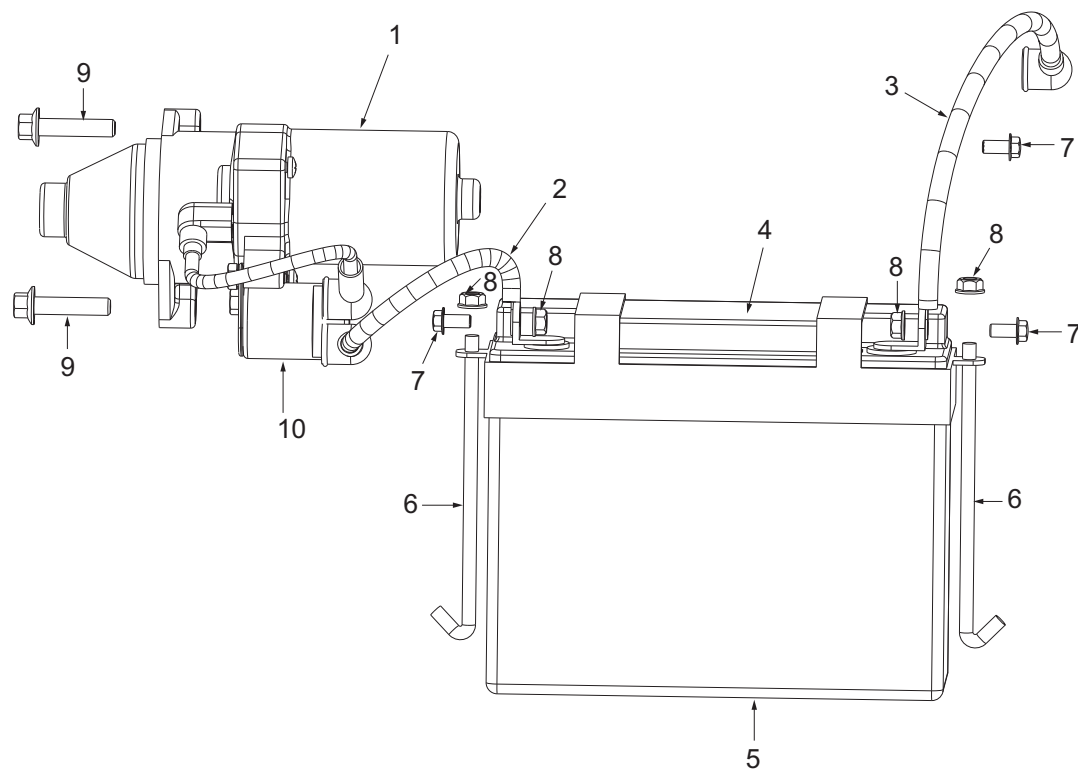
PART 15



Serial No	Parts Code	Parts Name	Specification	Quantity		Remark
				The List	Total	
1	460.3200.C71.D7.00	Fuel tank ass.		1	1	
1.1	460.3200.070.D7.01	Fuel tank		1		
1.2	460.3200.070.D7.02	Fuel tank cover ass.		1		
1.2.1	460.3200.070.D7.03	Fuel tank cover		1		
1.2.2	460.3200.070.D7.04	Rubber seal Fuel tank cover	$\Phi 60 * \Phi 78 * 35$	1		
1.3	460.3200.070.D7.05	Fuel filter	$\Phi 52 * 48$	1		
1.4	460.3200.070.D7.06	Fuel gauge ass		1		
1.4.1	460.3200.070.D7.06	Fuel gauge		1		
1.4.2	460.3200.070.D7.07	Screw	M5*10	2		
1.5	460.4100.001.20.00	Washer	$\Phi 6 * \Phi 25 * 1$	4		
1.6	460.3200.070.D7.08	Fuel tank absorber		4		
2	460.3210.001.00.00	Fuel on- off ass		1	1	
2.1	460.3210.001.00.01	Fuel on- off		1		
2.2	460.3210.001.00.02	Rubber seal Fuel on off	$\Phi 10 * \Phi 14 * 2$	1		
3	168.2360.001.00.00	Clip, fuel tube	$\Phi 9 * 0.5$	2	2	
4	460.3230.001.00.00	Rubber pillow Fuel tank	520*8*4	1	1	
5	5787.06025.00.01	Bolt	M6*25	4	6	
6	168.2330.003.00.00	Fuel tube	$\Phi 85 * \Phi 45$	1	1	105
7	188.3200.C01.00.01	A one-way valve		1	1	
8	168.2330.003.00.00	Evaporate tube		1	1	105

ELECTRIC STARTER PARTS

PART 16



NO	Parts Code	Parts Name	Specification	Quantity		Remark
				The List	Total	
1	D68.2070.001.00.00	Starting motorparts.		1	1	
2	460.2480.002.00.00	Battery positive pole wire		1	1	
3	460.2480.003.00.00	Battery negative pole wire		1	1	
4	460.3330.102.04.10	Fixer, Battery		1	1	
5	522.2460.004.00.00	Battery		1	1	
6	5787.06137.00.01	Bolt	M6×137	2	2	
7	5787.06012.00.01	Bolt	M6×12	3	28	
8	6170.06000.00.01	Nut	M6	4	7	
9	5787.08035.00.01	Bolt	M 8×35	2	2	
10	D68.2075.002.00.00	Relay		1	1	



Tomahawk Power, LLC

501 W Broadway Suite 2020

San Diego, CA 92119

Tel. (866) 577-4476

E-mail. sales@tomahawk-power.com

www.tomahawk-power.com

Tomahawk Power, Chicago

877 IL-83

Elmhurst, IL 60126

Tel. (866) 577-4476

E-mail. sales@tomahawk-power.com

www.tomahawk-power.com

Tomahawk Power, Mexico

Tel. 01 (800) 099-0778

E-mail. contacto@tomahawk-power.com

www.mx.tomahawk-power.com