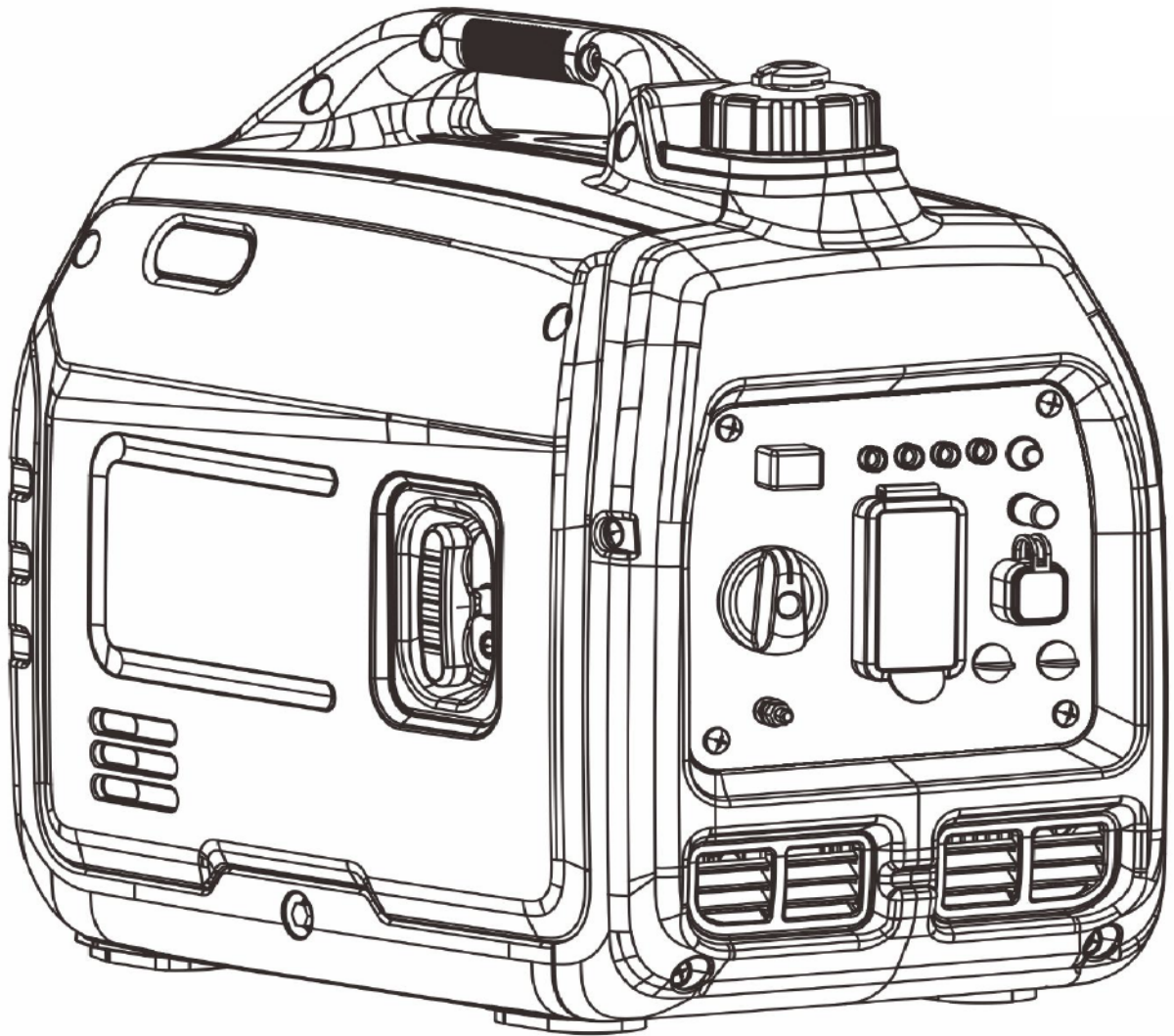


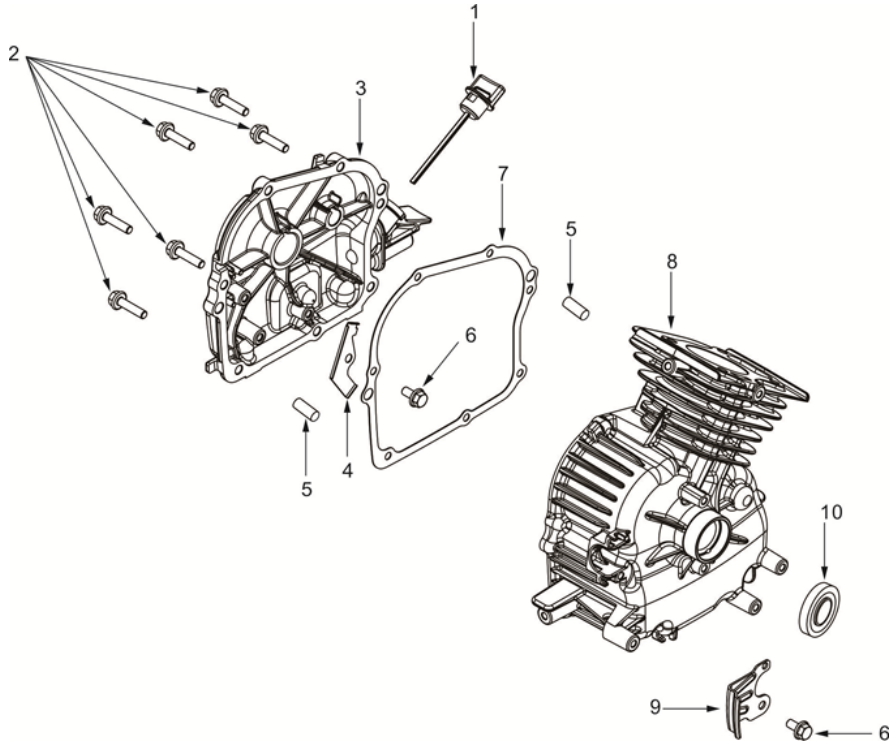
# TOMAHAWK

TG2000i  
INVERTER GENERATOR

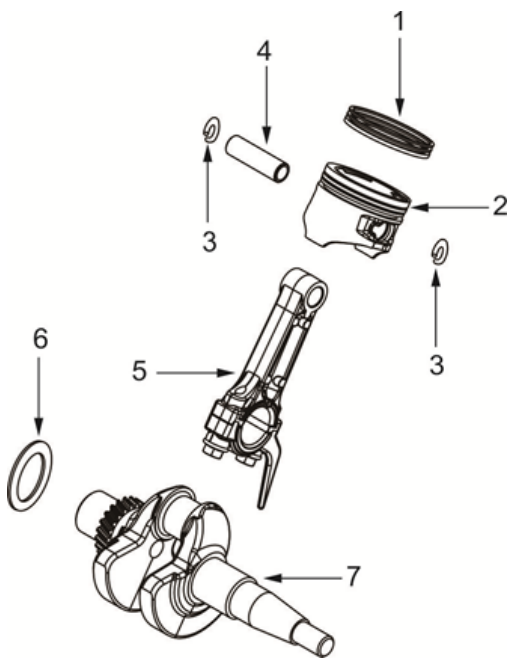
Operation Manual



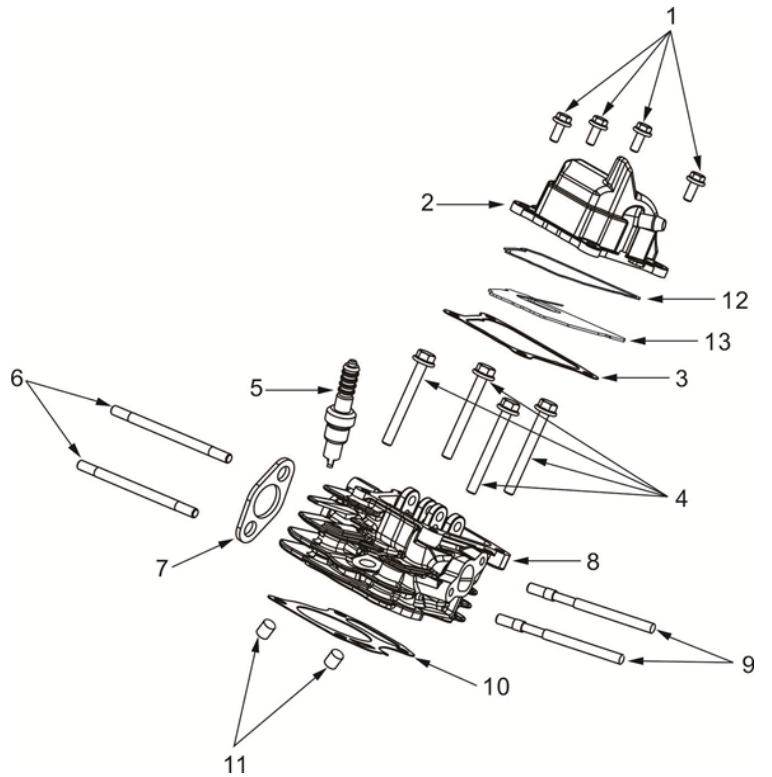
# CRANKCASE



# CRANKSHAFT



# CYLINDER

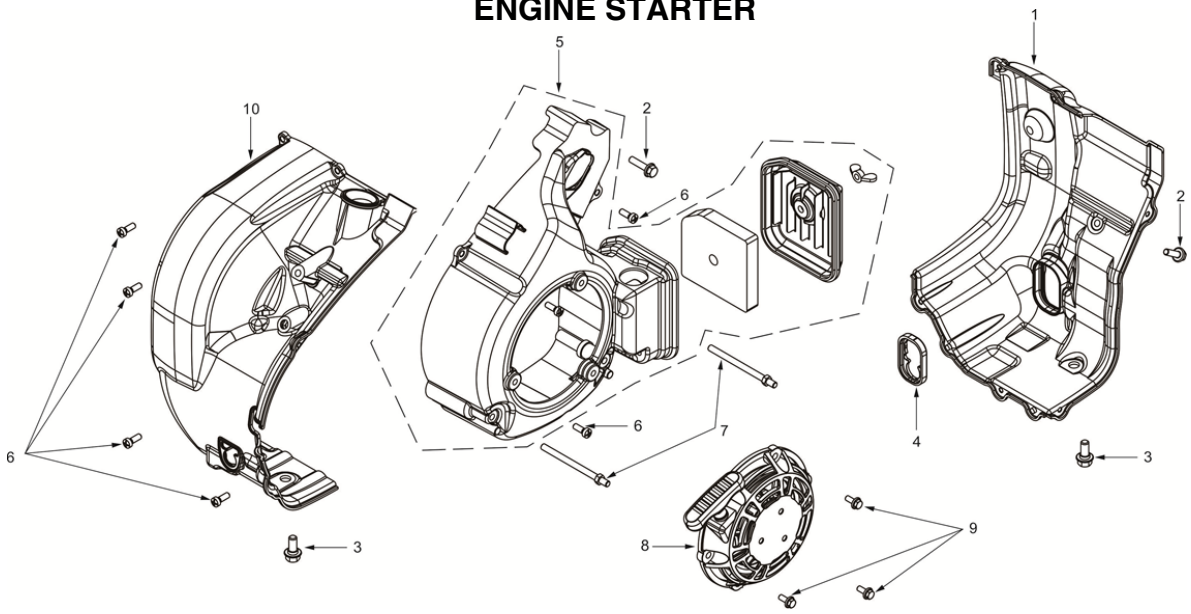


| <b>CRANKCASE</b> |                     |                             |                 |
|------------------|---------------------|-----------------------------|-----------------|
| <b>No.</b>       | <b>Part No.</b>     | <b>Description</b>          | <b>Quantity</b> |
| 1                | 1230.T48.001V.04.00 | Dipstick Subassembly, Oil   | 1               |
| 2                | 5787.06025.00.01    | Bolt                        | 6               |
| 3                | 1010.T48.001V.00.00 | Over Subassembly, Crankcase | 1               |
| 4                | 2090.148.001V.00.00 | Oil Alarm Block             | 1               |
| 5                | 3170.188.001V.00.00 | Pin                         | 2               |
| 6                | 5787.06012.00.01    | Bolt                        | 2               |
| 7                | 3040.T48.001V.00.00 | Over Subassembly, Crankcase | 1               |
| 8                | 1000.T48.001V.00.00 | Crankcase Subassembly       | 1               |
| 9                | 2090.T48.001V.00.00 | Crimping Board              | 1               |
| 10               | 3150.T48.001V.00.00 | Oil Seal                    | 1               |

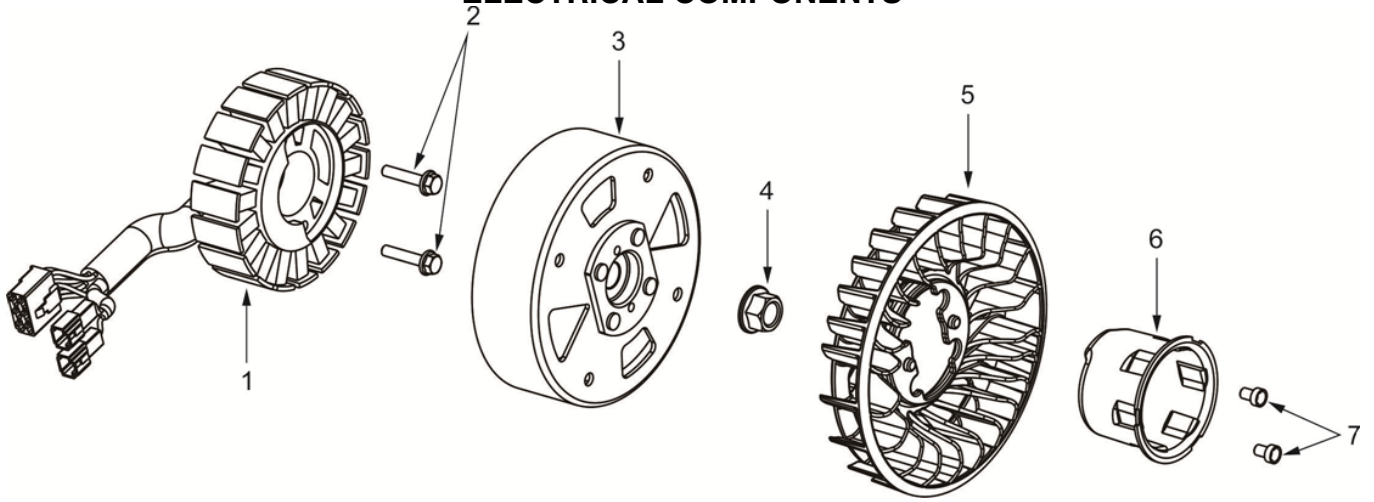
| <b>CRANKSHAFT</b> |                     |                    |                 |
|-------------------|---------------------|--------------------|-----------------|
| <b>No.</b>        | <b>Part No.</b>     | <b>Description</b> | <b>Quantity</b> |
| 1                 | 0210.148.001V.00.00 | Ring Set, Oil      | 1               |
| 2                 | 0200.148.001V.00.00 | Piston             | 1               |
| 3                 | 0230.148.001V.00.00 | Clip,Piston Pin    | 2               |
| 4                 | 0220.148.001V.00.00 | Pin,Piston         | 1               |
| 5                 | 0190.148.001V.00.00 | Rod,Connecting     | 1               |
| 6                 | 0185.T48.001V.00.00 | Crankshaft Gasket  | 1               |
| 7                 | 0180.T48.001V.00.00 | Crankshaft Assy    | 1               |

| <b>CYLINDER</b> |                      |                                 |                 |
|-----------------|----------------------|---------------------------------|-----------------|
| <b>No.</b>      | <b>Part No.</b>      | <b>Description</b>              | <b>Quantity</b> |
| 1               | 5789.06020.00.01     | Bolt                            | 4               |
| 2               | 0001.148.001V.00.00  | Cover Subassembly,Cylinder Head | 1               |
| 3               | 3000.148.001V.00.00  | Gasket,Cover Subassembly        | 1               |
| 4               | 5789.06050.00.03     | Bolt                            | 4               |
| 5               | 2160.148.R001V.00.00 | Plug,Spark                      | 1               |
| 6               | 7071.165.001V.00.00  | Bolt                            | 2               |
| 7               | 3100.148.001V.00.00  | Gasket,Exhaust Outlet           | 1               |
| 8               | 0010.T48.0011.00.00  | Cylinder Head                   | 1               |
| 9               | 0900.06088.00.01     | Bolt                            | 2               |
| 10              | 3020.148.001V.00.00  | Gasket,Cylinder Head            | 1               |
| 11              | 3170.188.001V.00.00  | Pin                             | 2               |
| 12              | 7061.148.001V.00.00  | Limit Plate Gasket              | 1               |
| 13              | 3088.148.001V.00.00  | Breathing Valve Limit Plate     | 1               |

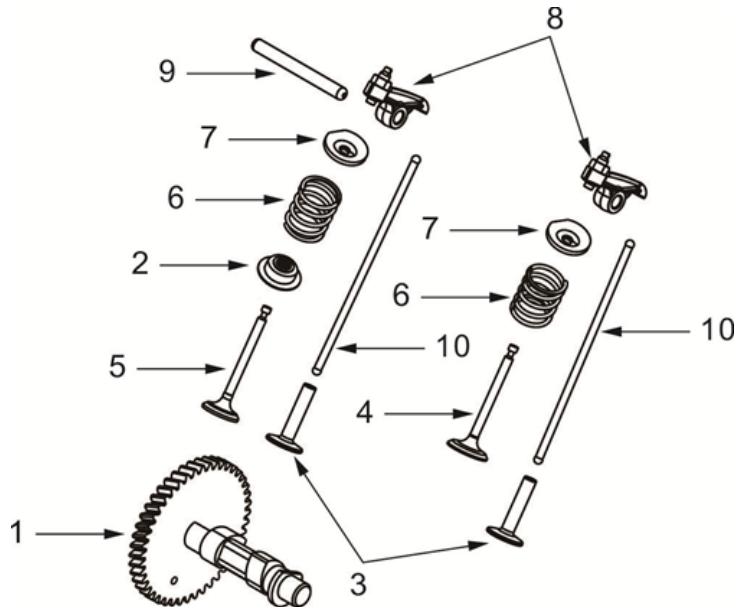
## ENGINE STARTER



## ELECTRICAL COMPONENTS



## CAMSHAFT COMPONENTS

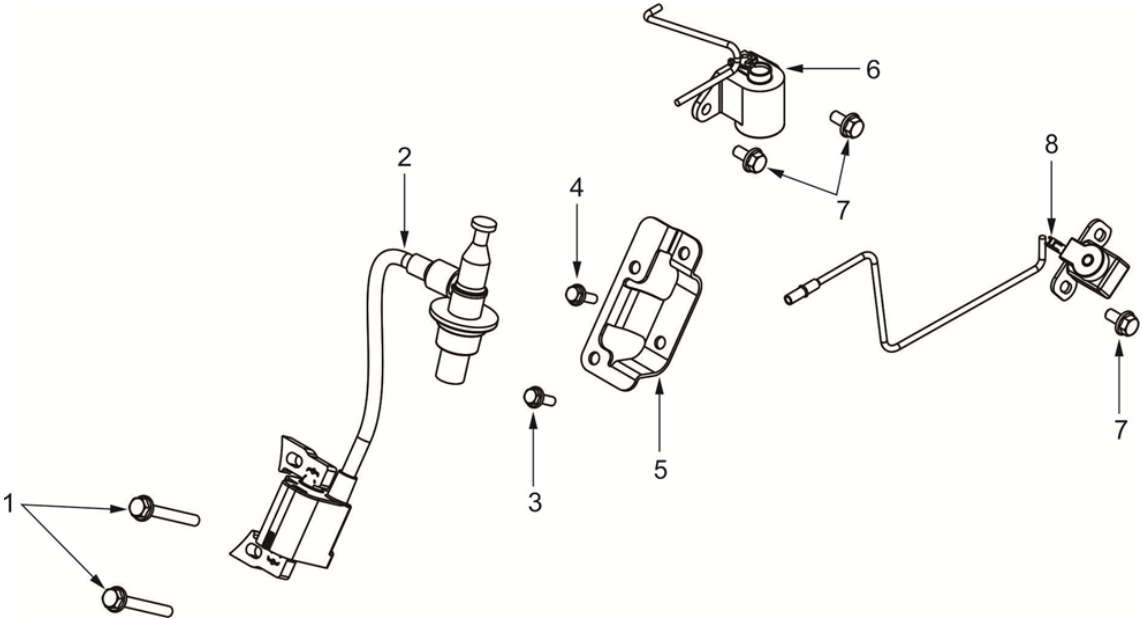


| <b>ENGINE STARTER</b> |                     |                              |                 |
|-----------------------|---------------------|------------------------------|-----------------|
| <b>No.</b>            | <b>Part No.</b>     | <b>Description</b>           | <b>Quantity</b> |
| 1                     | 2269.T48.001V.00.00 | Rear Shield Housing          | 1               |
| 2                     | 5789.06020.00.01    | Bolt                         | 2               |
| 3                     | 7344.T48.001V.00.00 | Bolt                         | 2               |
| 4                     | 5231.T48.001V.00.00 | Rubber Sleeve of Rear Shield | 1               |
| 5                     | 2000.T48.001V.00.03 | Wind Deflector               | 1               |
| 6                     | 0845.48020.00.01    | Self Tapping Screw           | 6               |
| 7                     | 7071.T48.001V.00.00 | Stud Support Bolt            | 2               |
| 8                     | 2000.148.001V.00.04 | Pulling Plate                | 1               |
| 9                     | 5787.06016.00.01    | Bolt                         | 3               |
| 10                    | 2268.T48.001V.00.00 | Front Shield Housing         | 1               |

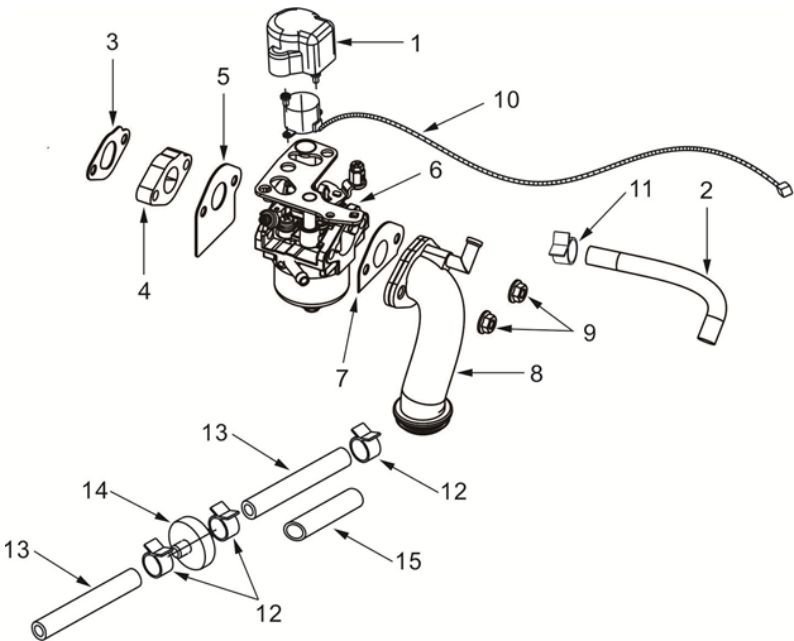
| <b>ELECTRICAL COMPONENTS</b> |                     |                    |                 |
|------------------------------|---------------------|--------------------|-----------------|
| <b>No.</b>                   | <b>Part No.</b>     | <b>Description</b> | <b>Quantity</b> |
| 1                            | 4000.469.003V.00.02 | Camshaft Assy      | 1               |
| 2                            | 5787.06035.00.01    | Oil Baffle         | 2               |
| 3                            | 4000.469.001V.00.01 | Rods               | 1               |
| 4                            | 6177.12000.05.01    | Intake Valve       | 1               |
| 5                            | 2030.T48.0020.63.00 | Exhaust Valve      | 1               |
| 6                            | 2020.T48.001V.00.00 | Valve Spring       | 1               |
| 7                            | 0070.06010.00.04    | Valve-Spring Seat  | 2               |

| <b>CAMSHAFT COMPONENTS</b> |                     |                    |                 |
|----------------------------|---------------------|--------------------|-----------------|
| <b>No.</b>                 | <b>Part No.</b>     | <b>Description</b> | <b>Quantity</b> |
| 1                          | 1040.148.002V.00.00 | Camshaft Assy      | 1               |
| 2                          | 0085.148.001V.00.00 | Oil Baffle         | 1               |
| 3                          | 0160.T48.0010.00.00 | Rods               | 2               |
| 4                          | 0020.148.001V.00.00 | Intake Valve       | 1               |
| 5                          | 0030.148.001V.00.00 | Exhaust Valve      | 1               |
| 6                          | 0040.148.001V.00.00 | Valve Spring       | 2               |
| 7                          | 0060.148.001V.00.00 | Valve-Spring Seat  | 2               |
| 8                          | 0100.148.001V.00.00 | Valve Rocker       | 2               |
| 9                          | 0101.148.001V.00.00 | Valve Rocker Shaft | 1               |
| 10                         | 1030.148.001V.00.00 | Tappet             | 2               |

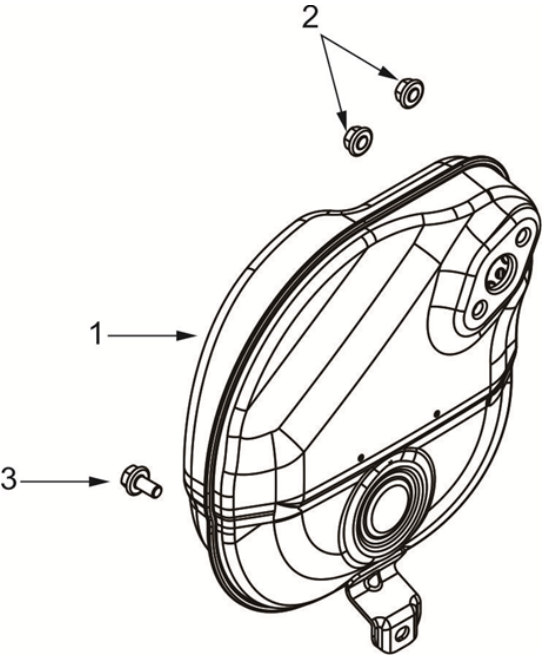
# CARBURETOR



# IGNITER ASSEMBLY



# MUFFLER PARTS

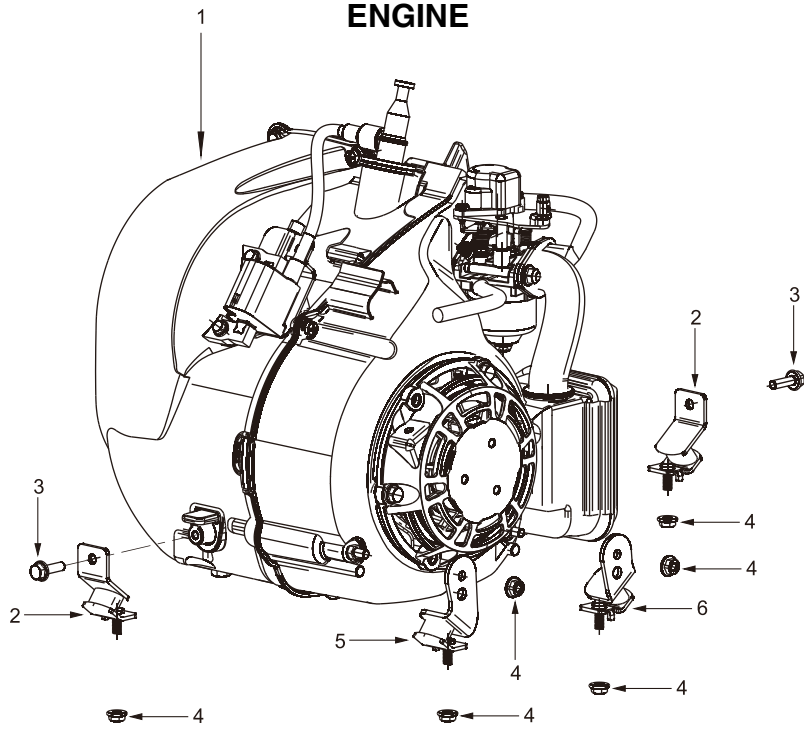


| <b>CARBURETOR</b> |                      |                            |                 |
|-------------------|----------------------|----------------------------|-----------------|
| <b>No.</b>        | <b>Part No.</b>      | <b>Description</b>         | <b>Quantity</b> |
| 1                 | 2260.T48.C01V.00.00  | Stepper motor cover        | 1               |
| 2                 | 2370.148.001V.00.00  | Exhaust pipe               | 1               |
| 3                 | 3060.148.001V.00.00  | Air inlet gasket           | 1               |
| 4                 | 2300.148.001V.00.00  | Carburetor heat shield     | 1               |
| 5                 | 3080.148.001V.00.00  | Carburetor insulation pad  | 1               |
| 6                 | 2260.T48.C01V.00.00  | Carburetor                 | 1               |
| 7                 | 3090.148.001V.00.00  | Carburetor gasket          | 1               |
| 8                 | 2280.148.001V.00.02  | Intake hose                | 1               |
| 9                 | 6177.06000.00.01     | Locking nut with disc      | 2               |
| 10                | 4000.435.006V.00.00  | Stepper motor              | 1               |
| 11                | 2360.458.R005V.00.00 | Ribbon tubing clamp        | 1               |
| 12                | 2360.458.R004V.00.00 | Ribbon tubing clamp        | 3               |
| 13                | 2330.464.C010.00.021 | Tubing                     | 1               |
| 14                | 2325.469.0010.00.00  | Fuel filter                | 1               |
| 15                | 2332.467.006V.00.00  | Silicone protective sleeve | 1               |

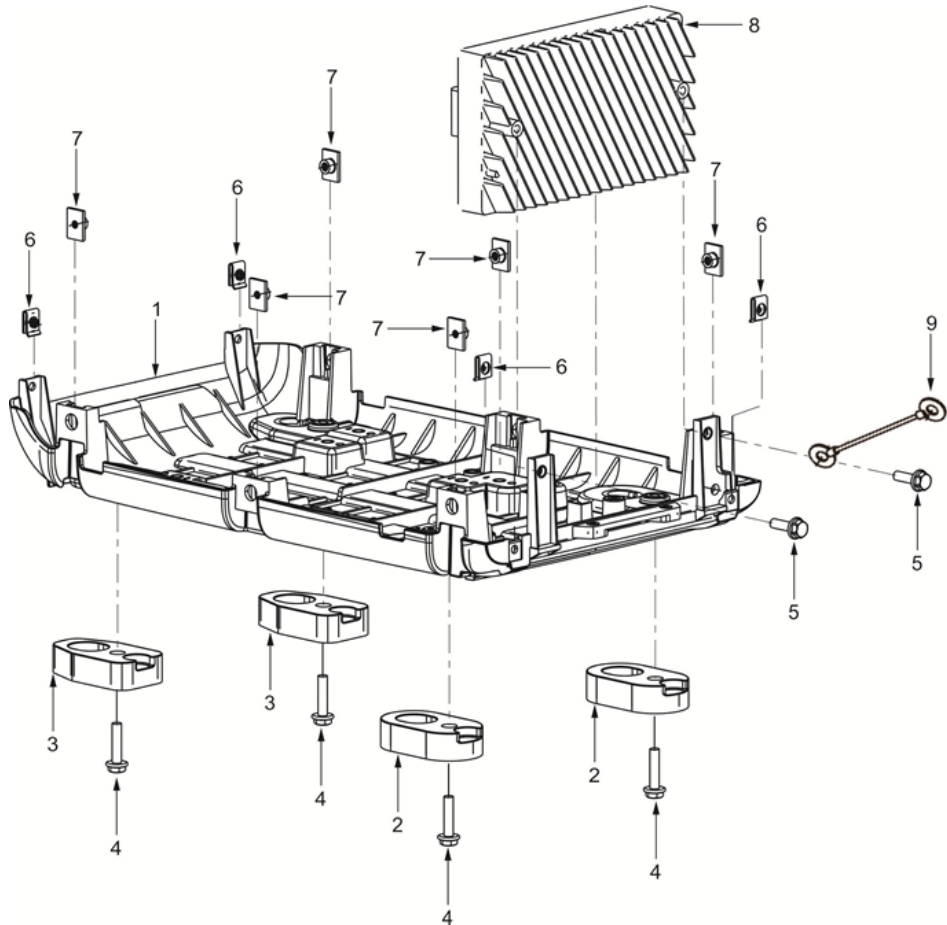
| <b>IGNITER ASSEMBLY</b> |                     |                          |                 |
|-------------------------|---------------------|--------------------------|-----------------|
| <b>No.</b>              | <b>Part No.</b>     | <b>Description</b>       | <b>Quantity</b> |
| 1                       | 5789.06018.00.01    | Bolt                     | 2               |
| 2                       | 1522.T48.002V.00.00 | Ignition coil            | 1               |
| 3                       | 5789.06012.00.01    | Bolt                     | 1               |
| 4                       | 5789.06035.00.01    | Bolt                     | 1               |
| 5                       | 5695.T48.001V.00.00 | Igniter mounting bracket | 1               |
| 6                       | 1020.164.0011.00.00 | Oil alarm                | 1               |
| 7                       | 5787.06012.00.01    | Bolt                     | 3               |
| 8                       | 2050.T48.002V.00.00 | Trigger coil assembly    | 1               |

| <b>MUFFLER PARTS</b> |                     |                       |                 |
|----------------------|---------------------|-----------------------|-----------------|
| <b>No.</b>           | <b>Part No.</b>     | <b>Description</b>    | <b>Quantity</b> |
| 1                    | 2400.T48.001V.00.00 | Muffler               | 1               |
| 2                    | 6177.06000.00.01    | Locking nut with disc | 2               |
| 3                    | 5789.06012.00.01    | Bolt                  | 1               |

# ENGINE



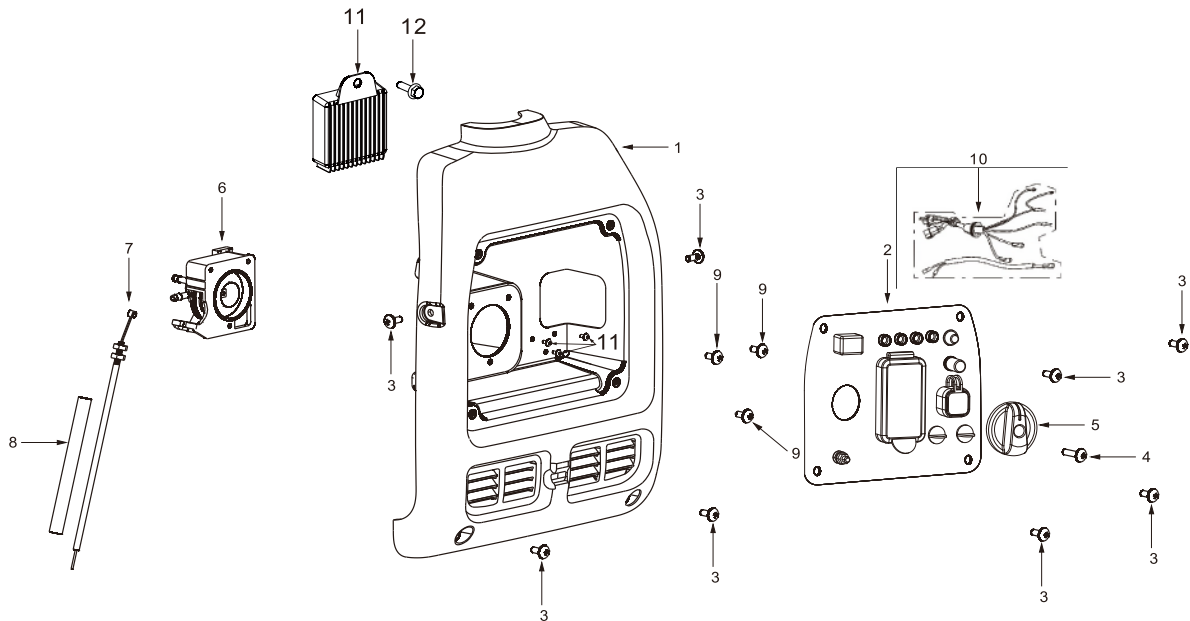
# INVERTER





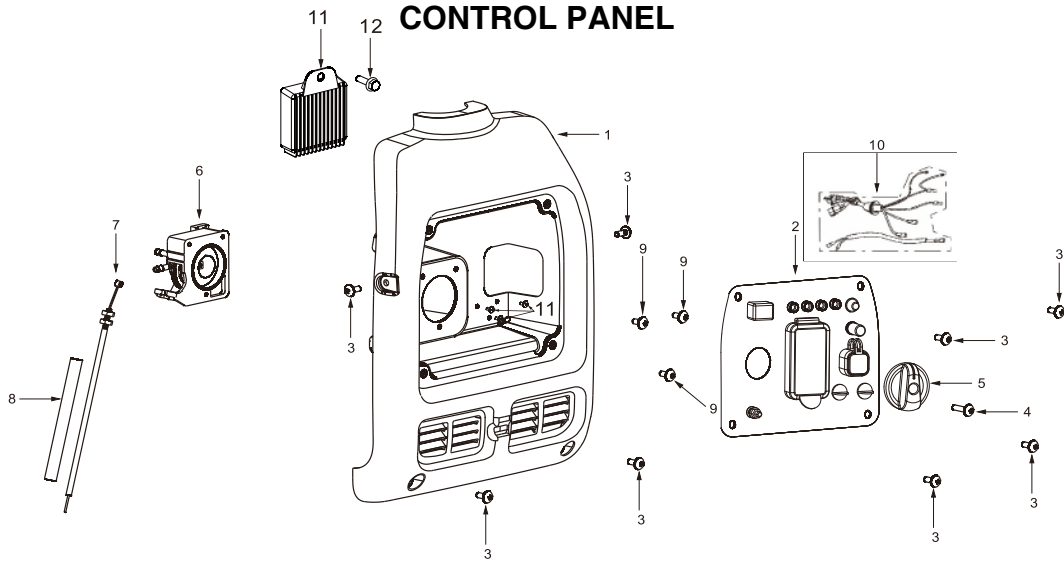
| ENGINE |                     |             |          |
|--------|---------------------|-------------|----------|
| No.    | Part No.            | Description | Quantity |
| 1      | BP00.073.001.06     | Engine      | 1        |
| 2      | 3360.473.0020.00.00 | Shock Pad   | 2        |
| 3      | 5789.06012.00.01    | Bolt        | 2        |
| 4      | 6177.06000.00.01    | Nut         | 6        |
| 5      | 3350.T48.001V.00.00 | Shock Mount | 1        |
| 6      | 3350.T48.002V.00.00 | Shock Mount | 1        |

| INVERTER |                     |                        |          |
|----------|---------------------|------------------------|----------|
| No.      | Part No.            | Description            | Quantity |
| 1        | 3340.469.0020.00.00 | Base Plate             | 1        |
| 2        | 3350.469.002V.00.00 | Shock Absorber Of Unit | 2        |
| 3        | 3350.469.001V.00.00 | Shock Absorber Of Unit | 2        |
| 4        | 5789.06018.00.01    | Bolt                   | 4        |
| 5        | 5789.06012.00.01    | Bolt                   | 2        |
| 6        | 6178.05000.00.04    | Nut                    | 4        |
| 7        | 3145.469.001V.00.00 | Nut                    | 6        |
| 8        | 2470.469.001V.00.00 | Inverter               | 1        |
| 9        | 3410.467.003V.00.00 | Ground Wire            | 1        |

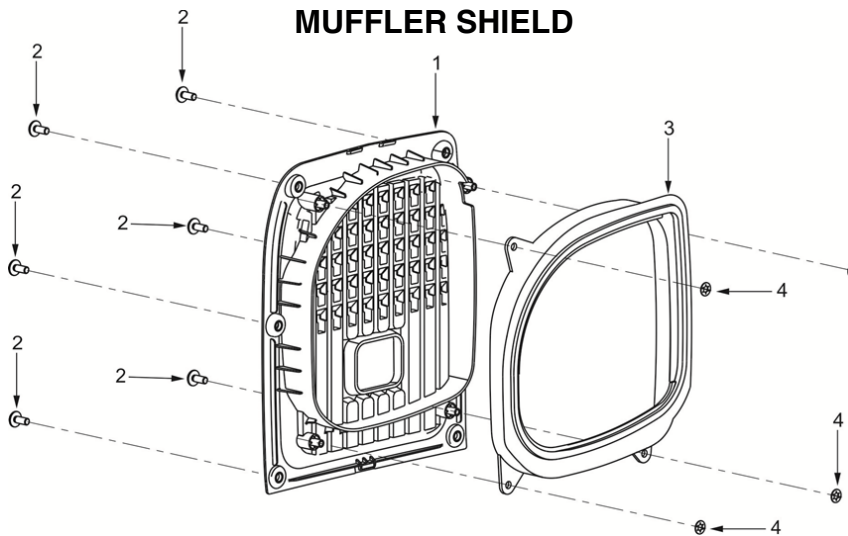


| PANEL |                     |                                      |          |
|-------|---------------------|--------------------------------------|----------|
| No.   | Part No.            | Description                          | Quantity |
| 1     | 6655.469.0040.00.00 | Panel Bed                            | 1        |
| 2     | 3370.469.1120.00.99 | Panel                                | 1        |
| 3     | 0818.05016.00.07    | Cross Recessed Pan Head Screw        | 8        |
| 4     | 0818.04014.00.01    | Screw                                | 1        |
| 5     | 2141.467.001V.A6.00 | Three In One Switch Handle           | 1        |
| 6     | 2140.467.011V.00.00 | Three In One Switch                  | 1        |
| 7     | 2140.467.011V.00.03 | Cable Assembly                       | 1        |
| 8     | 2332.467.002V.00.00 | Sheath                               | 1        |
| 9     | 0819.04212.00.01    | Cross Countersunk Head Tapping Screw | 3        |
| 10    | 6950.468.0020.00.00 | Control Harness                      | 1        |
| 11    | 6854.487.002V.00.00 | Voltage Regulating Rectifier         | 1        |
| 12    | 5787.05016.00.01    | Bolt                                 | 1        |

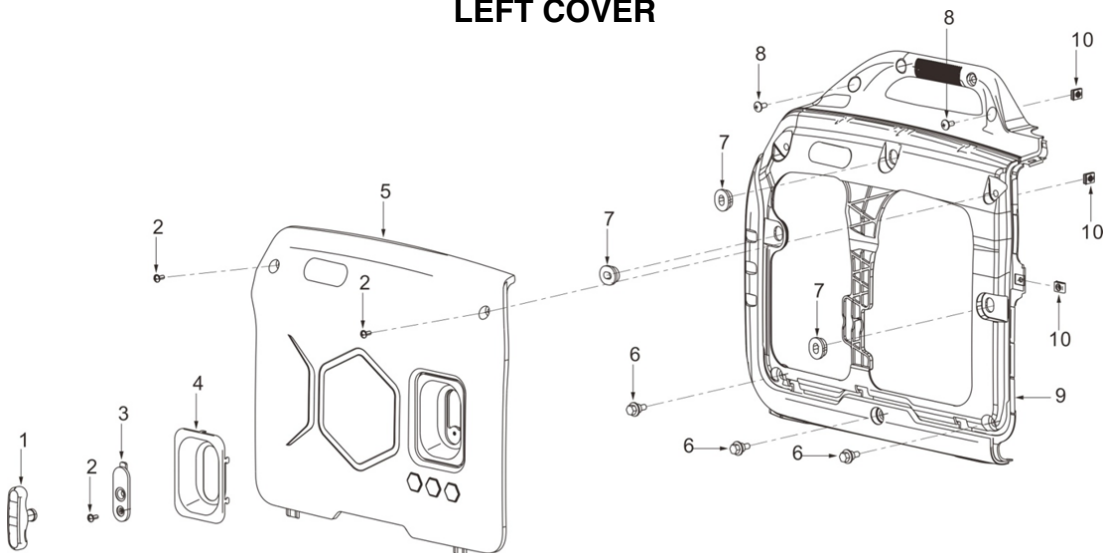
## CONTROL PANEL



## MUFFLER SHIELD



## LEFT COVER

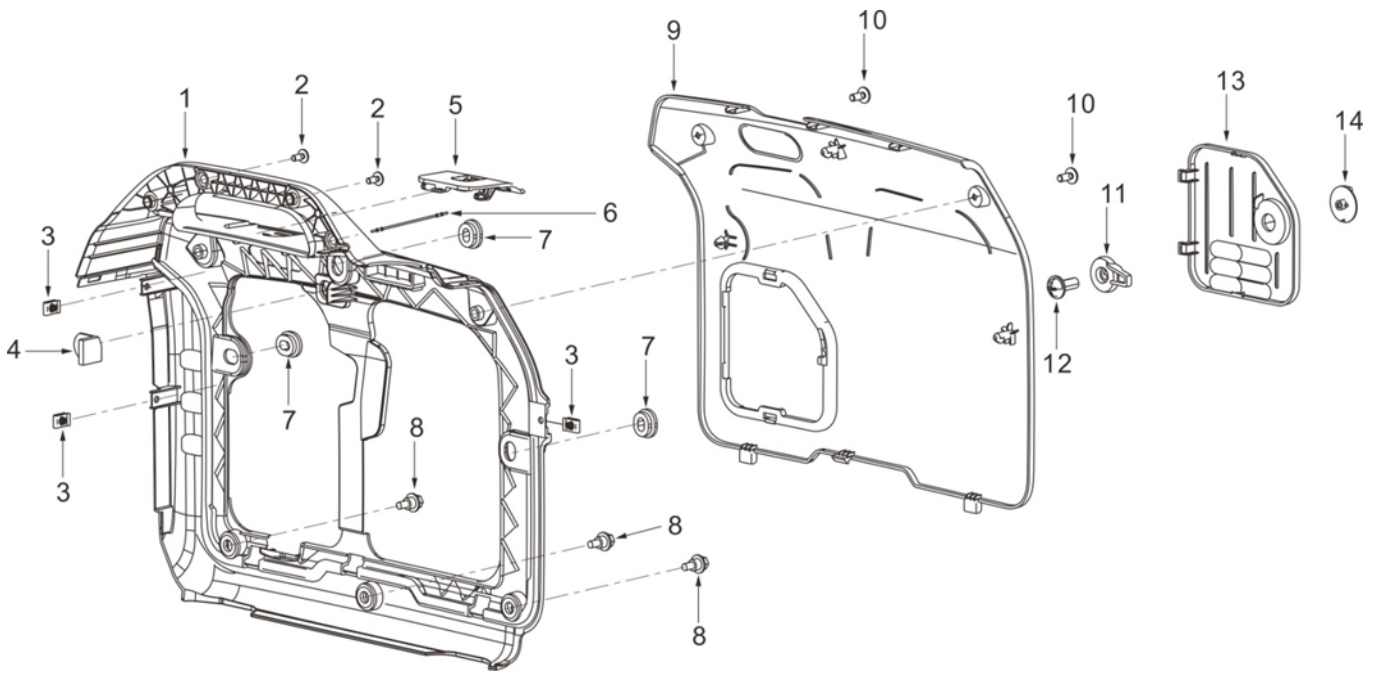


| <b>CONTROL PANEL</b> |                     |                                      |                 |
|----------------------|---------------------|--------------------------------------|-----------------|
| <b>No.</b>           | <b>Part No.</b>     | <b>Description</b>                   | <b>Quantity</b> |
| 1                    | 6655.469.0040.00.00 | Panel Bed                            | 1               |
| 2                    | 3370.469.1120.00.99 | Panel                                | 1               |
| 3                    | 0818.05016.00.07    | Cross Recessed Pan Head Screw        | 8               |
| 4                    | 0818.04014.00.01    | Screw                                | 1               |
| 5                    | 2141.467.001V.A6.00 | Three In One Switch Handle           | 1               |
| 6                    | 2140.467.011V.00.00 | Three In One Switch                  | 1               |
| 7                    | 2140.467.011V.00.03 | Cable Assembly                       | 1               |
| 8                    | 2332.467.002V.00.00 | Sheath                               | 1               |
| 9                    | 0819.04212.00.01    | Cross Countersunk Head Tapping Screw | 3               |
| 10                   | 6950.468.0020.00.00 | Control Harness                      | 1               |
| 11                   | 6854.487.002V.00.00 | Voltage Regulating Rectifier         | 1               |
| 12                   | 5787.05016.00.01    | Bolt                                 | 1               |

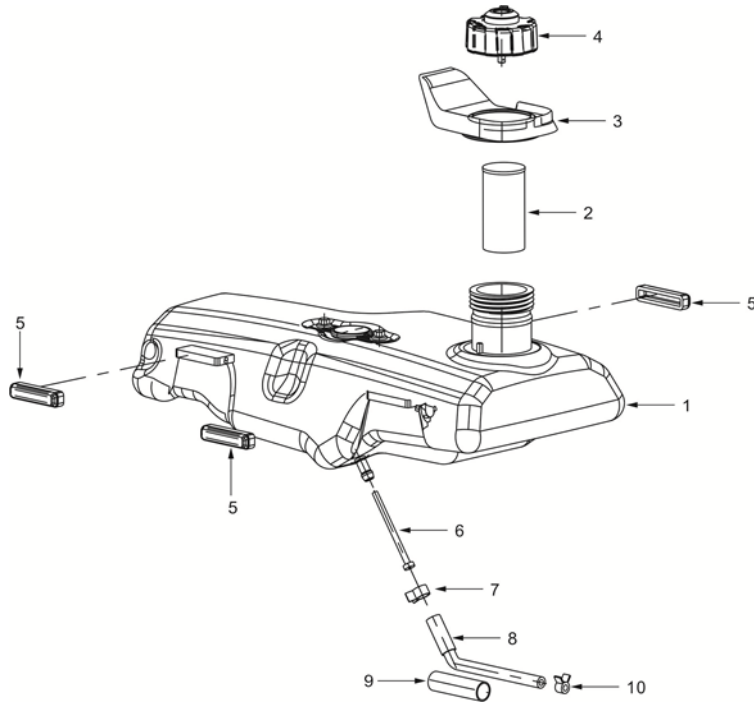
| <b>MUFFLER SHIELD</b> |                     |                        |                 |
|-----------------------|---------------------|------------------------|-----------------|
| <b>No.</b>            | <b>Part No.</b>     | <b>Description</b>     | <b>Quantity</b> |
| 1                     | 2420.469.002V.04.00 | Muffler Shield         | 1               |
| 2                     | 0818.05016.00.07    | Screw                  | 6               |
| 3                     | 7824.469.001V.00.00 | Muffler Sealant Sleeve | 1               |
| 4                     | 5598.467.001V.00.00 | Plum Ring              | 4               |

| <b>LEFT COVER</b> |                     |                    |                 |
|-------------------|---------------------|--------------------|-----------------|
| <b>No.</b>        | <b>Part No.</b>     | <b>Description</b> | <b>Quantity</b> |
| 1                 | 2000.T70.001V.04.03 | Starting Handle    | 1               |
| 2                 | 0818.05010.00.07    | Screw              | 3               |
| 3                 | 2186.T48.001V.00.00 | Cover Plate        | 1               |
| 4                 | 7866.469.0011.00.00 | Handle Trim Panel  | 1               |
| 5                 | 5596.469.003V.P4.00 | Ornament Shell     | 1               |
| 6                 | 4789.467.001V.00.00 | Step Bolts         | 3               |
| 7                 | 5522.467.002V.00.00 | Sheath             | 3               |
| 8                 | 0818.05016.00.07    | Screw              | 2               |
| 9                 | 2220.469.002V.04.00 | Left Shell         | 1               |
| 10                | 6178.05000.00.04    | Nut                | 3               |

## RIGHT COVER



## FUEL TANK COMPONENTS



| <b>RIGHT COVER</b> |                     |                               |                 |
|--------------------|---------------------|-------------------------------|-----------------|
| <b>No.</b>         | <b>Part No.</b>     | <b>Description</b>            | <b>Quantity</b> |
| 1                  | 2222.469.002V.04.00 | Right Shell                   | 1               |
| 2                  | 0818.05016.00.07    | Cross Recessed Pan Head Screw | 2               |
| 3                  | 6178.05000.00.04    | Nut                           | 3               |
| 4                  | 6234.467.002V.00.00 | Sheath                        | 1               |
| 5                  | 4259.469.001V.A6.00 | Spark-Plug Outer Cover        | 1               |
| 6                  | 4562.469.001V.00.00 | Anti Loss Rubber Strip        | 1               |
| 7                  | 5522.467.002V.00.00 | Sheath                        | 3               |
| 8                  | 4789.467.001V.00.00 | Step Bolts                    | 3               |
| 9                  | 5596.469.004V.A6.00 | Right Exterior Cover          | 1               |
| 10                 | 0818.05010.00.07    | Screw                         | 2               |
| 11                 | 6345.469.001V.04.00 | Knob Limit Card               | 1               |
| 12                 | 0845.04012.00.01    | Screw                         | 1               |
| 13                 | 7540.469.002V.A6.00 | Oil Maintenance Cover         | 1               |
| 14                 | 1560.469.001V.04.00 | Knob                          | 1               |

| <b>FUEL TANK COMPONENTS</b> |                      |                    |                 |
|-----------------------------|----------------------|--------------------|-----------------|
| <b>No.</b>                  | <b>Part No.</b>      | <b>Description</b> | <b>Quantity</b> |
| 1                           | 3200.469.C01V.00.00  | Tank,Fuel          | 1               |
| 2                           | 3200.467.001V.00.02  | Fuel Filter        | 1               |
| 3                           | 3200.469.001V.00.03  | Sheath             | 1               |
| 4                           | 3200.467.C05V.00.01  | Tank Cap           | 1               |
| 5                           | 7868.469.001V.00.00  | Sheath             | 3               |
| 6                           | 3208.P70.001V.00.00  | Filt Tip           | 1               |
| 7                           | 2360.458.R007V.00.00 | Ferrule            | 1               |
| 8                           | 2330.469.C010.00.22  | Oil Tube           | 1               |
| 9                           | 2332.467.006V.00.00  | Sheath             | 1               |
| 10                          | 2360.458.R003V.00.00 | Ferrule            | 1               |



## Power Your World

Tomahawk understands to keep a job-site running smoothly the proper equipment and spare parts are needed at the drop of a hat. With same day shipping and faster delivery times, count on Tomahawk to keep you powered throughout the day! With long lasting parts and engines, Tomahawk equipment will be the star of your fleet for years to come. Visit [www.tomahawk-power.com](http://www.tomahawk-power.com) to get started today!

# TOMAHAWK

TOMAHAWK®, LLC  
San Diego, CA

**Sales Support**  
(866) 577-4476  
[sales@tomahawk-power.com](mailto:sales@tomahawk-power.com)

**Equipment Support**  
(866) 577-4476  
[support@tomahawk-power.com](mailto:support@tomahawk-power.com)

[www.tomahawk-power.com](http://www.tomahawk-power.com)



**FACEBOOK**  
[facebook.com/TomahawkPowerUSA](https://facebook.com/TomahawkPowerUSA)

**YOUTUBE**  
[youtube.com/TomahawkPower](https://youtube.com/TomahawkPower)

**INSTAGRAM**  
[@tomahawkpower](https://instagram.com/tomahawkpower)