

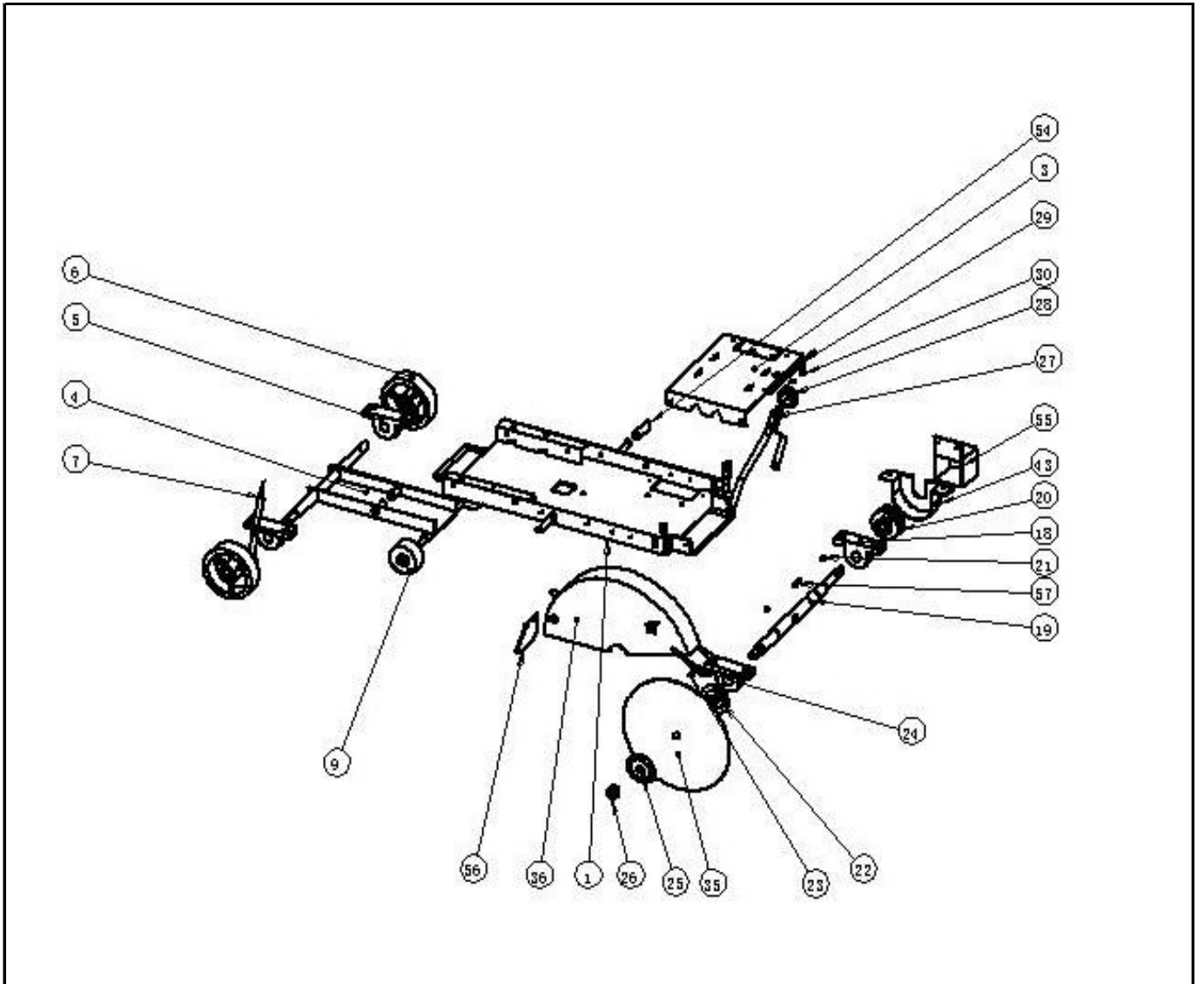


# PARTS MANUAL CONCRETE SAW

TFS18H SERIES



**PARTS LIST 1**  
**PMF18**

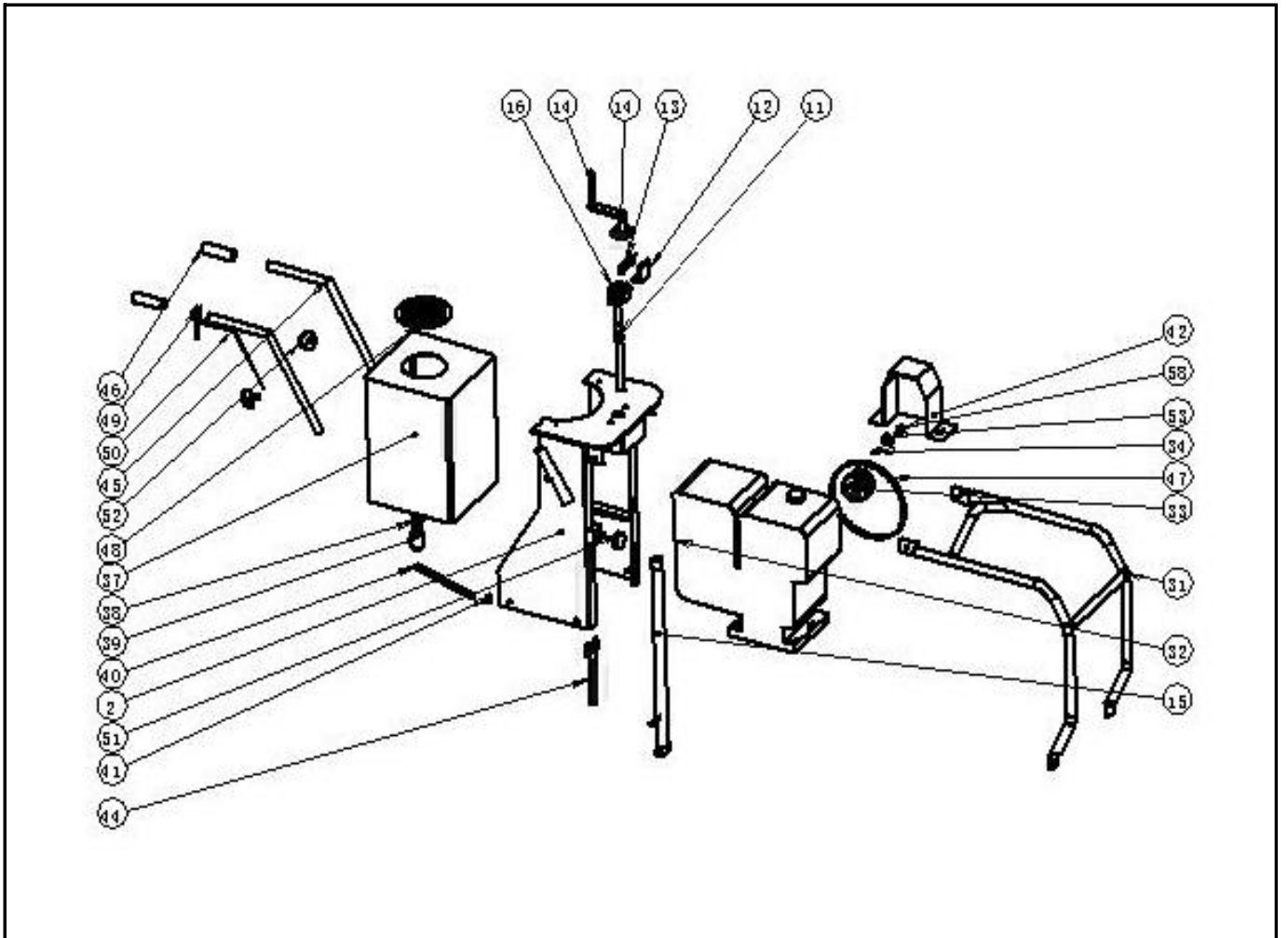


**PARTS LIST 1**  
**PMF18**

PMF18 PARTS LIST 1

ITEM NO.	PART NO.	DESCRIPTION	QTY	REMARK
1	PF1810001	BASE ASSY	1	
3	PF1810003	BASE ASSY OF ENGINE	1	
4	PF1810004	WHEEL FRAME	1	
5	PF1810005	BEARING & BRACKET 206	2	
6	PF1810006	RUBBER WASHER	2	
7	PF1810007	INDICATOR	1	
9	PF1810009	WHEEL (FRONT)	2	
10	PF1810010	ROLLING BEARINGS	2	
18	PF1810018	BEARING & BRACKET 207	2	
19	PF1810019	PRINCIPAL AXIS	1	
20	PF1810020	PULLEY AXIS	1	
21	PF1810021	PIN 6X12	2	
22	PF1810022	BLADE FLANG( INNER)	1	
23	PF1810023	PIN	1	
24	PF1810024	NUT M8	1	
25	PF1810025	BLADE FLANG( IOUT)	1	
26-1	PF1810026-1	NUT M22-LEFT	1	
26-2	PF1810026-2	NUT M22-RIGHT	1	
27	PF1810027	GUIDE FRAME	1	
28	PF1810028	GUIDE WHEEL	1	
29	PF1810029	DOUBLE-ENDED POINTER	1	
30	PF1810030	NUT M6	2	
35	PF1810035	BLADE	1	
36	PF1810036	BLADE GUARD	1	
43	PF1810043	INNER BELT GUARD	1	
54	PF1810054	BLACK SHAFT GUARD	1	
55	PF1810055	GUARD AXIS	1	
56	PF1810056	WATERSHIELD	1	
57	PF1810057	KEYS 8X36	1	

**PARTS LIST 2**  
**PMF18**

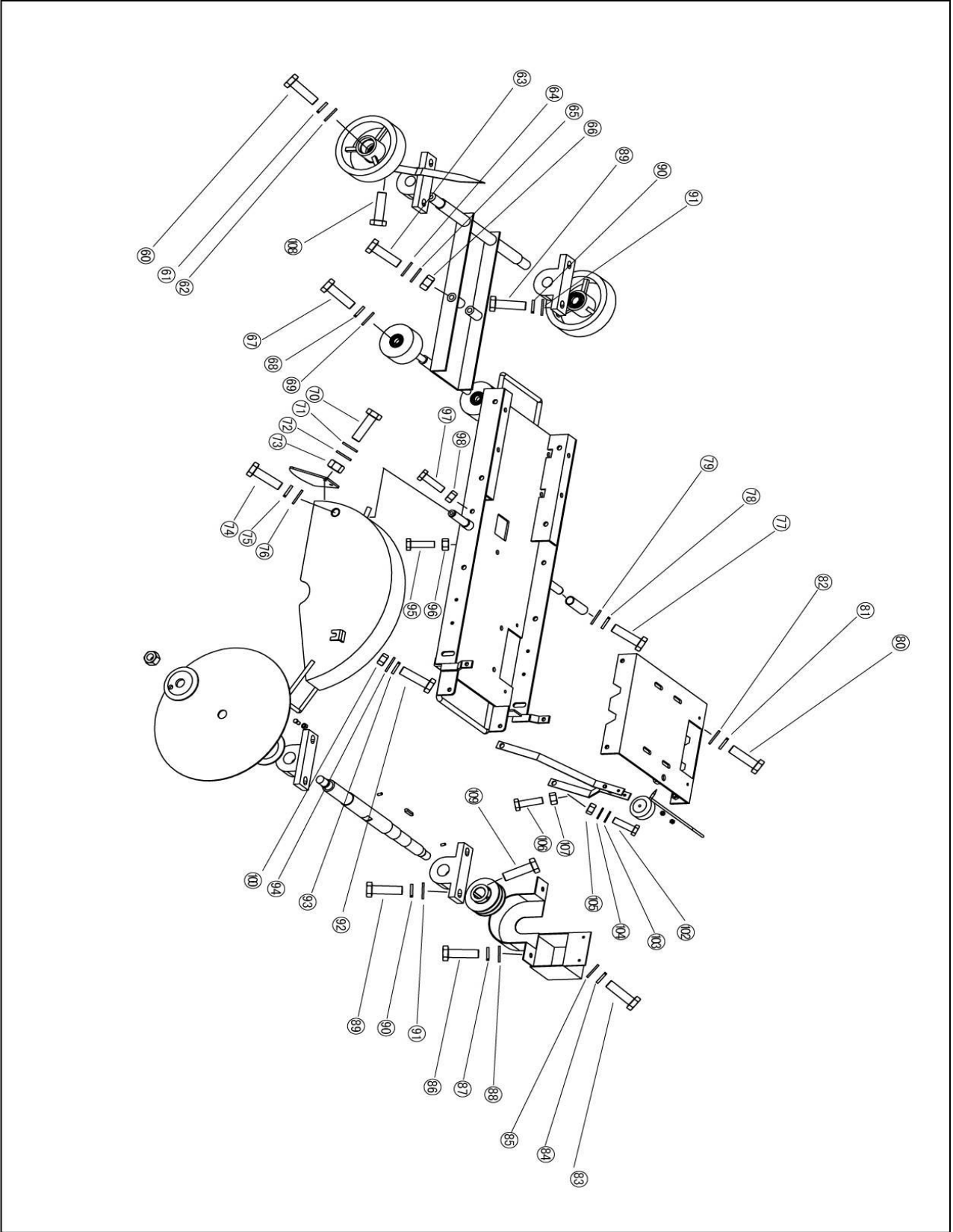


**PARTS LIST 2**  
**PMF18**

PMF18 PARTS LIST 2

ITEM NO.	PART NO.	DESCRIPTION	QTY	
2	PF1820002	WATER TANK HOLDER	1	
11	PF1820011	THREADED ROD	1	
12	PF1820012	LOCKING PLATE	1	
13	PF1820013	LOCKING PIN	1	
14	PF1820014A	CRANK A	1	
	PF1820014B	CRANK B	1	
15	PF1820015	LIFTING PIPE	1	
16	PF1820016	BEARING & BRACKET	1	
31	PF1820031	FRAME	1	
32	PF1820032-1	HONDA ENGINE GX390	1	
	PF1820032-1	ROBIN ENGINE EH36	1	
	PF1820032-3	LOMBARDINI ENGINE LD225	1	
33	PF1820033	ENGINE PULLEY	1	
34	PF1820034	KEY 6 X 28	1	
37	PF1820037	WATER TANK	1	
38	PF1820038	ELBOW BEND	1	
39	PF1820039	COCK	1	
40	PF1820040	PLASTIC PIPE	1	
41	PF1820041	ELBOW	1	
42	PF1820042	OUTER BELT GUARD	1	
43	PF1820043	INNER BELT GUARD	1	
44	PF1820044	WRENCH	1	
45	PF1820045	HANDLE LEVER	2	
46	PF1820046	HANDLE BAR GRIP	2	
47	PF1820047	BELT	1	
48	PF1820048	WATER TANK COVER	1	
49	PF1820049	THROTTLE SWITCH	1	
50	PF1820050	THROTTLE CABLE	1	
51	PF1820051	CROSS SCREW	1	
52	PF1820052	BIG CROSS SCREW	2	
53	PF1820053	WASHER	1	
58	PF1820058	BOLT M10X25	1	

**PARTS LIST 3**  
**PMF18**



**PARTS LIST 3**  
**PMF18**

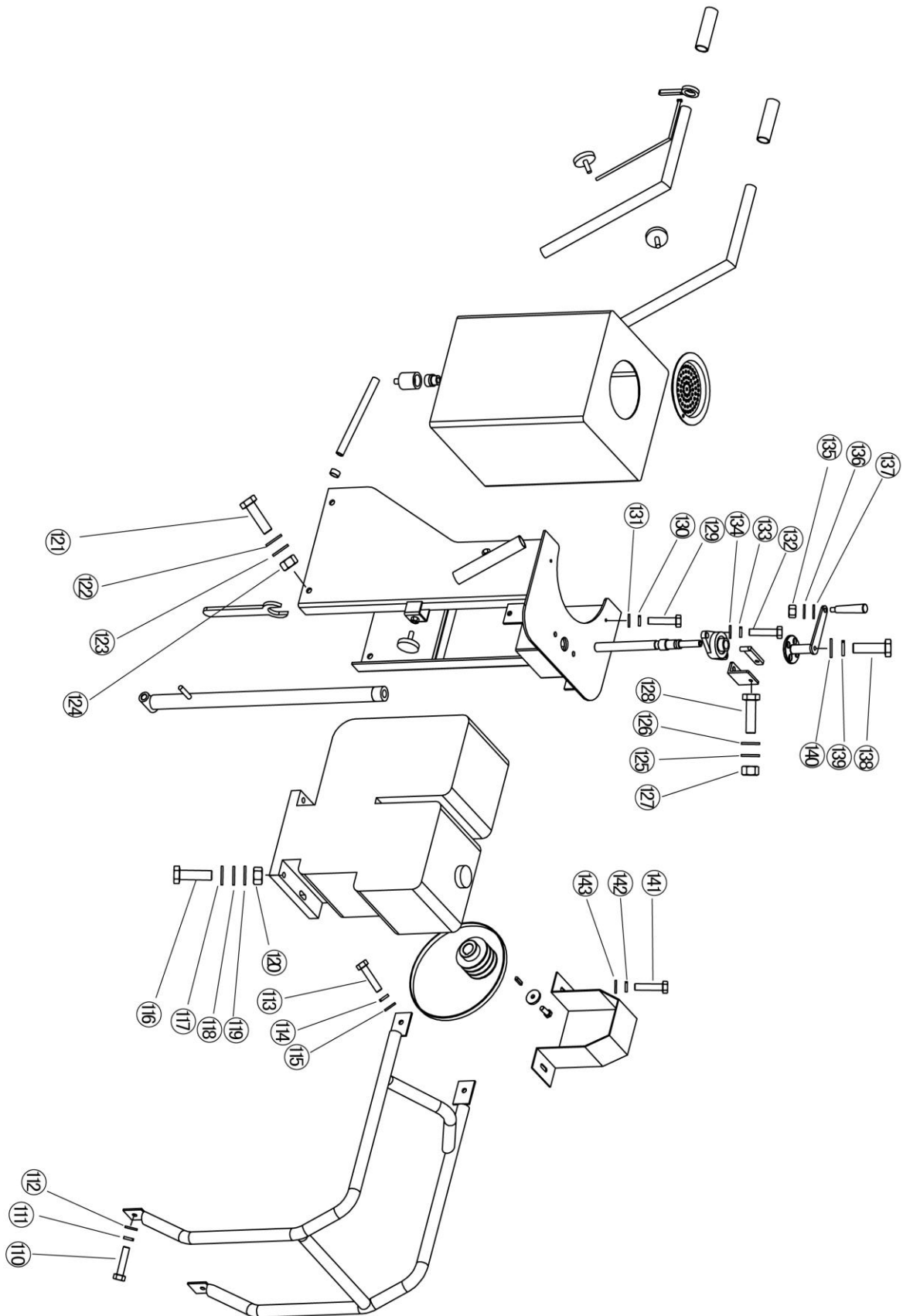
PMF18 PARTS LIST 3

ITEM NO.	PART NO.	DESCRIPTION	QTY	
60	PF1830060	BOLT M12X20	2	
61	PF1830061	SPRING WASHER 12	2	
62	PF1830062	WASHER 12	2	
63	PF1830063	BOLT M12X170	1	
64	PF1830064	WASHER 12	1	
65	PF1830065	WASHER 12	1	
66	PF1830066	NUT M12	1	
67	PF1830067	BOLT M8X20	2	
68	PF1830068	SPRING WASHER 8	2	
69	PF1830069	WASHER 8	2	
70	PF1830070	BOLT M8X12	2	
71	PF1830071	WASHER 8	2	
72	PF1830072	WASHER 8	2	
73	PF1830073	NUT M8	2	
74	PF1830074	BOLT M10X20	1	
75	PF1830075	SPRING WASHER 10	1	
76	PF1830076	WASHER 10	1	
77	PF1830077	NUT M10X20	1	
78	PF1830078	SPRING WASHER 10	1	
79	PF1830079	WASHER 10	1	
80	PF1830080	NUT M10X30	4	
81	PF1830081	SPRING WANSHER 10	4	
82	PF1830082	WASHER 10	4	
83	PF1830083	BOLT M8X20	2	
84	PF1830084	SPRING WASHER 8	2	
85	PF1830085	WASHER 8	2	
86	PF1830086	BOLT M8X20	2	
87	PF1830087	SPRING WASHER 8	2	
88	PF1830088	WASHER 8.	2	
89	PF1830089	BOLT M12X45	8	
90	PF1830090	SPRING WASHER 12	8	
91	PF1830091	WASHER 12	8	
92	PF1830092	BOLT M10X30	1	
93	PF1830093	SPRING WASHER 10	1	
94	PF1830094	WASHER 10	1	
95	PF1830095	BOLT M12X85	1	





**PARTS LIST 4**  
**PMF18**



**PARTS LIST 4**  
**PMF18**

PMF18 PARTS LIST 4

ITEM NO.	PART NO.	DESCRIPTION	QTY	REMARK
110	PF1804110	BOLT M10X30	2	
111	PF1804111	SPRING WASHER 10	2	
112	PF1804112	WASHER 10	2	
113	PF1804113	BOLT M10X20	2	
114	PF1804114	SPRING WASHER 10	2	
115	PF1804115	WASHER 10	2	
116	PF1804116	BOLT M10X45	4	
117	PF1804117	WASHER 10	4	
118	PF1804118	WASHER 10	4	
119	PF1804119	SPRING WASHER 10	4	
120	PF1804120	NUT M10	4	
121	PF1804121	BOLT M12X70	4	
122	PF1804122	WASHER 12	4	
123	PF1804123	WASHER 12	4	
124	PF1804124	NUT M12	4	
125	PF1804125	WASHER 8	1	
126	PF1804126	WASHER 8	1	
127	PF1804127	NUT M8	1	
128	PF1804128	BOLT M8X25	1	
129	PF1804129	BOLT M8X12	2	
130	PF1804130	SPRING WASHER 8	2	
131	PF1804131	WASHER 8	2	
132	PF1804132	BOLT M10X45	2	
133	PF1804133	SPRING WASHER 10	2	
134	PF1804134	WASHER 10	2	
135	PF1804135	NUT M10	1	
136	PF1804136	SPRING WASHER 10	1	
137	PF1804137	WASHER 10	1	
138	PF1804138	BOLT M10X20	1	
139	PF1804139	SPRING WASHER 10	1	
140	PF1804140	WASHER 8	1	
141	PF1804141	BOLT M8-20	2	
142	PF1804142	SPRING WASHER 8	2	
143	PF1804143	WASHER 8	2	



**Tomahawk Power, LLC**

402 W Broadway Suite 810

San Diego, CA 92119

Tel. (866) 577-4476

E-mail. [contacto@tomahawk-power.com](mailto:contacto@tomahawk-power.com)

[www.tomahawk-power.com](http://www.tomahawk-power.com)