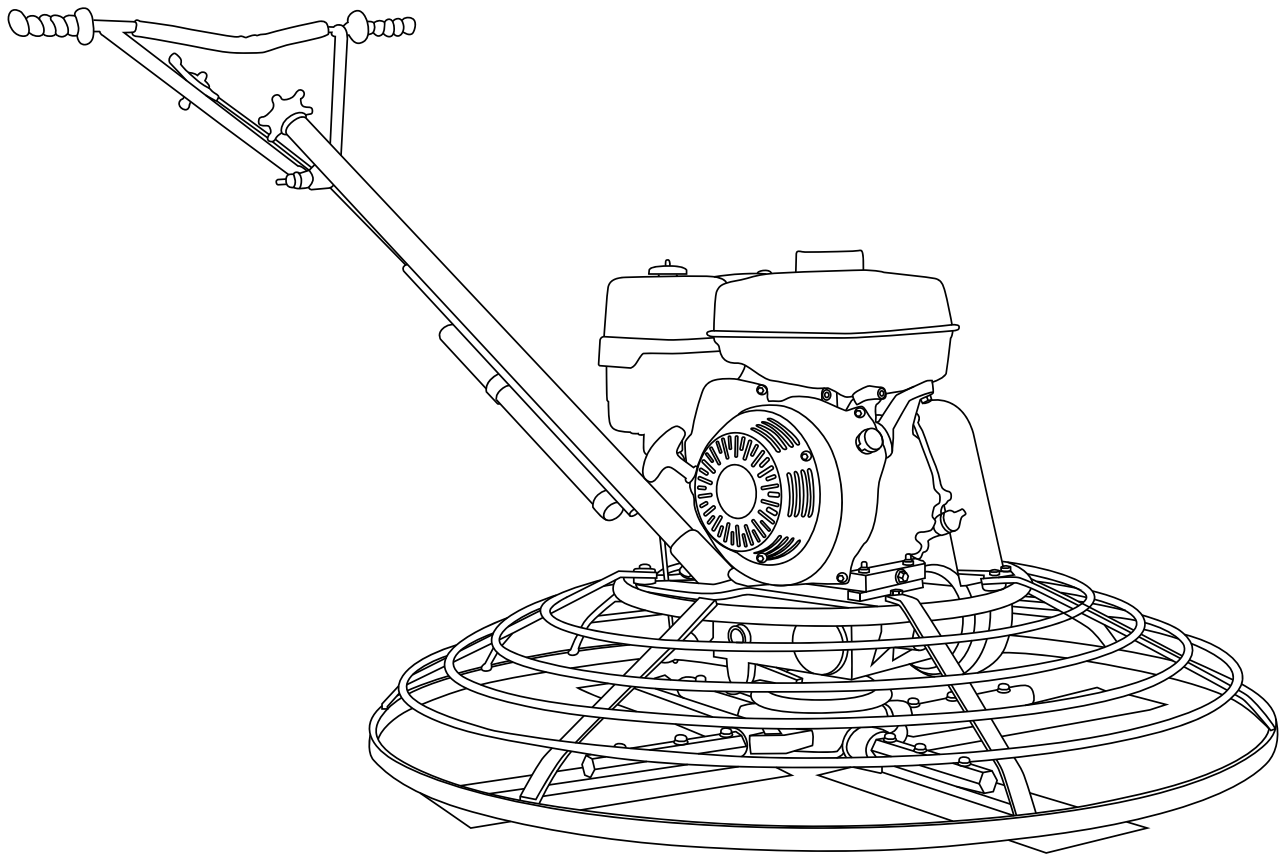


TOMAHAWK

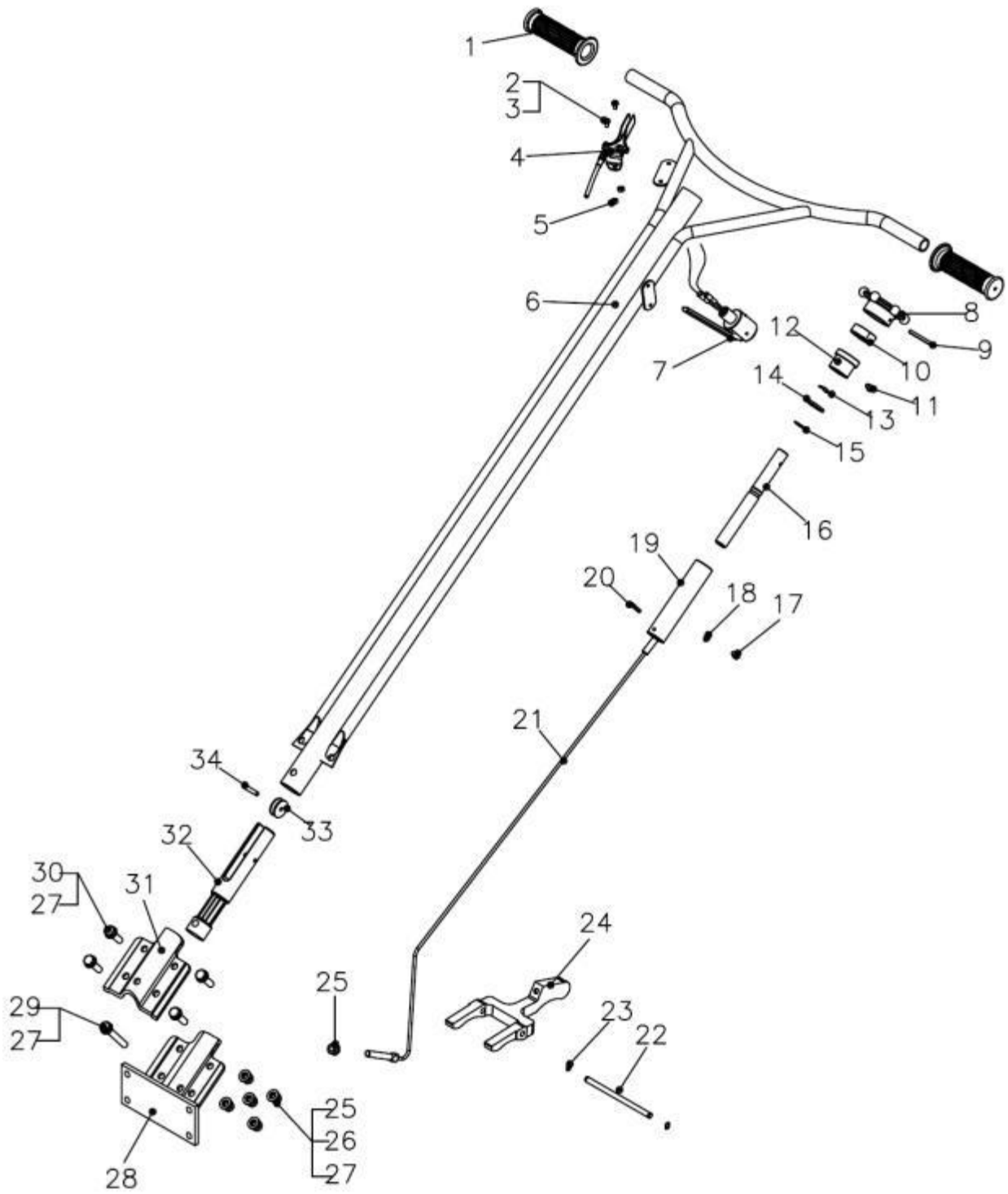
**JXPT36K and JXPT46K
POWER TROWEL**

Parts Manual



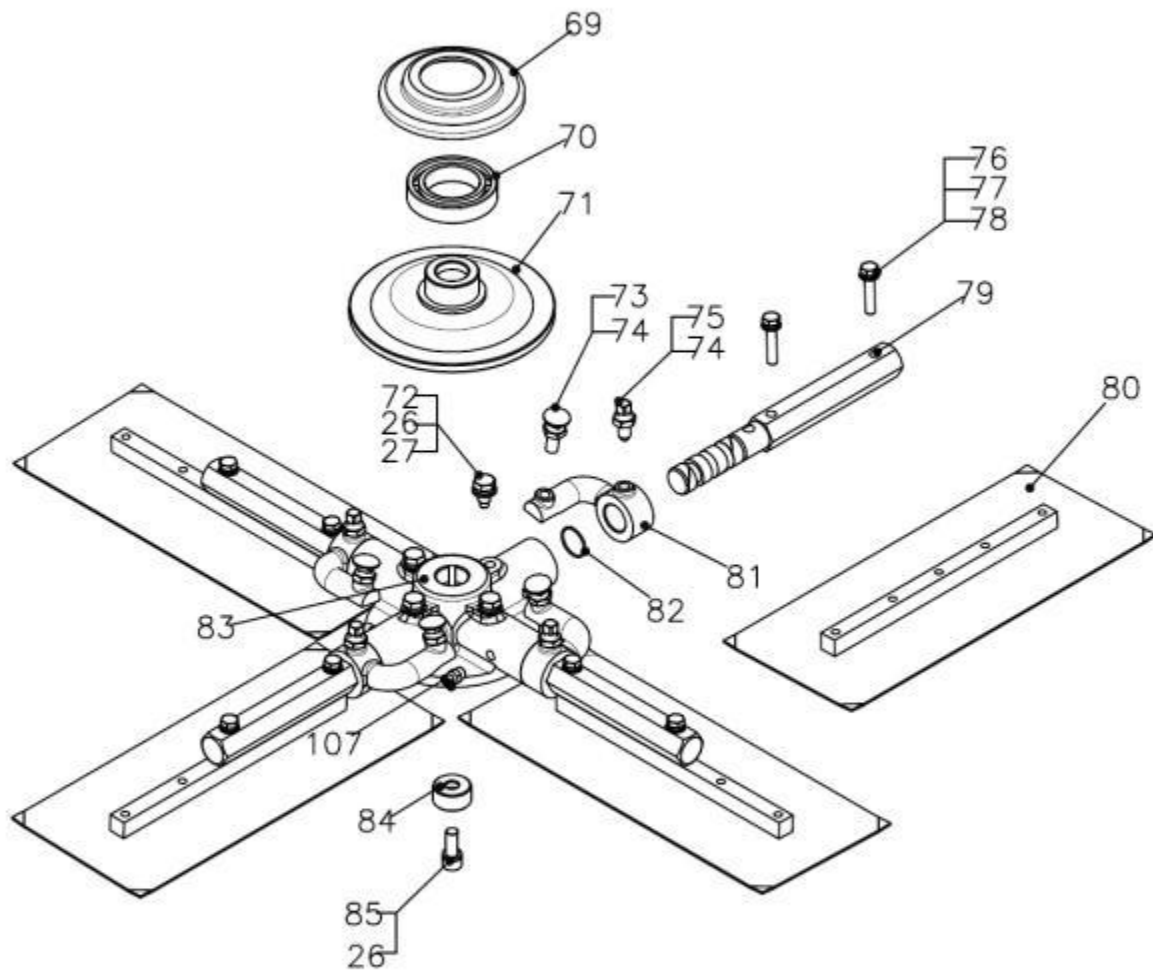
Parts Diagram

Handle



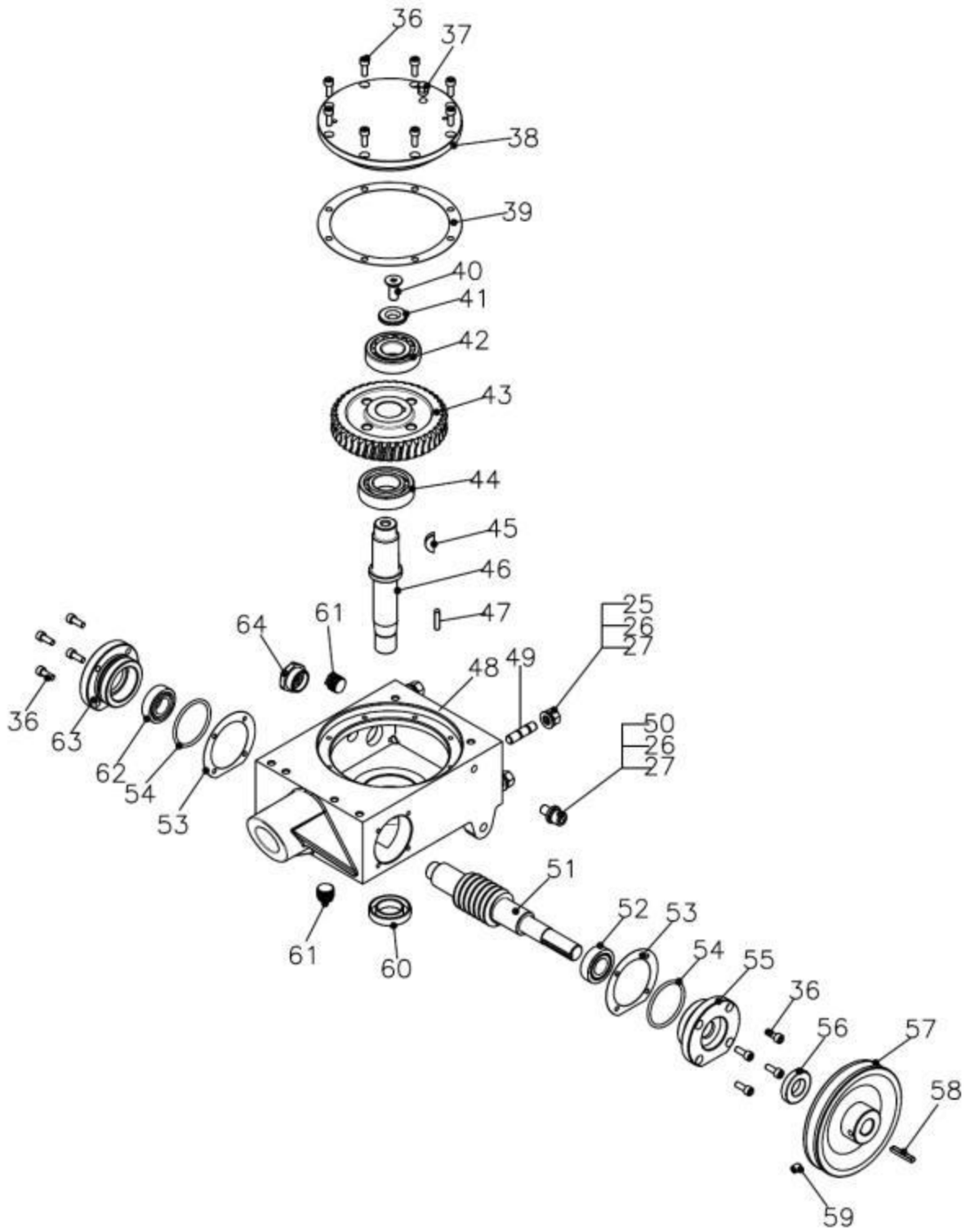
REF	Parts No.	Description	Q'TY	Dimension
1	RG-003	Plastic Cover	2	
2	QSC-M4*8	Screw	2	M4x8
3	QWS-PM4	Plate Washer	2	M4
4	TSA-01	Throttle Assy.	1	
5	QNT-NM4	Nylock Nut	2	M4
6	W436F-001	Handle WA	1	
7	PAS-02	Stop Switch(release bar Type)	1	
8	436F-01-001	Adjust Knob	1	
9	QSP-5X50	Spring Pin	1	5x50
10	QBR-51104	Bearing	1	
11	QBL-M6X10	Bolt	1	M6x10
12	436F-01-004	Aluminium Guide	1	
13	QWS-WM19	Wave Washer	1	M19
14	QWS-PM19	Plate Washer	1	M19
15	QSR-S18	Snap Ring	1	S18
16	436F-01-002	Adjust Screw Pipe	1	
17	QBL-M6X8	Bolt	1	M6x8
18	QWS-PM6	Spring Washer	1	M6
19	436F-01-003	Screw Guide	1	
20	QSP-5X30	Spring Pin	1	5x30
21	436F-01-007 WT	Steel Wire	1	
22	436F-02-004	Yoke Arm Pin	1	
23	QSR-S10	Snap Ring	2	S10
24	436F-02-003B	Yoke Arm	1	
25	QNT-NM10	Nylock Nut	10	M10
26	QWS-SM10	Spring Washer	14	M10
27	QWS-PM10	Plate Washer	18	M10
28	436F-02-001	Handle Support Base	1	
29	QBL-M10X70	Bolt	1	M10x70
30	QBL-M10X35	Bolt	4	M10x35
31	436F-02-002	Upper Bracket	1	
32	436F-01-005	Alumium yoke	1	
33	436A-01-010	Wheel	1	
34	QSP-3X30	Spring Pin	1	3x30

Blade



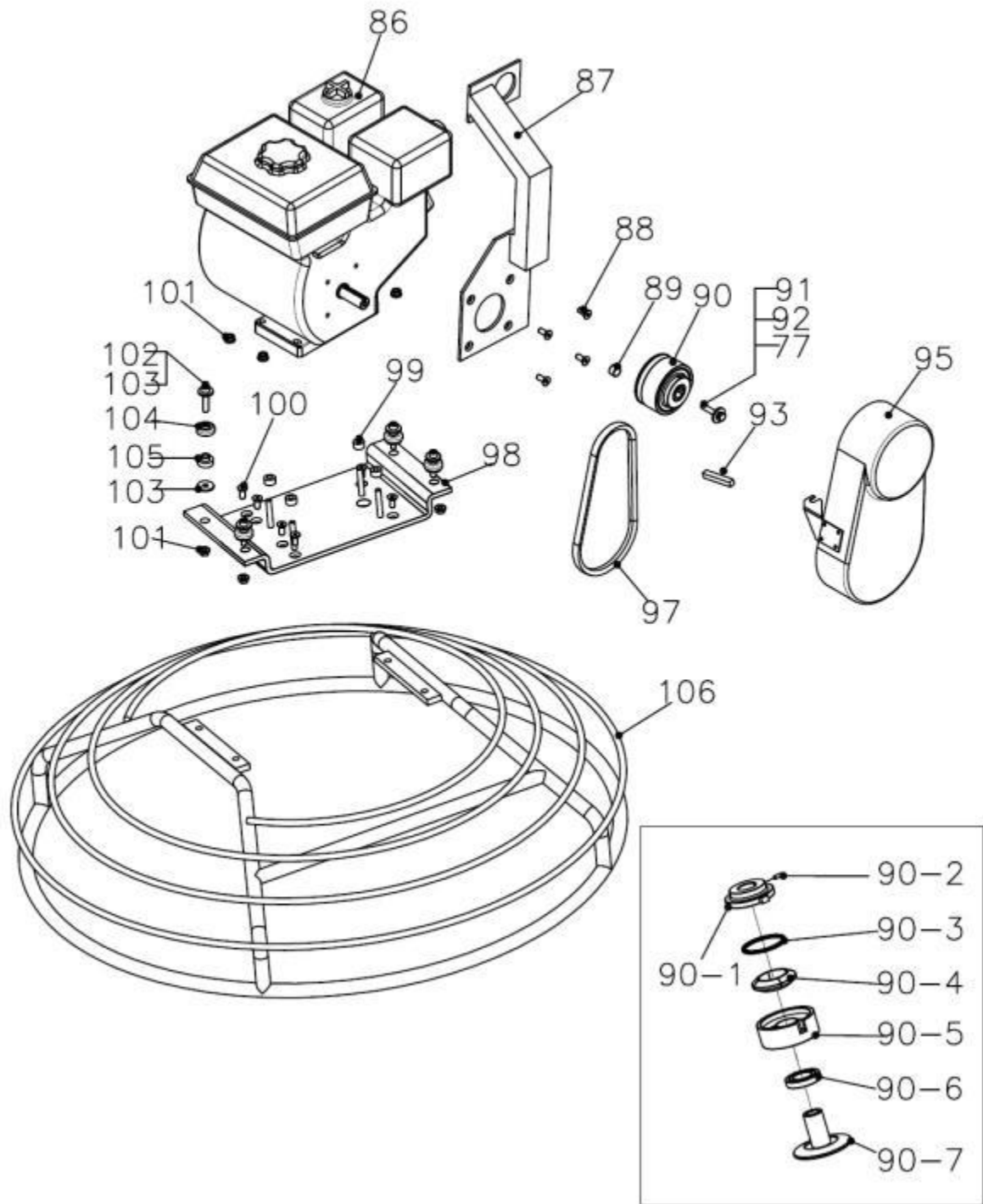
REF	Parts No.	Description	Q'TY	Dimension
26	QWS-SM10	Spring Washer	5	M10
27	QWS-PM10	Plate Washer	4	M10
69	436F-02-005B	Press Plate Cap	1	
70	QBR-6009	Bearing	1	6009
71	436F-02-006B	Press Plate Cap	1	
72	QBL-M10X20	Bolt	4	M10x20
73	QBL-BBM10X35	Round Head Bolt	4	M10x35
74	QNT-TM10	Thin Nut	8	M10
75	QBL-SHM10X30	Square Head Bolt	4	
76	QBL-7/16X11/2	Bolt	8	7/16*3/2L
77	QWS-SM8	Spring Washer	8	M8
78	QWS-PM8	Plate Washer	8	M8
79	436F-02-009B	Blade Arm	4	
80	436F-02-014	Blade Assembly	4	
81	436F-02-008	Tilt Arm	4	
82	QOR-S22	O-ring	4	22x1.5t
83	436F-02-007B	Spider	1	
84	436F-02-010	Spider Bushing	1	
85	QBL-LM10X30	Socket Bolt	1	M10x30

Gear Box



REF	Parts No.	Description	Q'TY	Dimension
	436F-03	Gear Box Assembly	1	
25	QNT-NM10	Nylock Nut	4	M10
26	QWS-SM10	Spring Washer	5	M10
27	QWS-PM10	Plate Washer	5	M10
36	QBL-M6X16	Bolt	16	M6x16L
37	QRV-M8	Release Valve	1	
38	436F-03-004	Big Cover	1	
39	436F-03-005	Gasket of Big Cover	1	
40	QBL-FHM10x25	Flat Socket Head Bolt	1	M10x25
41	QWS-SSM10	Washer	1	M10
42	QBR-30305	Bearing	1	30305
43	436F-03-008	Worm Gear	1	
44	QBR-6206	Bearing	1	6206
45	QKY-W6X10X25	Wood Key	1	6x10x25
46	436F-02-012	Main Shaft	1	
47	QKY-6X25	Key	1	6x25
48	436F-03-001	Shell	1	
49	QBL-STM10x40	Stud Bolt	4	M10x40
50	QBL-M10X16	Bolt	1	M10x16
51	436F-03-007	Worm Shaft	1	
52	QBR-32004	Bearing	1	32004
53	436F-03-006	Gasket of Side Cover	2	
54	QOR-P55	O-Ring	2	55x3.5t
55	436F-03-003	Output Side Cover	1	
56	QOS-20X40X8	Oil Seal	1	20x40x8t
57	436F-04-005	Pulley	1	
58	QKY-5X35	Key	1	5x35
59	QBL-M8X10	Bolt	1	M8x10
60	QOS-27X47X10	Oil Seal	1	27x47x10t
61	436A-03-008WT	Oil Drain	2	
62	QBR-6004	Bearing	1	6004
63	436F-03-002	Side Cover	1	
64	QOCW-M27x1.5	Oil Check Windows	1	M27x1.5

Safety Ring



REF	Parts No.	Description	Q'TY	Dimension
77	QWS-SM8	Spring Washer		M8
86	GX160	Engine GX-160	1	
87	W436F-005	Hook Lift	1	(Option)
88	QBL-SHM8X20	Socket Head Cap Bolt	4	(Option)
89	436F-04-013	Clutch Busing	1	
90	CA-01	Clutch	1	
90-1	CA-01-004	Face Plate	1	
90-2	QBL-AM8x16	Set Screw	2	M8x16
90-3	CA-01-005	Clutch Spring	1	
90-4	CA-01-003	Shoe Weight	1	
90-5	CA-01-002	Clutch Drum	1	
90-6	QBR-6006	Bearing	1	6006
90-7	CA-01-001	Clutch Shaft	1	
91	QBL-M8X35	Bolt	1	
92	QWS-SPM8	Special Plate Washer	1	
93	QKY-5x5x50	Key	1	
95	436F-04-006	Belt Cover	1	
97	QBT-A26	V-Belt	1	A26
98	W436F-002	Engine Mount Plate		
99	436F-04-107	Engine Mount Bushing		
100	QBL-FHM8X20	Flat Head Cap Bolt	4	
101	QNT-M8	Nut	8	M8
102	QBL-LM8X40	Socket Head Bolt	4	M8X40
103	QWS-PM8	Plate Washer	8	M8
104	436F-04-004	Cup	4	
105	436F-04-003	Rubber	4	
106	W436F-004B	Safety Ring	1	

TOMAHAWK

PRODUCT CATALOG

COMPACTION



HONDA
ENGINES

3,550 lbs/ft Vibratory Rammer
Part#: TR68H

3.6 HP Honda GXR120 Engine
Easily achieve a 100% compaction rating
3-in-One Fuel System with carburetor protection
13" x 11" plate for narrow trenches and corners
3 Year Engine Warranty & 1 Year Product Warranty



HONDA
ENGINES

3,400 lbs/ft Plate Compactor
Part#: TPC90H

5.5 HP Honda GX160 Engine
Easily achieve a 100% compaction rating
22" x 20" cold, rolled steel beveled base plate
Includes 3.5 gallon water tank for asphalt compaction
3 Year Engine Warranty & 1 Year Product Warranty



HONDA
ENGINES

KOHLER
ENGINES

3,000 lbs/ft Plate Compactor
Part#: TPC80 & TPC80H

6 HP Kohler CH260 & 5.5 HP Honda GX160 Engines
Easily achieve a 100% compaction rating
16.5" x 21.5" plate for narrow trenches and corners
Optional Honda Engine model: TPC80H
3 Year Engine Warranty & 1 Year Product Warranty

FINISHING



6.5 Gal Backpack Concrete Sprayer
Part#: TCS6.5

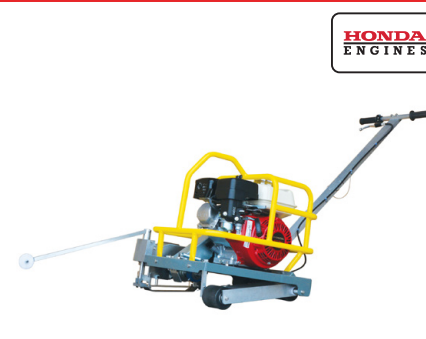
Maintain constant, adjustable pressure up to 450 PSI
Achieve superior concrete finishes with even spraying
Spray 15,000 sq ft in less than 10 minutes
Compatible with major manufacturer wands
1 Year Product Warranty



HONDA
ENGINES

1.6 HP Vibratory Concrete Screed
Part#: TVSA-H

1.6 HP Honda GX35 Engine
Aluminum Magnesium blades available from 8ft - 14ft
Finish concrete 4X faster than other screed methods
360° adjustable handle placement
3 Year Engine Warranty & 1 Year Product Warranty



HONDA
ENGINES

6" Early Entry Green Concrete Saw
Part#: TFS6H

5.5 HP Honda GX160 Engine
Maximum cutting depth of 1 3/16 inches
OSHA compliant vacuum port for dust collection
Includes 6" early entry concrete blade
3 Year Engine Warranty & 1 Year Product Warranty

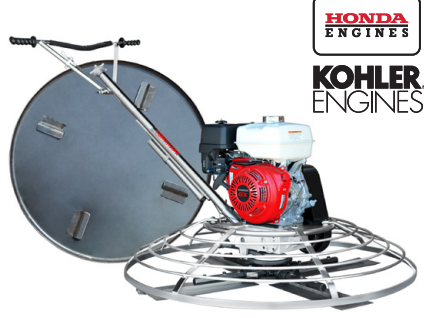
FINISHING



HONDA
ENGINES

1.6HP Backpack Concrete Vibrator
Part#: TVIBH + TVW10-P

1.6 HP Honda GX35 engine
Consolidation with speeds of 10,000-12,000 VPM
Quick Connect centrifugal clutch vibrator
1" and 2" Diameter Whips Available in 10ft Length
3 Year Engine Warranty & 1 Year Product Warranty



HONDA
ENGINES

KOHLER
ENGINES

36" & 46" Concrete Power Trowel
Part#: TPT36H/K & TPT46H/K

6 HP/14HP Kohler & 5.5HP/8.5HP Honda Engines
Adjust trowel blade pitch from 0-28°
60-115 RPM rotor speed for superior concrete finishes
Includes float pan and trowel blades
3 Year Engine Warranty & 1 Year Product Warranty



HONDA
ENGINES

8" Gas Powered Concrete Scarifier
Part#: TSCAR8H

5.5 HP Honda GX160 Engine
Remove traffic lines at 800 - 1,000 linear ft/hr
Tungsten Carbide Blade Kit Available
OSHA approved dust port for silica vacuum removal
3 Year Engine Warranty & 1 Year Product Warranty

HAVE QUESTIONS?

Contact us. *We're here to help!*

Email us at sales@tomahawk-power.com



POWER YOUR WORLD

Tomahawk understands to keep a job-site running smoothly the proper equipment and spare parts are needed at the drop of a hat. With same day shipping and faster delivery times, count on Tomahawk to keep you powered throughout the day! With long lasting parts and engines, Tomahawk equipment will be the star of your fleet for years to come. Visit www.tomahawk-power.com to get started today!

Tomahawk Power, LLC
San Diego, CA

Sales Support
(866) 577-4476
sales@tomahawk-power.com

Equipment Support
(866) 577-4476
support@tomahawk-power.com

www.tomahawk-power.com



FACEBOOK
facebook.com/TomahawkPowerUSA

YOUTUBE
youtube.com/TomahawkPower

INSTAGRAM
[@tomahawkpower](https://instagram.com/tomahawkpower)