

Output adaptor 4-20 mA

2-wire principle passive

Insert the adaptor as follows:

A port with a small 4-pole contact strip is located on the main board of the displaying device (LX or e-litro series).
The adaptor has to be plugged and fixed there with an M3 screw.



Connection data:

Output clamp: (1) plus (2) minus

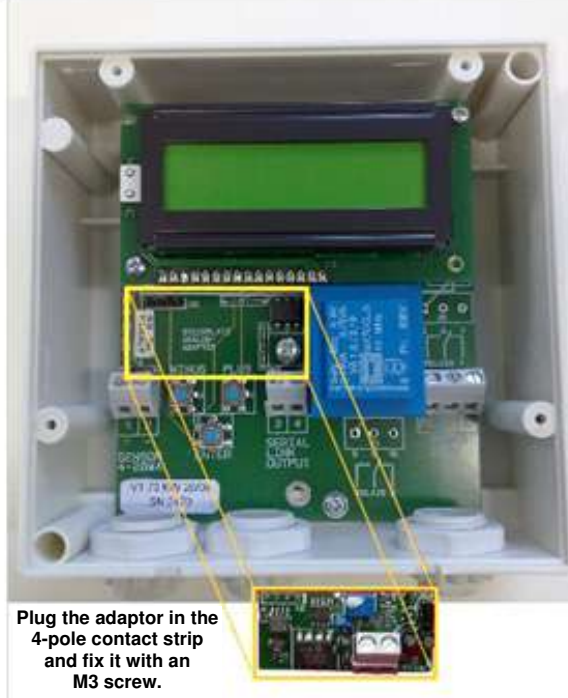
Two-wire principle with 10 - 24 V operating voltage.

4 mA output current = 0% tank inventory.

20 mA output current = 100% tank inventory.

The characteristic curve of the signal is proportional to the liter inventory.

Adaptor Plug for LX-2, LX-2-R, e-litro, secu4



Plug the adaptor in the 4-pole contact strip and fix it with an M3 screw.

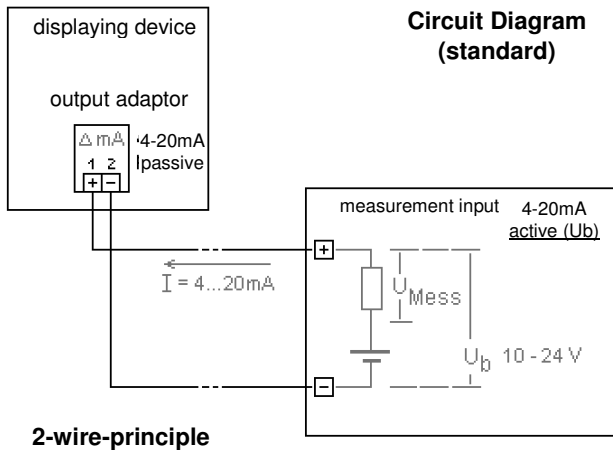
Adaptor Plug for the 'net / gsm / Q' devices



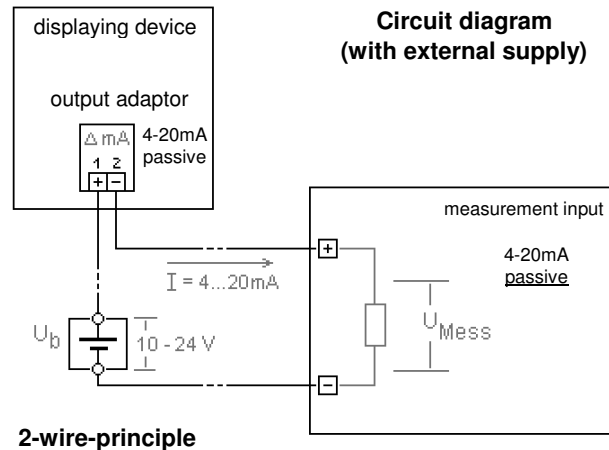
plug-in position for adaptor

Standard: Active Measurement Input

Circuit Diagram (standard)



Circuit diagram (with external supply)



Circuit diagram (3-wire principle)

