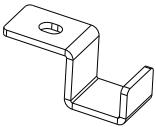


UCM001

Underdesk Mesh Cable Manager

### Parts



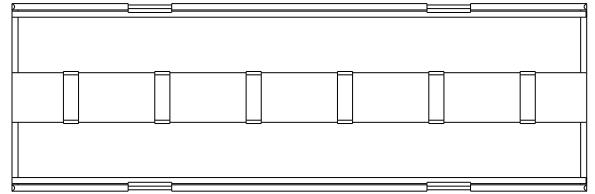
4  
hanging  
brackets



4  
ST4.8x19  
Screws



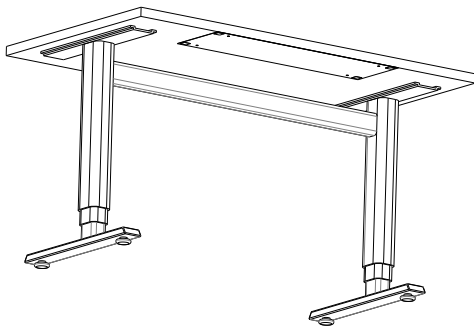
1  
template



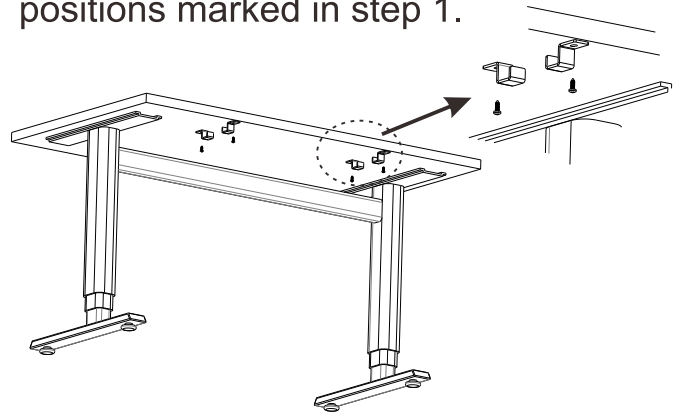
1  
cable manager

### Assembly Step

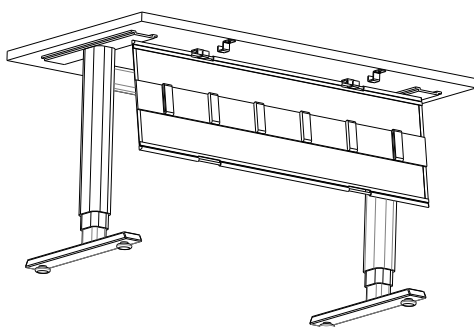
1. Stick the template on the underside of desk, and mark the holes positions.



2. Install the hanging brackets with the hook sides facing inward using the ST4.8x19 screws into the hole positions marked in step 1.



3. Hang one side of the cable manager into the brackets. Secure your power strip and cables into the cable manager using the velcro strips.



4. Hang the other side of cable manager into the other set of brackets.

