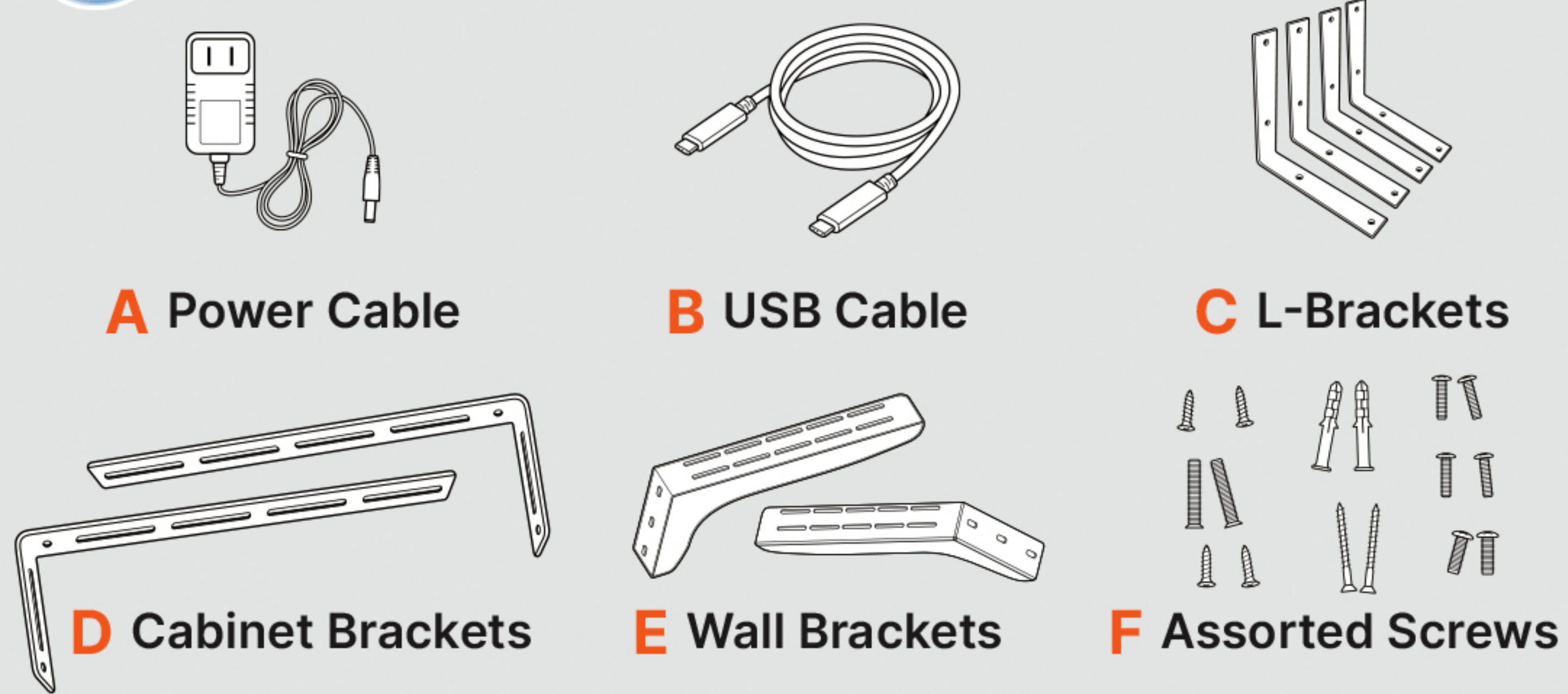


Projector Slider Instruction Manual

1 Check Your Accessories

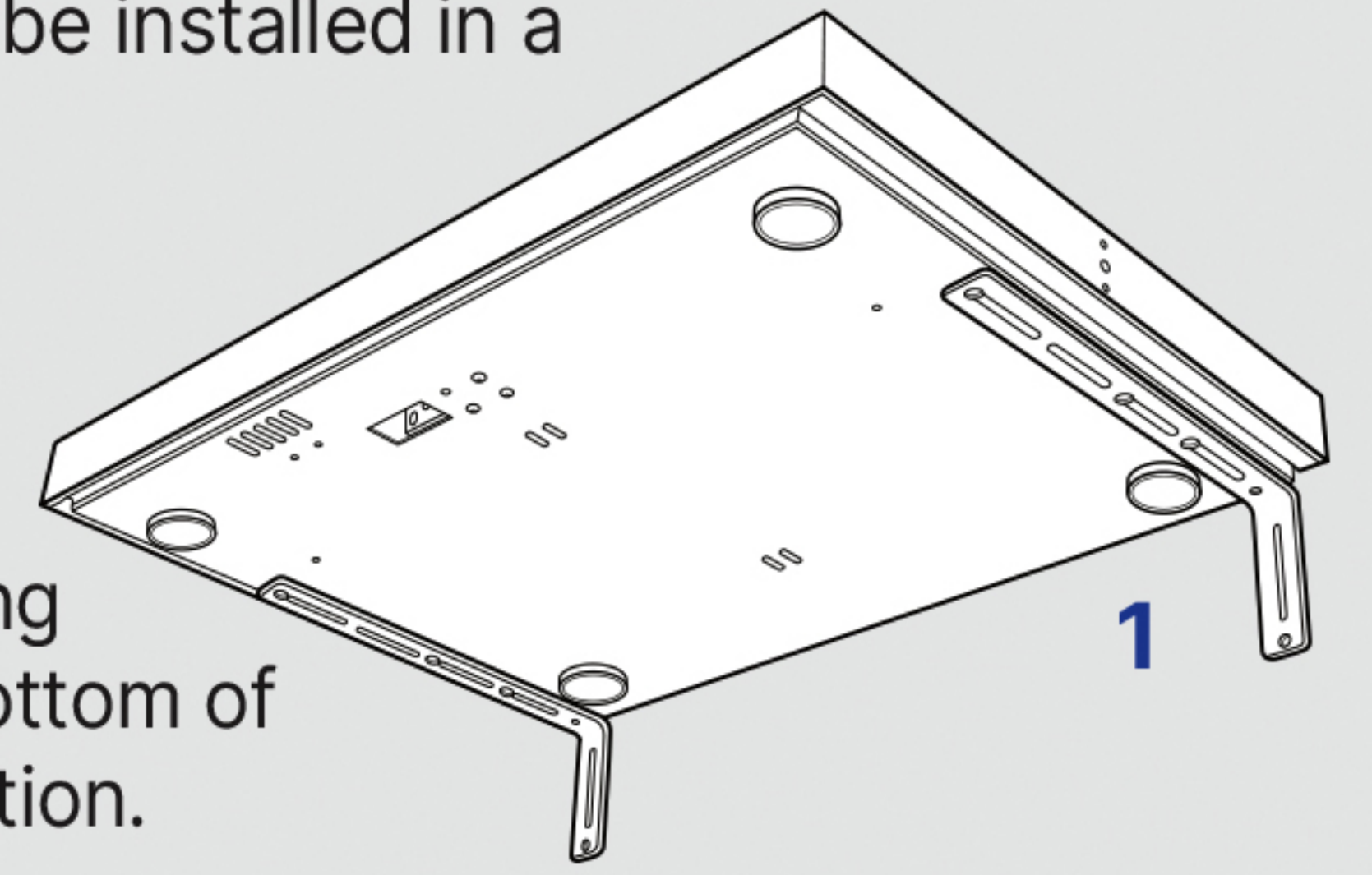


2 Cabinet or Wall Bracket Installation

Table/Credenza Installation: Attach parts **D** as pictured in **figure 1**. The brackets should be installed in a downward position.

OR

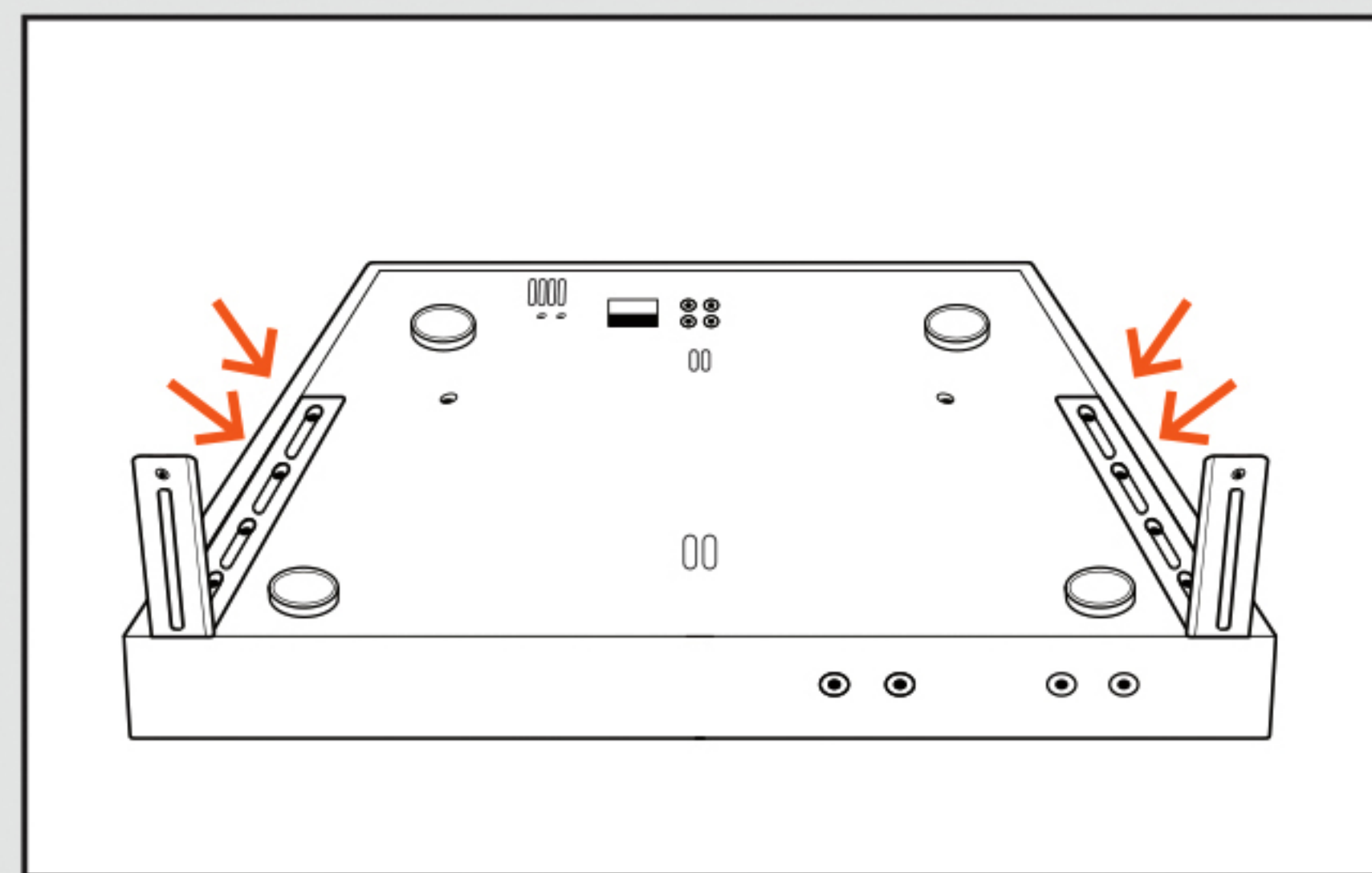
Wall Installation: Attach parts **E** similarly to **figure 1**, with the brackets' long side positioned against the bottom of the Slider in a downward position.



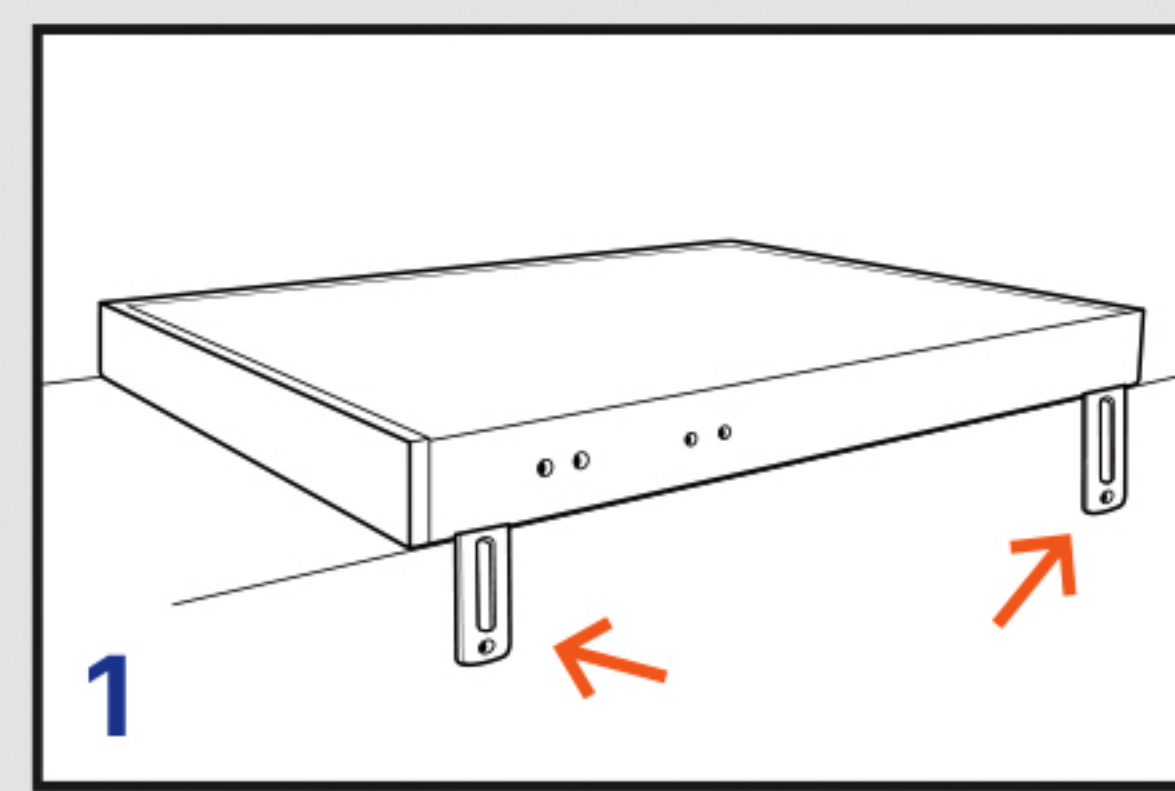
3 Affix Bracket Plates to Slider Tray

Attach your selected bracket (**D** or **E**) to the slider tray by using screws (**F**).

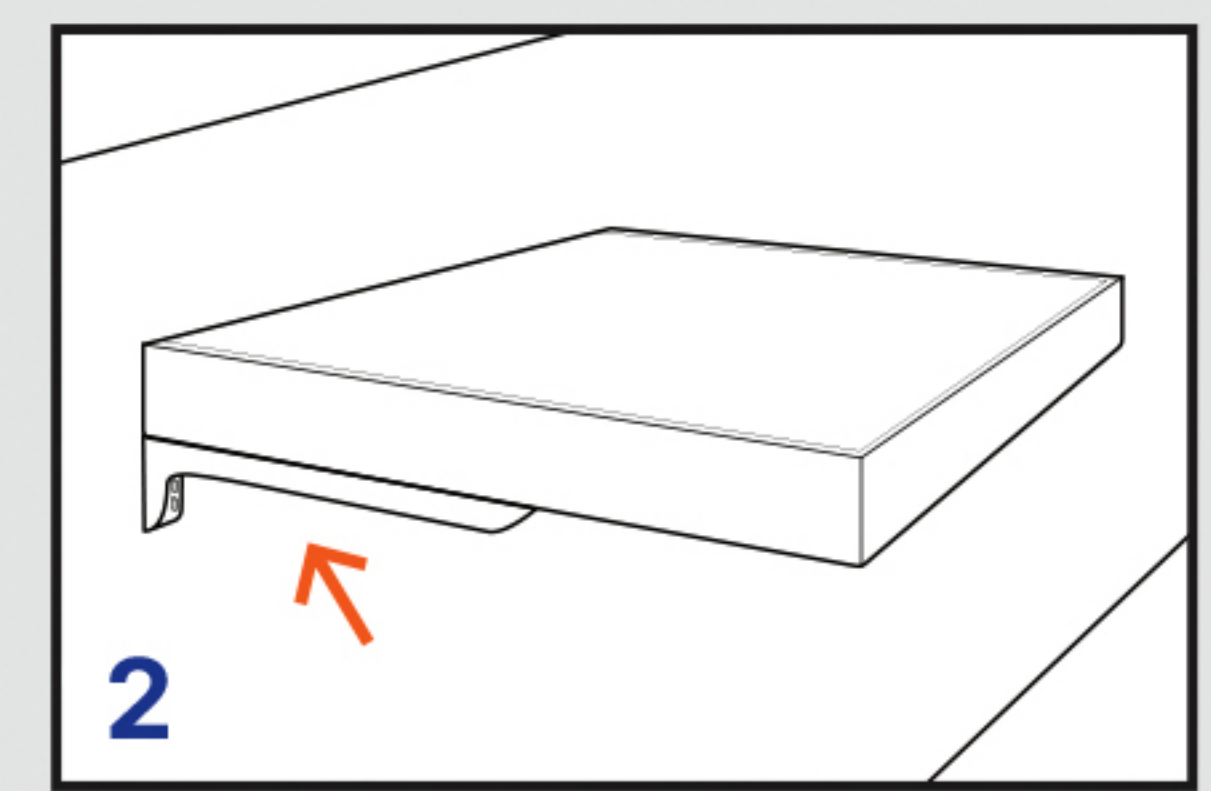
You can adjust the position using the different mount holes.



4 Attach Bracket Extensions



1 Table / Credenza Mounting Example



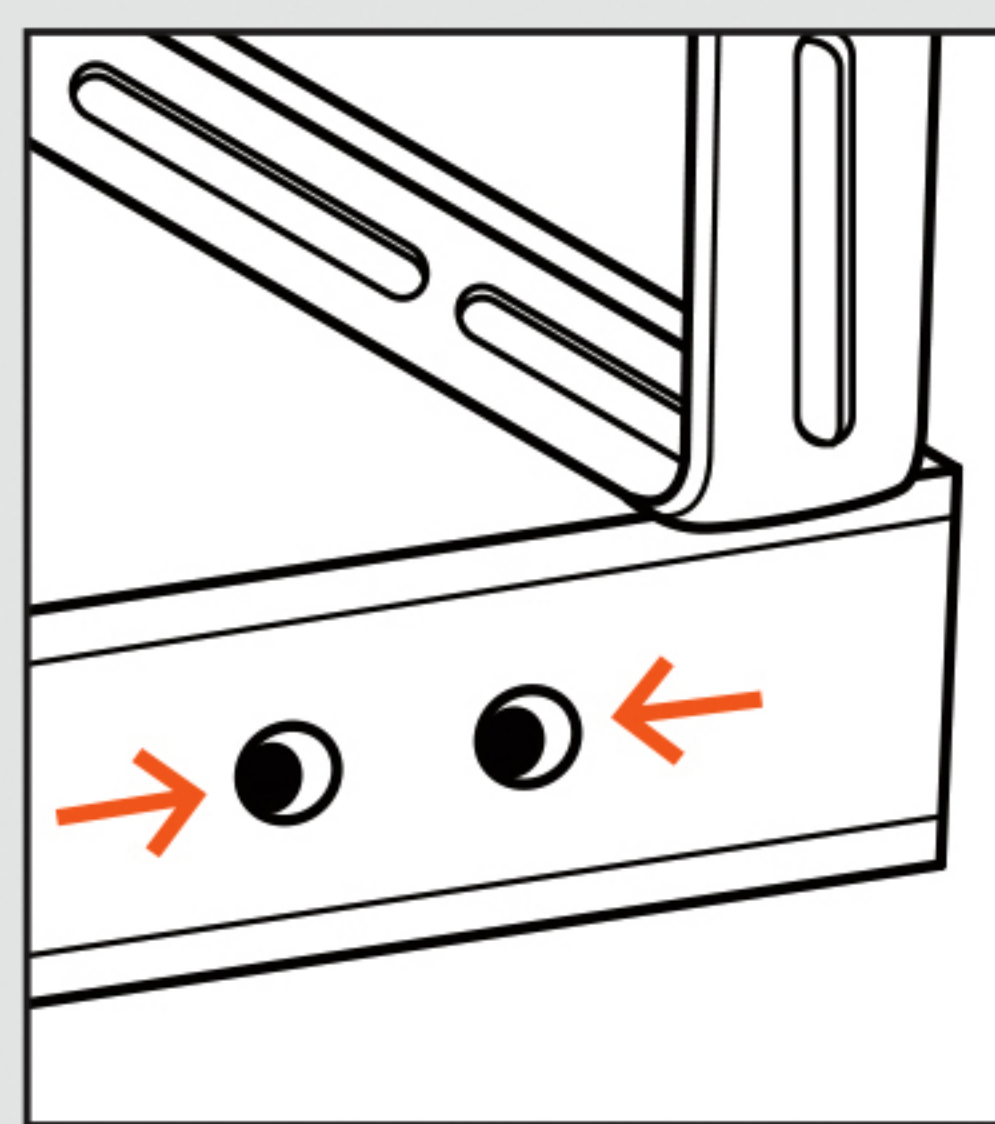
2 Wall Mounting Example

5 Adjust Slider Positioning

After the UST projector is turned on, adjust the travel length by pressing the forward and backward buttons on the rear of the slider tray.

Leave it for 30 seconds to memorize the position. **Power off the slider, and leave it for 10 seconds before powering on again.**

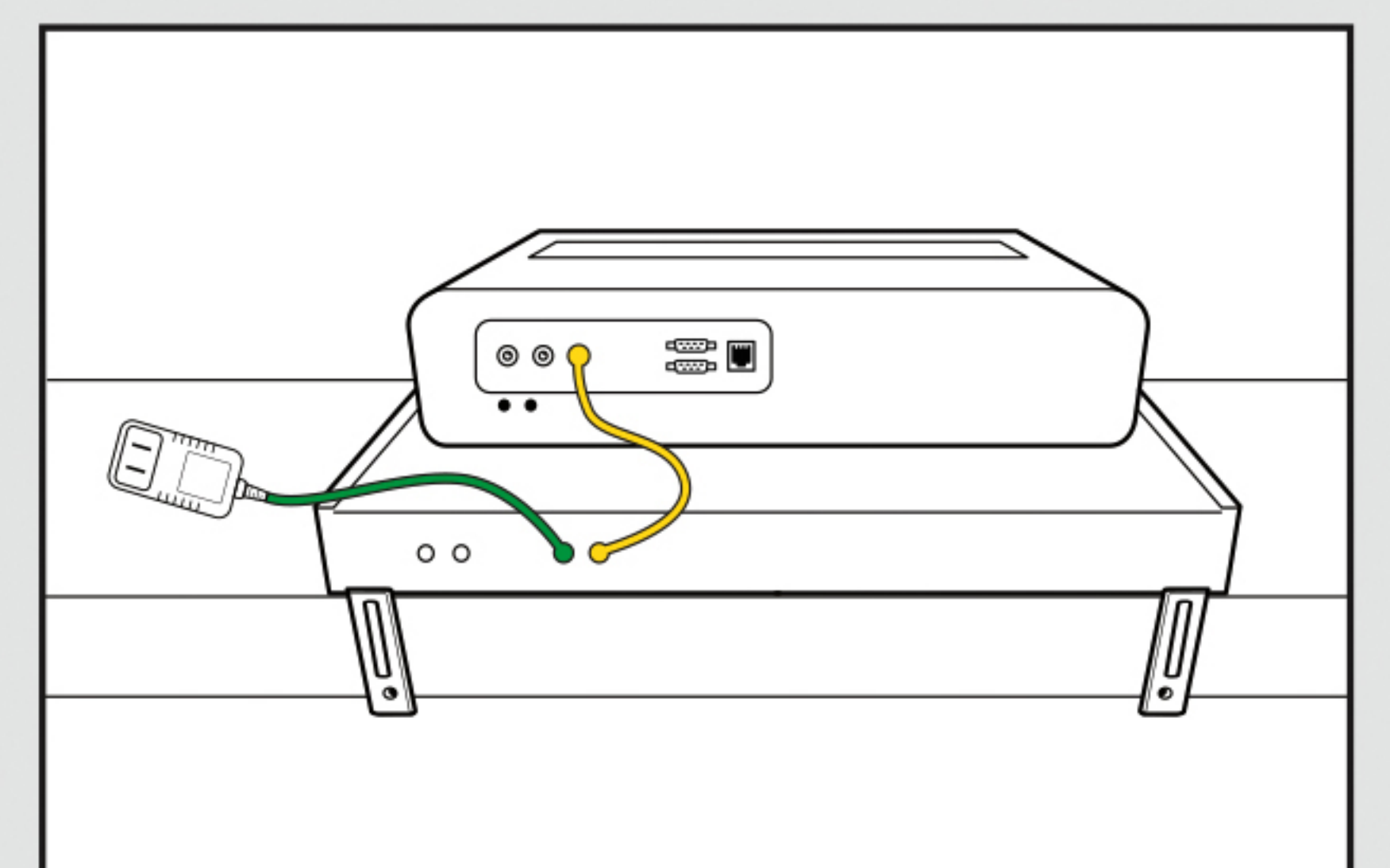
The slider is now set to use this position as a preset.



6 Connect Your Slider

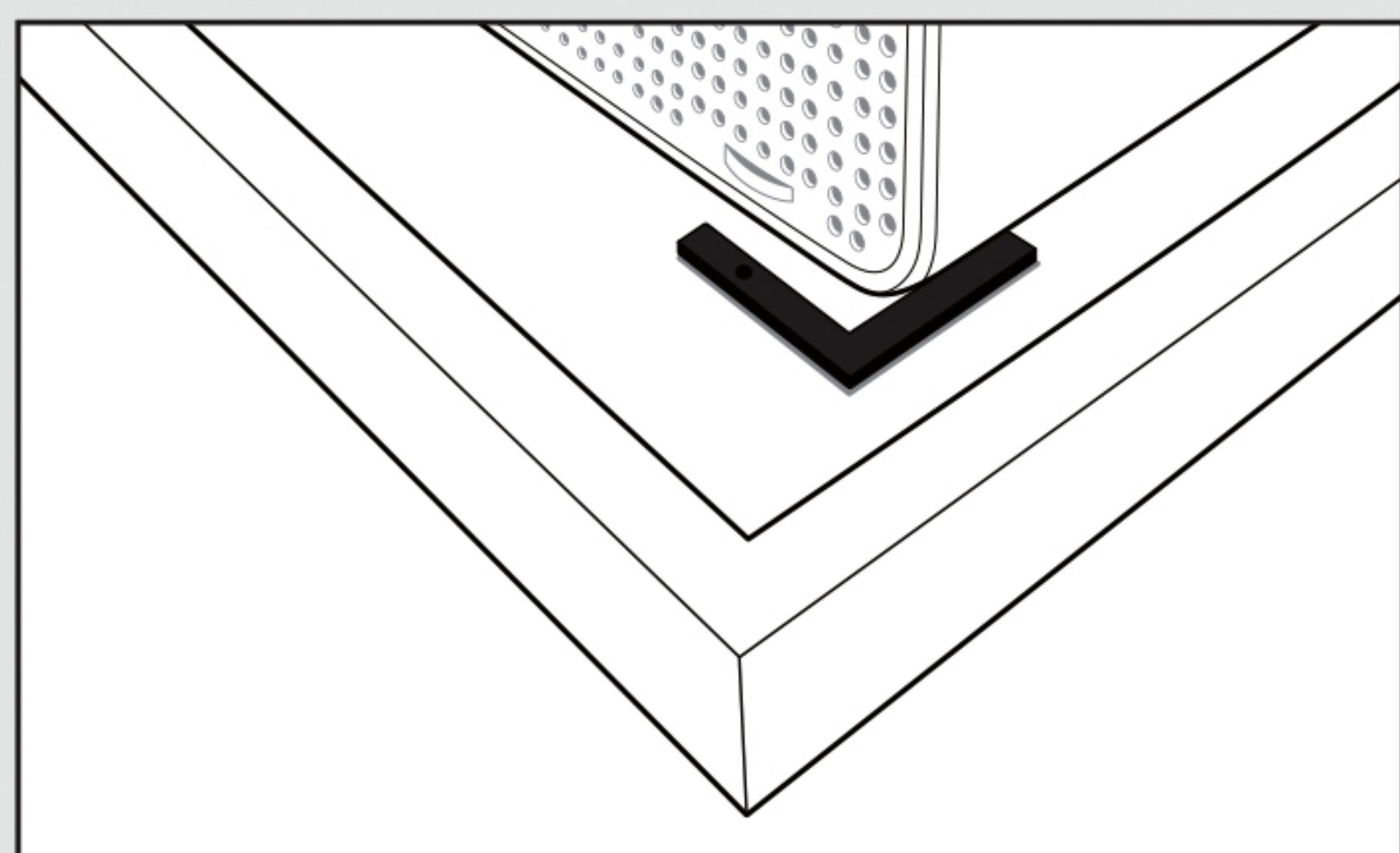
1 Connect the slider's USB cable to the projector for trigger operation

2 Connect the 12v power supply to the slider to provide power.

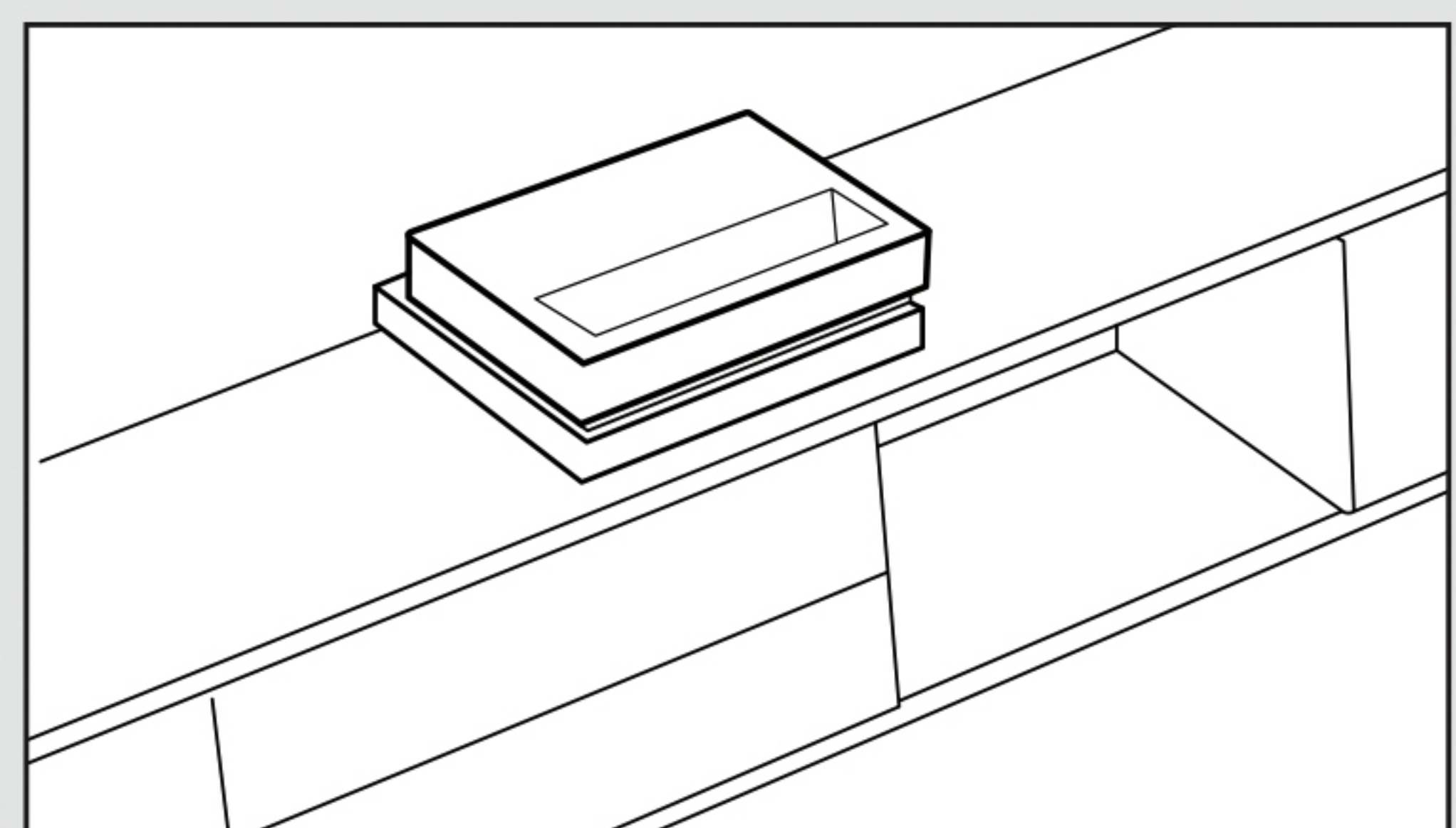


7 Adjust Projector Position

Use the L-Brackets to check and adjust the projector's position, if needed.



8 You're Done!



Important Notes About Your Slider:

Do not operate with the power on while installing the Slider. Be sure to check for power issues before using it.

Non-professionals are strictly prohibited from disassembling the product. If you discover faulty equipment prior to installation, please contact us for assistance.