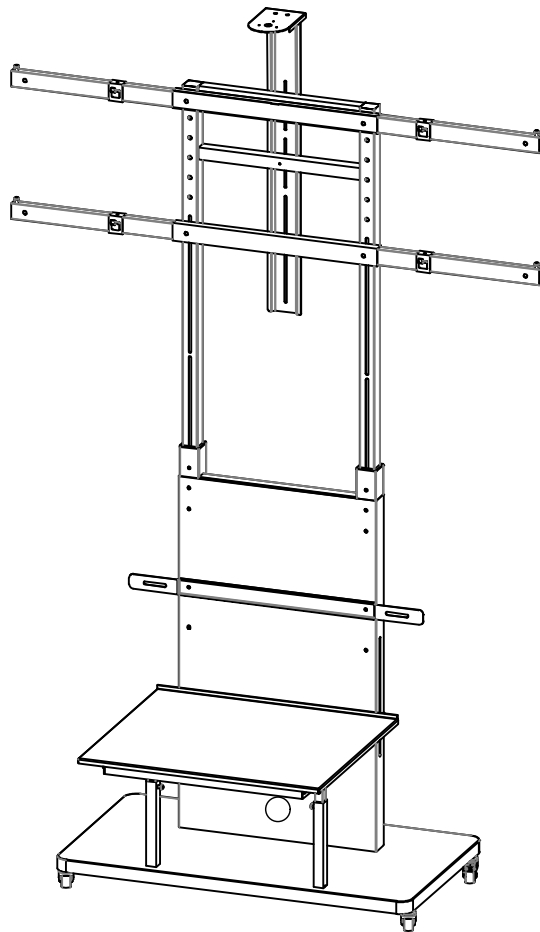


Mobilie Stand



Mode:S-120

Fits size:80"- 120"

Max Load:150kg (330.71bs)

Attention!

The instructions may not cover all the details when installation. Pictures shown are not the same as the actual item.

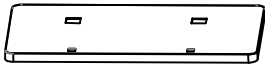
Please confirm the finished package when you receive. If breakage contact with the shipper.

Not the all the parts will be used.

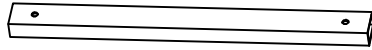
Installation according to the instructions or it will cause fall off the flat panel with wrong ways and producer will be not in charge of it and not within the scope of warranty.

This product includes mini items, please stay away from children. Forbidden load is beyond of max.

part list



Base 1X



Crossbar*2

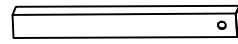


plate support bar(fix)*2



4 slide bar



upper column



1camera plate(optional)



camera support *1(optional)

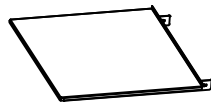
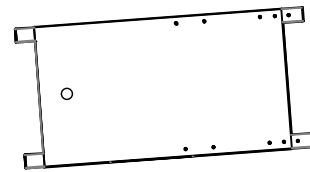


plate unite *1



bottom column*1

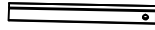
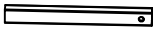


plate support (slide small) *2

plate support (slide big) *2

audio support*1(optiona)



Casters 4X

A- (M6x12)-2 pcs

E - (M6x60)-2 pcs

I - (5.0mm)-1 pcs

B- (M6x16)-4 pcs

F - (M6x80)-2 pcs

J - (6.0mm)-1 pcs

C- (M8x20)-8 pcs

G - (Ø16*Ø6*1.5)-14 pcs

K - (M6Hexagon nuts)-4 pcs

D - (M6x40)-4 pcs

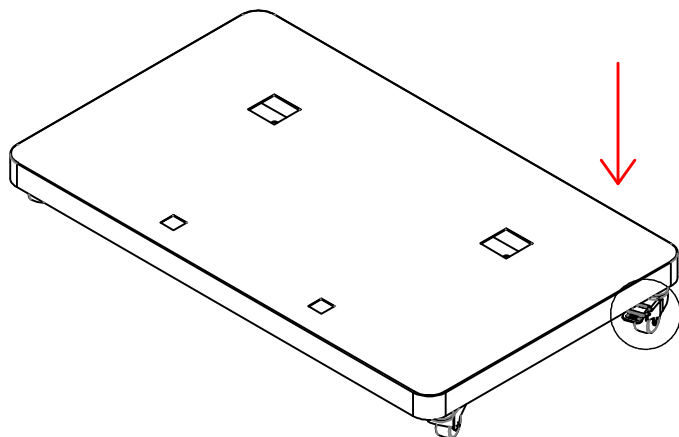
H - (Ø20*Ø8*2.0)-8 pcs

L - (10mm open end wrench)-1 pcs

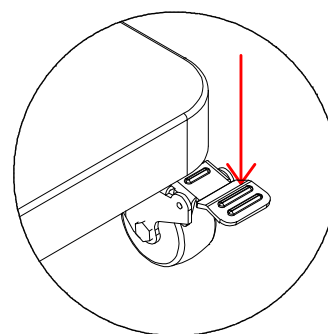
M - (M6x25)-4 pcs

step 1

Take out the base unite and install braked casters

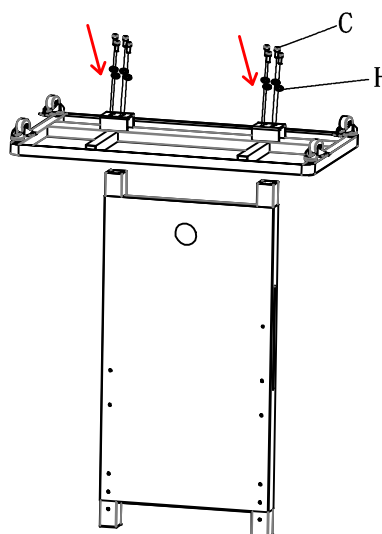
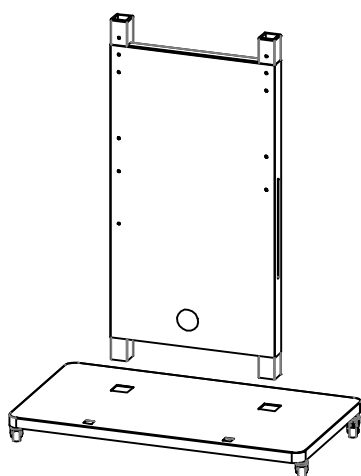


Press down

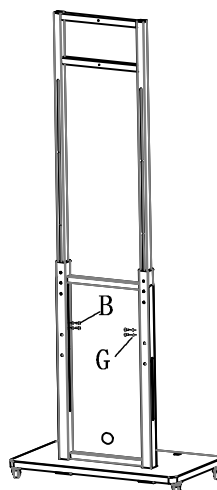
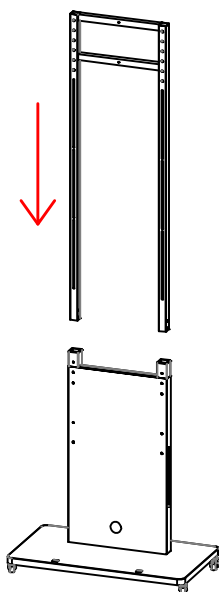


Attetion:
Casters can be adjusted to fix the uneven floor.

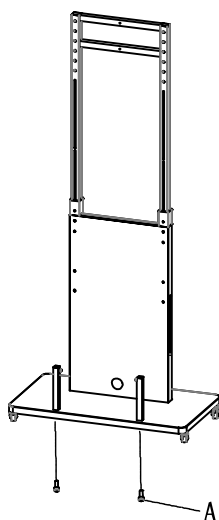
step 2 Insert the bottom column into the two holes of the bases then connect them with screws C and spacer E.



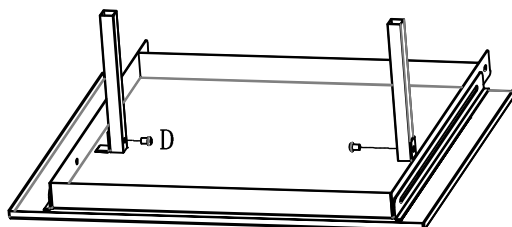
step 3 Take out the upper column and insert into the bottom column and adjust the proper height to connect with Screw B and spacer G



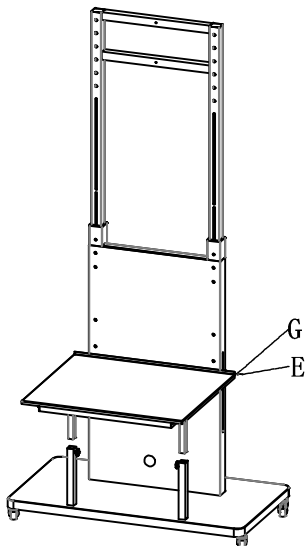
step 4 Take out plate support (fix) and insert into the two holes of base with screw A.



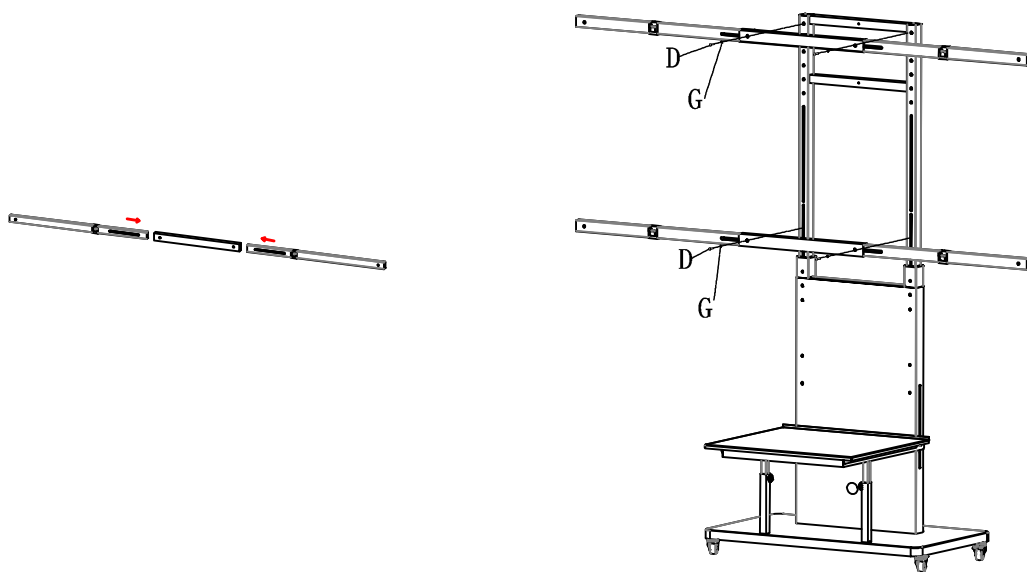
step 5 Take out the plate unite and plate support (slide big) to connect with screw D



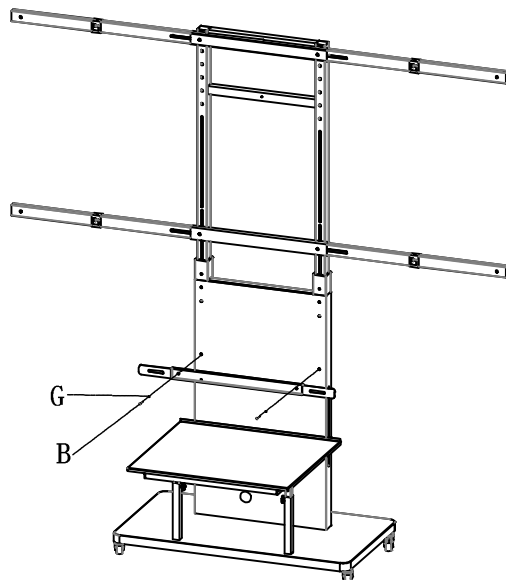
step 6 Insert the plate unite into the plate support (fix) and adjust the height to connect with screw E and spacer G.



step 7 Take out and insert slide crossbar into slide crossbar to connect with screw D/F and spacer G.



step 8 Insert audio support into the bottom column to connect with screw D and spacer G.



step 9 Connect camera plate and camera support then insert into the holes of upper column and screw them tightly.

