

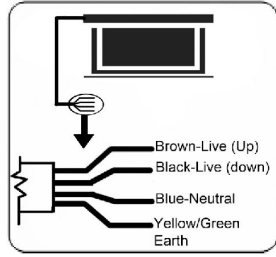
Electric Projection Screen Installation and Usage Guide

Product Power Specifications

Voltage: 100V~120V 60Hz

220V~240V 50Hz

Power: 130W (MAX)



Important Notices:

1、 When the screen is not in use, please retract it into the housing. During retraction, carefully inspect the screen surface to ensure it is free from insects, dust, and other foreign objects before rolling it back.

2、 During continuous operation, the screen should not be scrolled up and down for more than 4 minutes. Extended operation may lead to motor overheating, triggering automatic protection mode, and stopping the operation. If continuous use is necessary, wait for the motor to cool down (approximately 10-15 minutes for non-tubular motors) before resuming operation.

To ensure optimal projection performance, observe the following guidelines: 3.1. Avoid touching the surface of the screen with hands. 3.2. Refrain from making random drawings or markings on the screen. 3.3. Do not use hard objects that could scratch the screen. 3.4. Use a clean cotton cloth or a soft brush to gently remove foreign particles from the screen.

Hanging Installation Method:

Please remove the factory-fixed screws first and install them into the hanging ring.

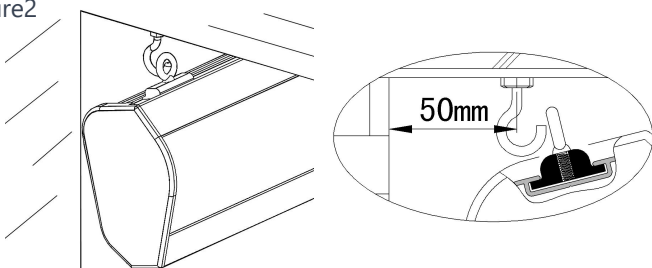
According to the required installation hanging distance, move the hanging slider to the corresponding position and screw the hanging ring into the slider.

The tightness should be adjusted to ensure that the slider cannot move left or right.

The suspension ring is threaded into the installation hook.

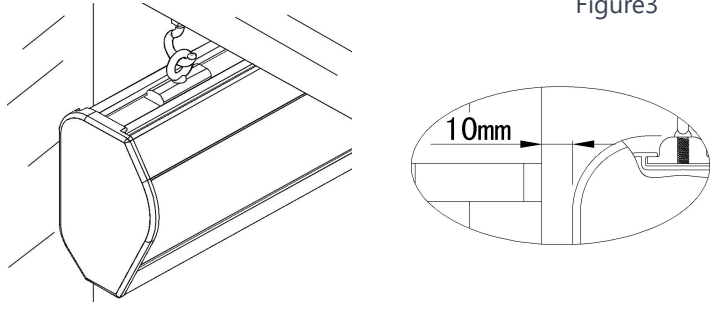
Tilt the screen housing upward to facilitate the entry of the suspension ring into the hook. When installing the hook, please ensure that it is not too close to the wall, leaving sufficient space for accommodation. The center of the hook should be approximately 50mm away from the wall.

Figure2



After the hanging installation is completed, the distance between the housing and the wall is approximately 10mm.

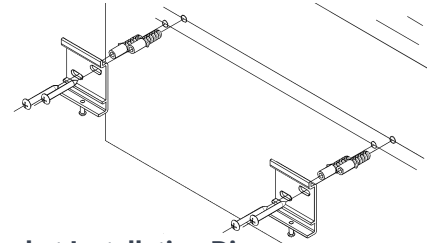
Figure3



Wall Mounting Installation Method:

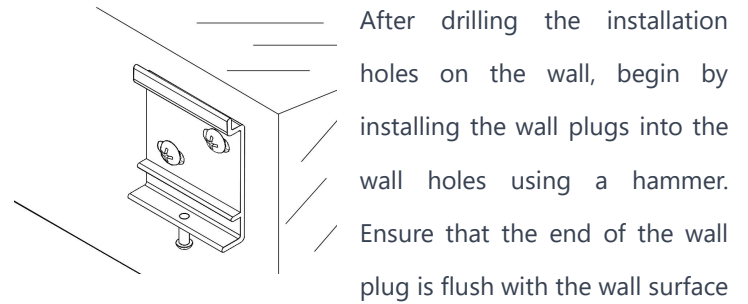
Regardless of the installation method, please start by measuring the desired installation position, confirming the installation height, distance, and center position for projection. After determining the installation position, mark the horizontal position of the installation accessories on the wall, either by drawing a horizontal line or making a mark with a pencil. Then proceed to drill the installation holes.

Figure4



Wall Mount Bracket Installation Diagram

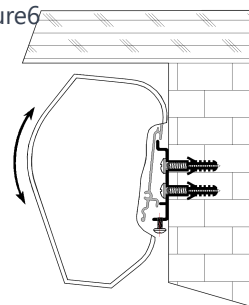
Figure5



After drilling the installation holes on the wall, begin by installing the wall plugs into the wall holes using a hammer. Ensure that the end of the wall plug is flush with the wall surface and not protruding. Then, use screws to horizontally secure the mounting bracket onto the wall.

The screen and wall mount bracket coordination.

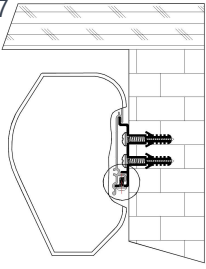
Figure6



The screen tilts forward, and the wall mount bracket enters the installation groove at the back of the screen housing. At the same time, the screen is positioned vertically against the wall, and the screen's retaining groove engages with the screw-fixed slot on the wall mount bracket.

Secure the housing

Figure 7



Tighten the screws on the mounting bracket into the screen's retaining groove, preventing it from detaching from the wall mount bracket; otherwise, there is a risk of the screen falling.

Wireless Remote Control Electric Screen Operation

The wireless remote control transmitter is equipped with three buttons: Up \blacktriangle Down \blacktriangledown and Stop \square . Both manual and wireless control have preset travel limits for upward and downward movements. Once the screen reaches a specified position, it will automatically stop functioning. The wireless control system also features intelligent power-off functionality, which automatically cuts off the power after a few minutes of inactivity, entering a self-preservation state.

