

***Fresnel Ambient Light Rejection
Fixed Frame Projection Screen -120 Inch
Instruction Manual***

*Thanks for Choosing the 120 inch fresnel ALR fixed frame projection screen.
Please read this manual carefully before installation and use.*

Contents

- Disclaimer2
- All Rights Reserved2
- Compliment 2
- Screen Maintenance3
- Caution 3
- Screen Repair4
- Vision Protection4
- Packing List5
- Assemble the Screen7
- Mount on the Wall15
- FAQ20

Disclaimer

The company makes no representations or warranties, express or implied, regarding the contents of this document.

The company reserves the right to revise this publication and to modify the content of this document at any time without notice to anyone. Please refer to your order requirements for the screen model.

All Rights Reserved

No part of this publication may be reproduced, transmitted, or transcribed in any form, stored in a retrieval system, or translated into any language or computer language without the prior written permission of the Company.

Compliment

Thank you for choosing 120" Fresnel ALR Projection Screen .

This product is made of environmentally friendly optical materials, with "Fresnel optical structure" as the core, and all indicators are at the international advanced level.

The appearance is made of nylon cloth, with a professionally designed aluminum alloy frame, making the screen a work of art in your home.

With UST Laser (or LED) projector, it is not limited by the use of ambient light, allowing you to enjoy the perfect

picture quality of the home theater.

In order to fully understand the characteristics of this product and achieve the best results, please read this manual carefully before use, and please keep it properly for future reference.

Screen Maintenance

During use, you can use a dust-free cloth dipped in alcohol to wipe the screen and frame or a dust-free soft cotton cloth to wipe dust and other dirt.

Caution

Do not place this product on an unstable cart, tripod or table. If the product falls to the ground, it may cause serious damage and hurt people.

Do not use hard objects to scratch, touch the screen or directly contact the front of the screen with hard objects.

Do not expose the screen to sunlight

Do not place the screen near flammable, explosive and other dangerous items.

Screen Repair

Do not attempt to repair this product by yourself, please entrust professional technicians to repair it.

Vision Protection

Watching with incorrect glasses for a long time, as well as glare, too strong indoor lighting, poor screen focus, and small fonts can all cause stress on the eyes. The following suggestions are for your reference:

When you need to watch a show for a long time

Please rest your eyes frequently.

Let your eyes always look away from the monitor, look at a certain point in the distance, and let your eyes rest.

Blink frequently to avoid dry eyes.

Keep the screen clean

Reduce glare and reflections:

Place the screen so that its side faces a window or light source.

Use windows, shades or blinds to reduce indoor light.

Packing List



1.Screen *1



2.User guide*1



3.Leaf spring *18



4.T-Nut *18



5.Bolt *18



6.Elbow joints*4

(inner frame)



7.Inner splice joint *2



8. Frame connector*2

(inner frame)



9.Inner frame* 6



10.Outer frame* 6



11.Tie pole*6



12.Center bar* 2



13.Middle support

joint*2

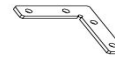
(outer frame)



14.Corner support

joint*4

(outer frame)



15. Elbow joints*4

(outer frame)



16.Outer frame

splice joint*2



17.Fiberglass pole*6



18.Screws *90

(M4x6)



19.Velcro*3



20.Expansion screws*6

(M8x70)



21.Non-woven Cloth*1



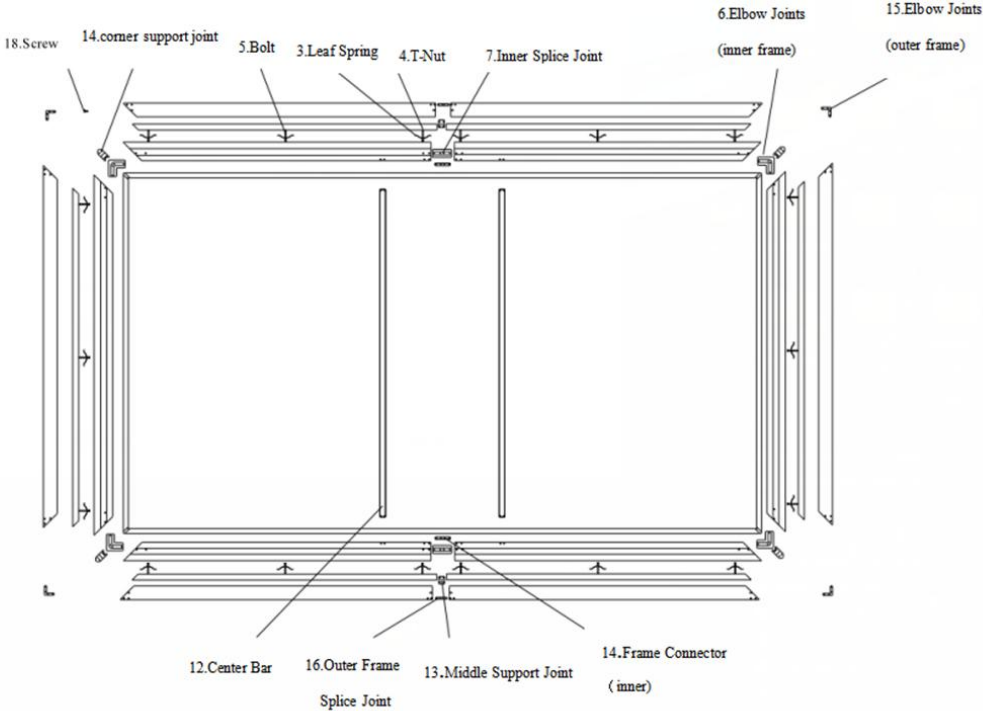
22.Wall brackets*3



23.White gloves*2

Note:The spare parts in this manual is only a schematic diagram, please reference the actual product purchased.

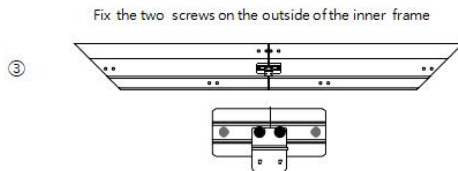
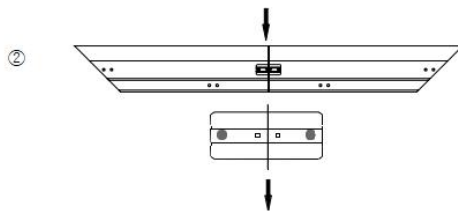
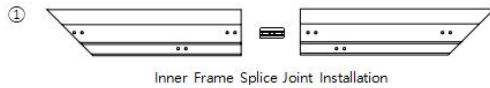
Exploded Views



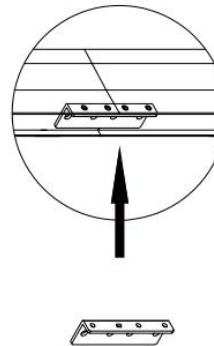
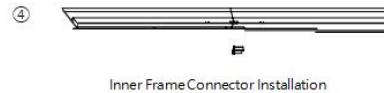
Assemble the Screen

Tips: Lay the PE film prepared in the packing box on a clean flat ground, and assemble the inner frame on the PE film

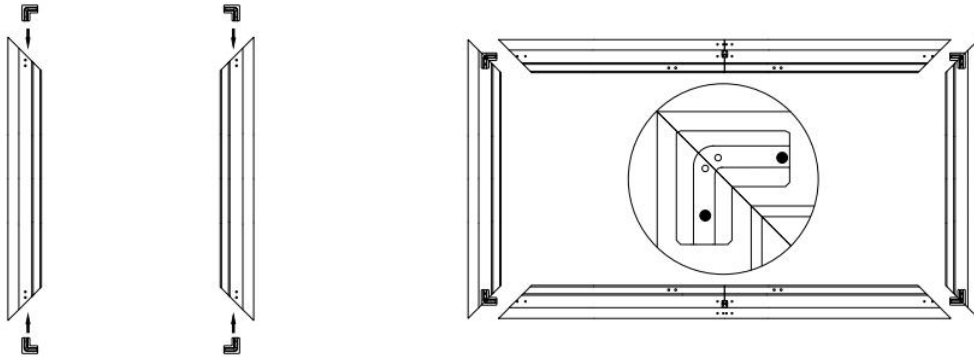
1. Splice the long-side of the inner frame and fix it with (M4*6) screws



Align the outer frame middle support joint with the inner frame splice joints threaded holes.



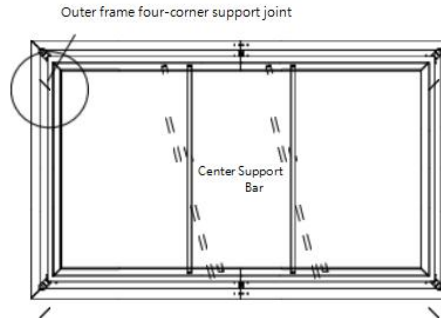
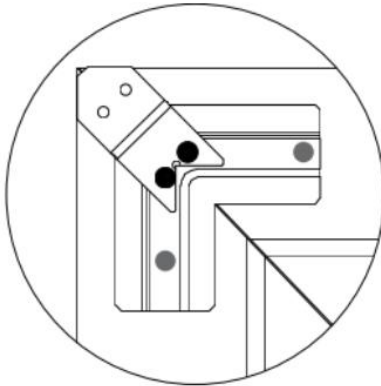
2. Splice the Elbow Joints (inner frame) and the inner frame, use (M4*6) screws to fix the two outer screws of the Elbow Joints (inner frame).



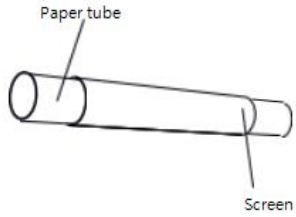
3.Align outer frame four-corner support joint with the threaded holes of Elbow Joints (inner frame) and fix the two screws in the middle of the Elbow Joints (inner frame) with (M4*6) screws.

4.Screw the center support bar obliquely into the mounting hole of the inner frame, and fix it with (M4*6) screws.

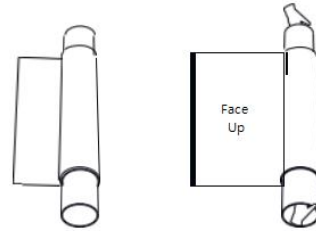
Note: Pre-fix first, then tighten them last



5. Lift screen out of box



6. Unfold the screen on the pad and check the surface of screen.



7. Forbidden to overturn



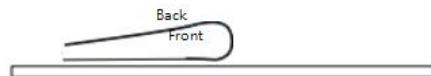
8. The pair are on both sides of the screen width direction, and flip the screen to face down in the order shown.

Note: Control the range and strength of the action to prevent the screen from bending.

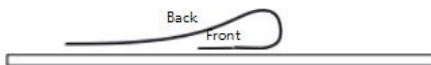
①



②



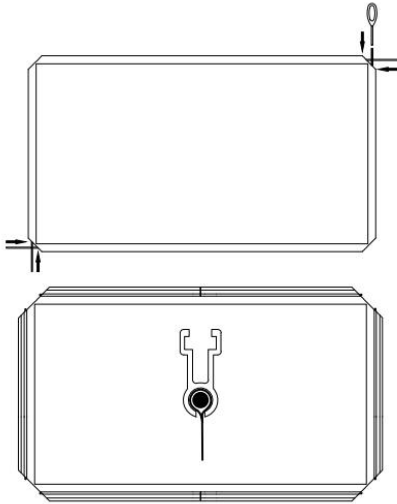
③



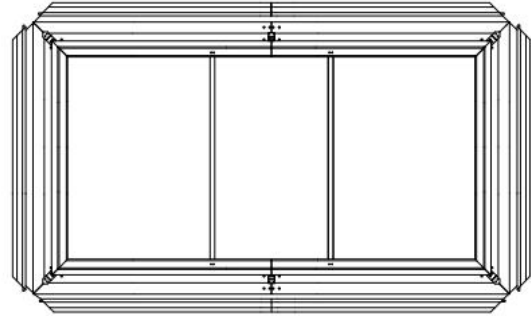
④



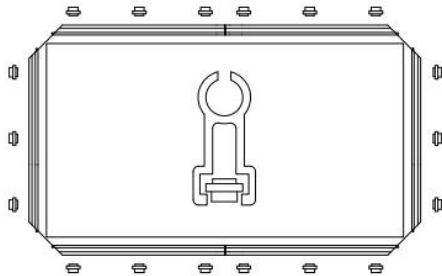
9. Insert the fiberglass pole and tie pole into the four sides of the curtain, pay attention to distinguish the long and short sides.



10. The pair lift the inner frame horizontally and put it on the screen base fabric, adjust the position of the inner frame to make it centered.



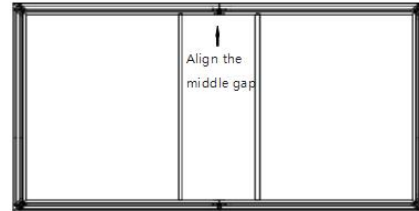
11. Insert the T-nuts into the corresponding positions of the tie rods respectively, and pay attention to distinguishing directions



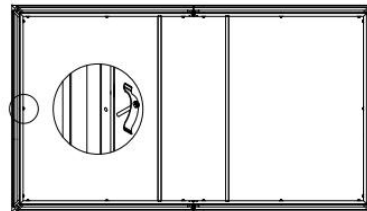
Notice:

1. When the long-side tie poles are turned over and aligned, it is necessary to check whether the middle splicing is aligned.
2. The leaf spring nut needs to be carried out in strict accordance with the two steps of pre-installation and tightening, and follow the sequence of synchronous tightening of the short side first and then the long side.

12. Flip the tie pole 180° towards the inner frame of the screen and align it in the center.



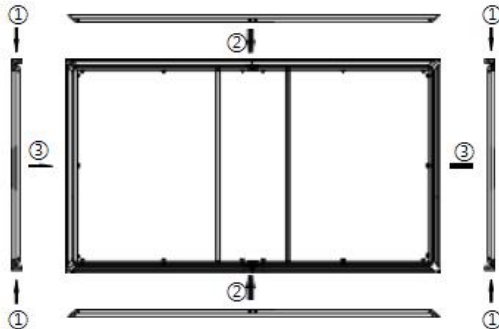
13. Pre-install all leaf springs and nuts from the inside of the inner frame to the corresponding holes. According to the order of the short side first and then the long side, the two persons tighten the nuts synchronously until they are tight.



14. Splice the long sides of the outer frame with Outer frame Splice Joint and fix them with screws (m4×6).

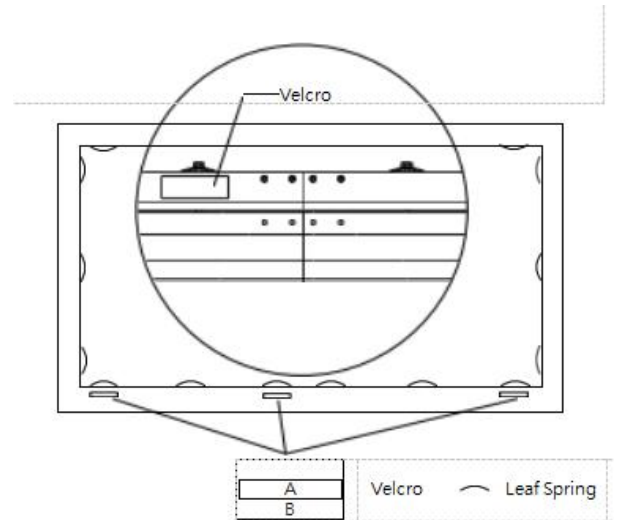
15. Insert the Elbow Joints (outer frame) into the short side of outer frame and pre-fix with screws (m4×6). The outer frame on the long side is snapped into the inner frame, and then the outer frame on the short side is snapped in.

Fix the outer frame, outer frame four-corner support joint and the middle support joint with screws (m4×6).



14

16. Remove the release film on the side A of the Velcro, and paste the three pieces of Velcro on the area shown in the Image.

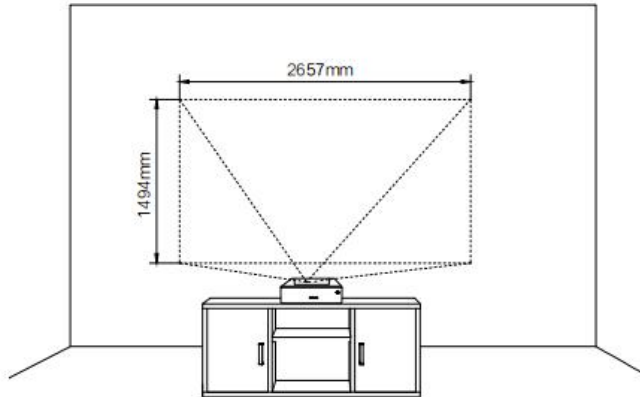


Mount on the Wall

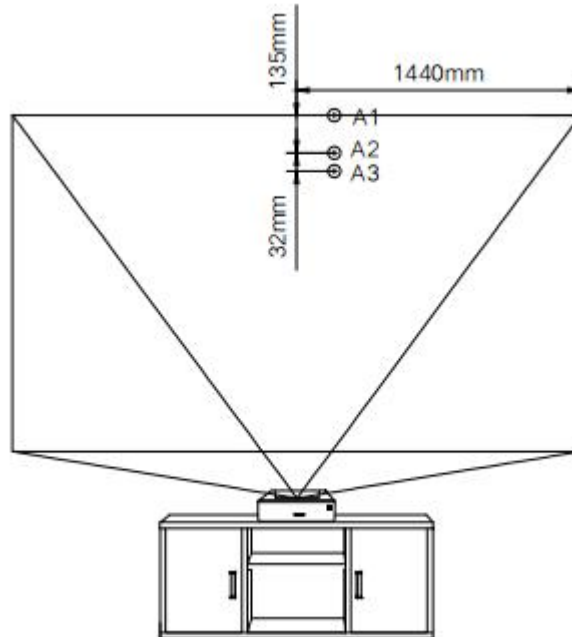
This installation method is only for Fscreen UST fixed frame screen, Please use this method cooperation with the projector installation manual during installation.

Please confirm the wall can drilling hole and the wall bearing more than 50kg before installation.

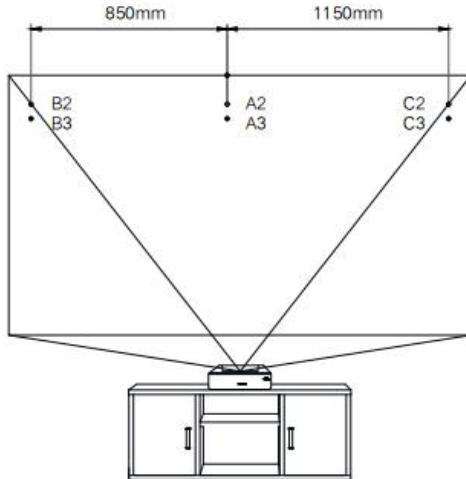
1. Project a rectangular picture in the center of the installation position, and use a tape measure to determine that the bottom edge of the projected picture is about 2657mm long to ensure that the bottom edge of the picture is level.



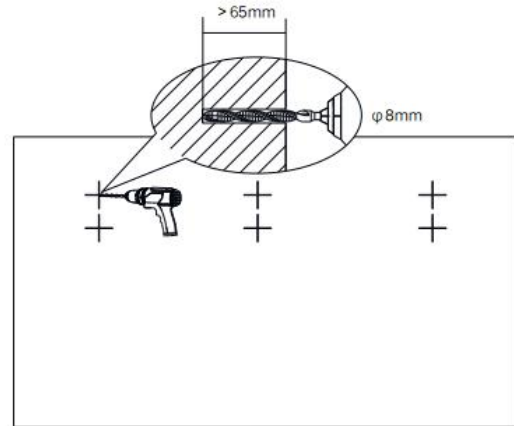
2. Mark the drilling position, take the fixed edge of the picture from right to left (1440mm) and mark it as the reference point A1, A1 vertically downward 135mm as the drilling point A2; A2 indicates the drilling point A3 that located 32mm vertically downwards;



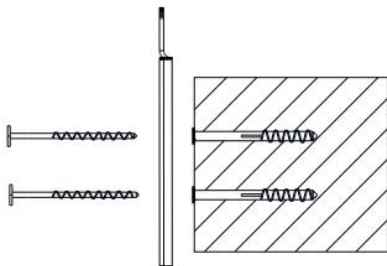
3. Based on A2 and A3, mark and drill holes at 850mm to the left B2 and B3, and mark and drill holes at 1150mm to the right C2 and C3.
Note: A2, B2, and C2 must be on the same line, and A2, B3, and C3 must be on the same line



4. Use a drill bit to drill holes at the 6 drilling points. The drill bit diameter is required to be 8mm, and the drilling depth is not less than 65mm.

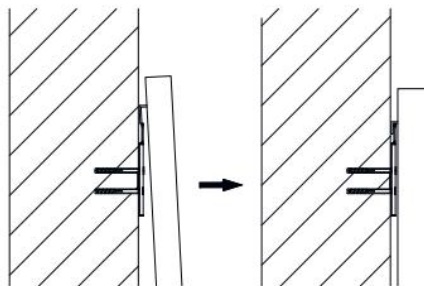


5. Install the expansion screws, pass the expansion screws through the fifth and ninth holes on the wall hanging, and fix the wall hanging on the wall.

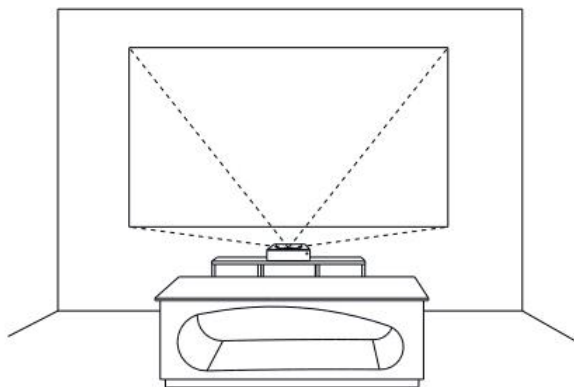


6. Insert the screen hook into the wall hanger, please tilt the screen outward slightly (about 3 degrees) when installing the screen, and then release it gently.

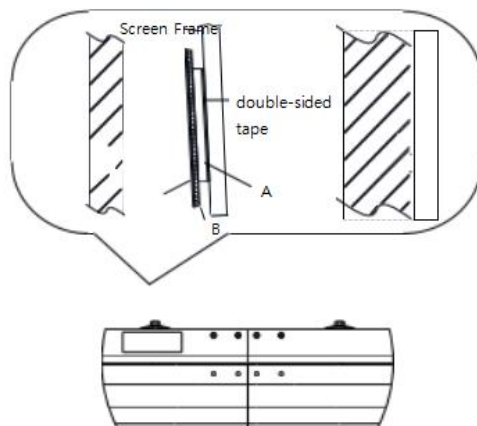
*If the height of the screen is not suitable, you can re-adjust the hole position of the wall hanging.



7. Check whether the projection screen is full and the display effect is normal.



8. Remove the large piece of magic stickers double-sided adhesive at the bottom of the screen, put the screen back, and press it against the wall. The installation is completed.



FAQ

1.What is the material of the screen?

This product is composed of aluminum alloy frame, polymer resin (including multi-layer optical structure and nano particles), and nylon.

2.The weight of the screen:

The net weight of the screen itself is 18kg, and the total weight including packaging is 33kg.

3.Use environment:

Indoor use temperature: -10 degrees to 45 degrees, humidity: 50±20%RH

This product is an optical screen, which contains multi-layer optical structures and nanoparticles, which can effectively absorb ambient light and greatly improve the contrast and color saturation of the screen display in a bright room environment. You can watch movies and TV indoors with lights on and natural light. But it is not recommended to use it in outdoor sunlight.

4.Storage conditions:

Storage temperature: -20°C~60°C Storage humidity: 30~70%RH

5.Screen maintenance:

Usually do not touch the surface of the screen with your hands to avoid leaving fingerprints or oil marks. If there is dust or stains, please use a clean, soft, lint-free cloth with a small amount of neutral detergent to gently wipe the stains to wipe the surface of the screen.

6.Can I install the Screen by myself?:

Yes, you can install it by yourself according to the user manual or installation guide video. Expect 2 people to take 1-2 hours to build the screen.

7.Why does the screen display abnormally and very dark?:

NOTICE: The screen has a difference in the up and down direction, read the install guidance carefully before and confirm the screen is installed in the correct direction.

8.Projector adaptation:

This product is developed for Ultra Short Throw Projector (Support 8K Resolution,Tri-Chrome,HDR,3D)