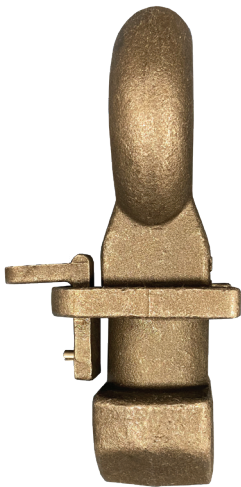
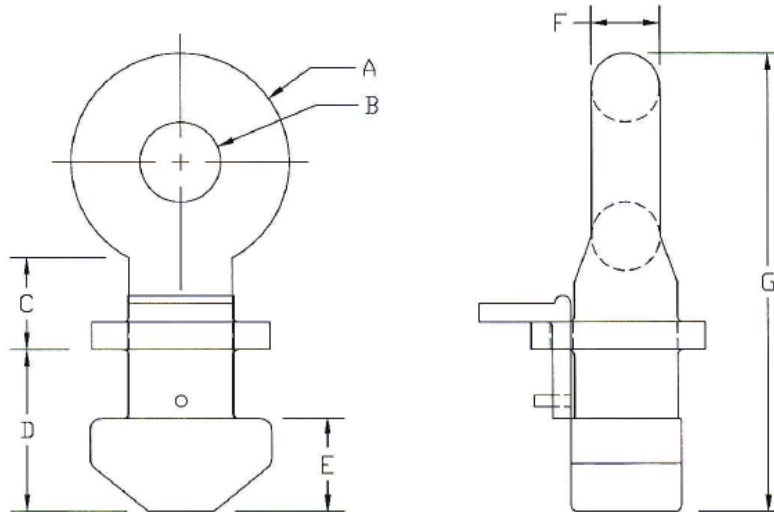
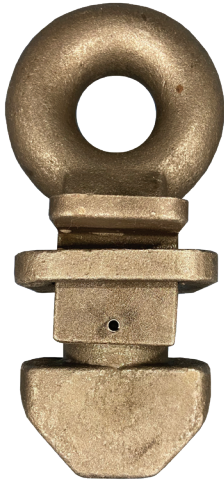
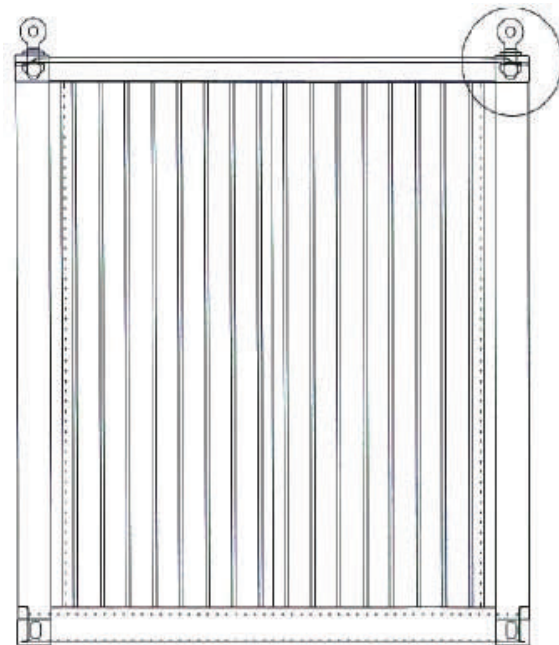


## ISO Top Lifting Lug



*This item can be used to lift containers when a forklift has limited access to the container forklift pockets*



◀ APPLICATION LIFTING LUG

### STANDARD PRODUCT FEATURES

- Forged Steel
- Capacity safe working load 40 Tons per set (for top lifting only).
- Compatible with all ISO type Containers
- High Strength Construction
- Designed for lifting containers when the spreader bar can not be properly aligned
- Locking ring prevents accidental turning after installation

082423-R00

ISO 9001



CERTIFIED QUALITY MANAGEMENT SYSTEM

### DIMENSIONAL INFORMATION

	A	B	C	D	E	F	G	TARE WEIGHT
Inches	4.75" D	1.75" D	2"	3.5"	2"	1.5"	10"	15 Lbs
Metric	121	45	51	89	51	38	254	6.8 Kg

ALL DIMENSIONS AND WEIGHTS ARE NOMINAL AND SUBJECT TO MINOR VARIATIONS THAT MAY OCCUR DURING THE MANUFACTURING PROCESS